

1

2

3

4

5

6

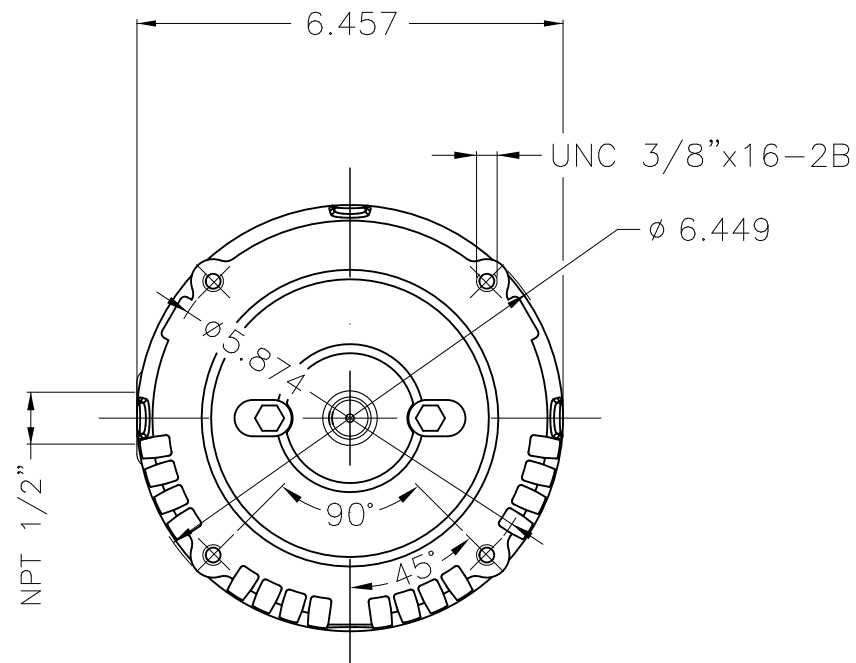
A

B

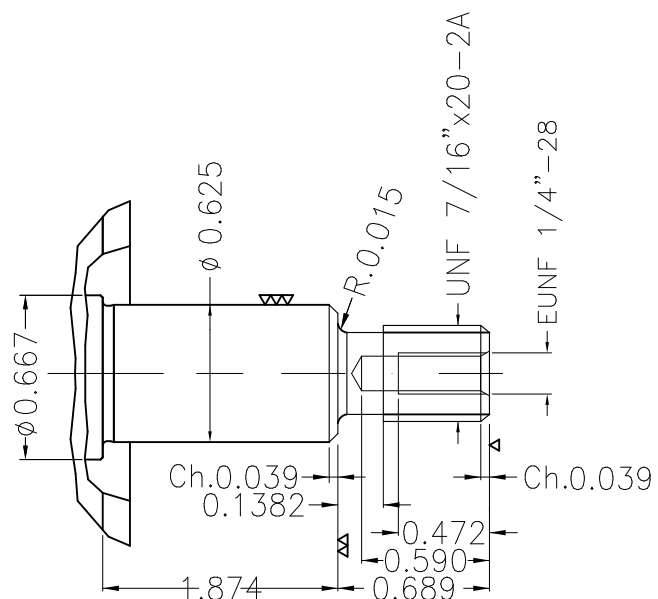
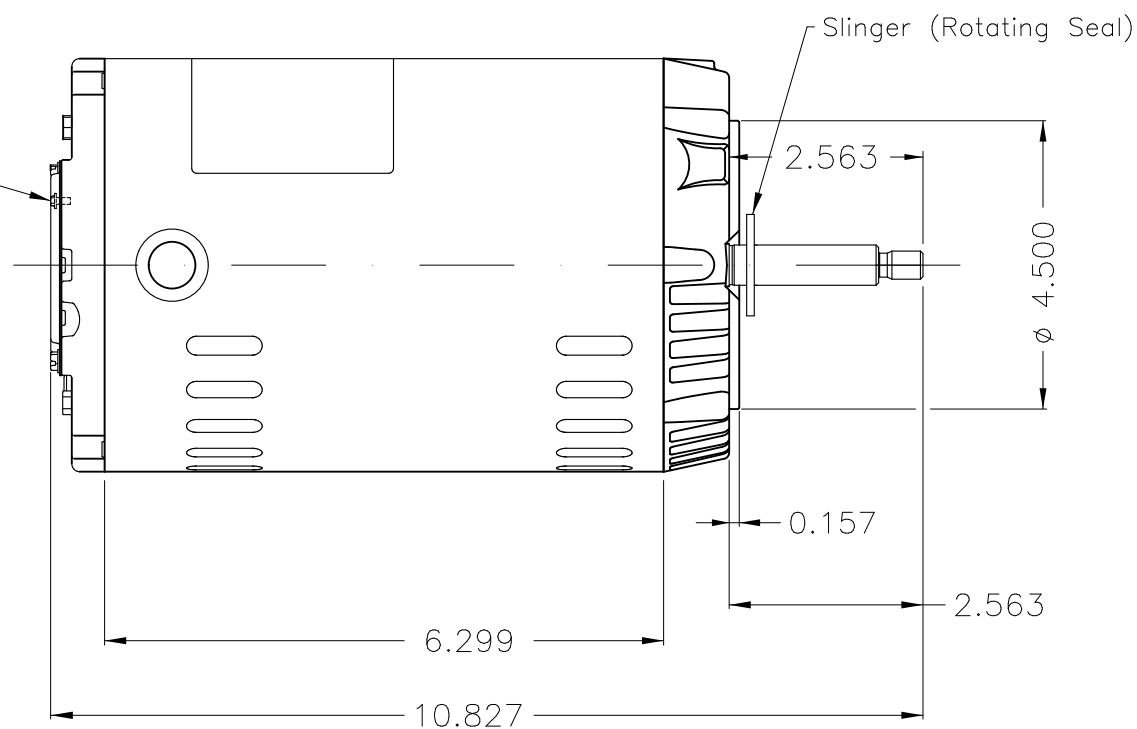
C

D

E



Grounding



Color Munsell N 1 matte black
Painting plan 207N
Mounting F-1/B14R(D)

ECM	LOC	SUMMARY OF MODIFICATIONS	EXECUTED	CHECKED	RELEASED	DATE	VER
EXECUTED	HYBRISUSER	THREE PH. MOTOR ROLLED STEEL JET PUMP THREADED					
CHECKED		FRAME 56J IP21 ODP					
RELEASED							

HYBRISUSER 00

WDD 00

PREVIEW

REL. DATE WMO Jaragua do Sul Product Engineering SHEET 1 / 1

0.5 HP 02 Poles 60 Hz

A

Dimensions in inches

XME A3

