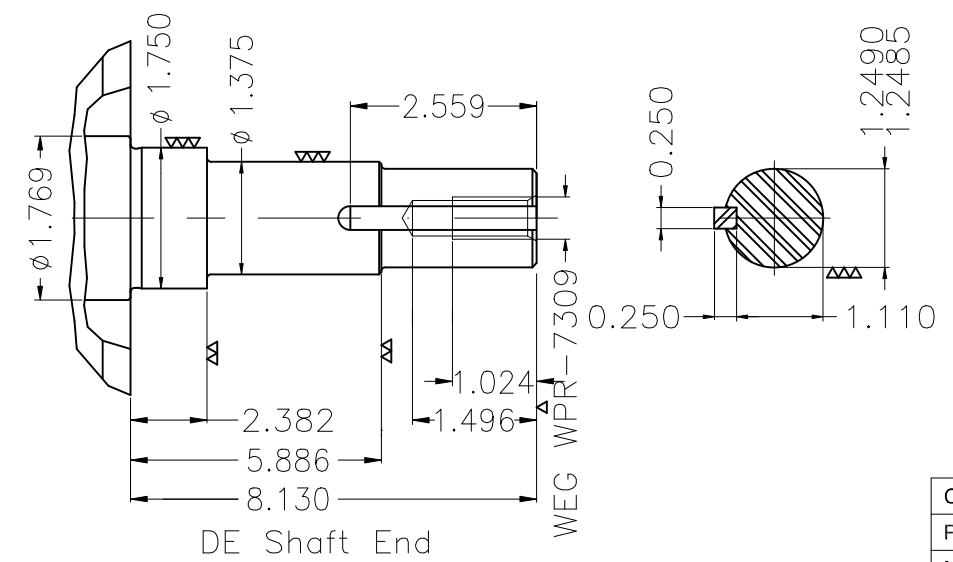
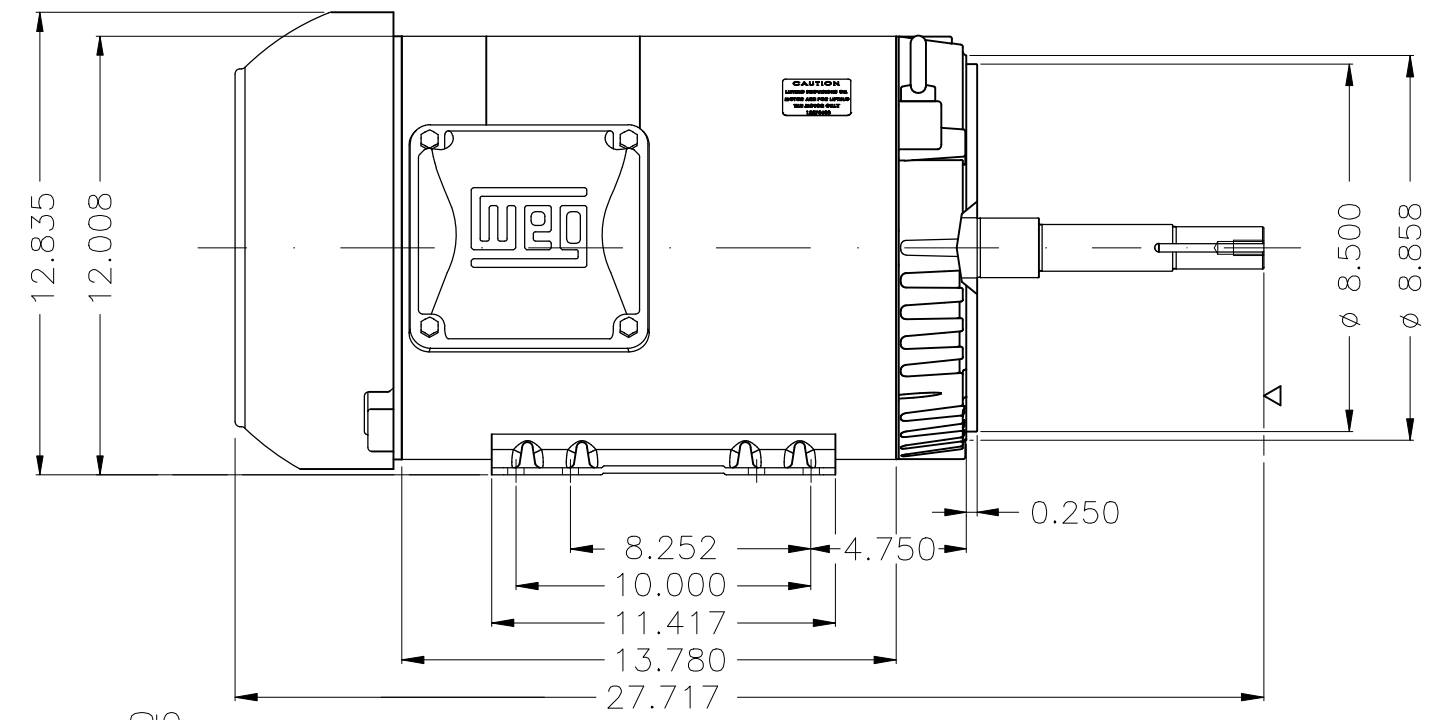
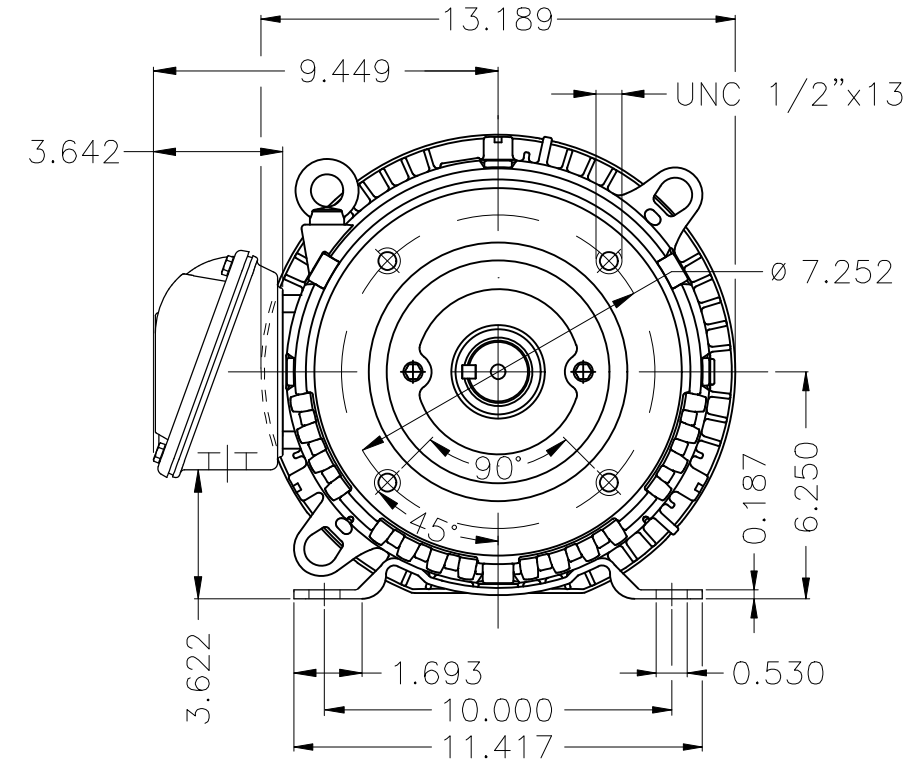
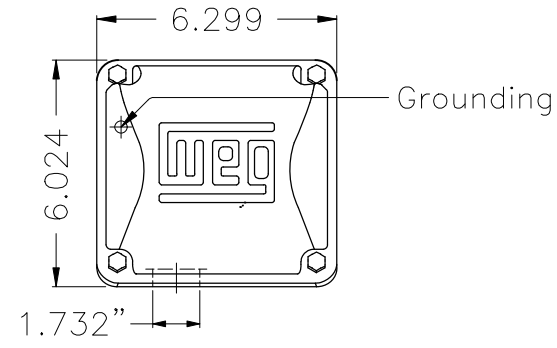


1 2 3 4 5 6

A  
B  
C  
D  
E



EUNC 1/2"-13 WEG WPR-7309

Color Munsell N 1 matte black					
Painting plan 207N					
Mounting B34D					
				HYBRISUSER	00
ECM	LOC	SUMMARY OF MODIFICATIONS	EXECUTED	CHECKED	RELEASED
EXECUTED	HYBRISUSER	THREE PH. MOTOR ROLLED STEEL JP NEMA PREM. EFF.			
CHECKED		FRAME 254/6JP IP55 TEFC			
RELEASED					
REL. DATE	WMO	Jaragua do Sul	Product Engineering	WDD	00
			SHEET	1 / 1	

20 HP 02 Poles 60 Hz



Dimensions in inches XME A3