

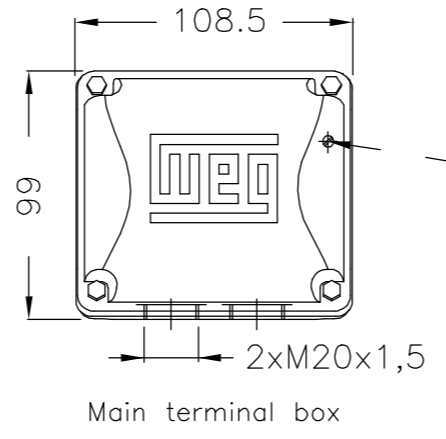
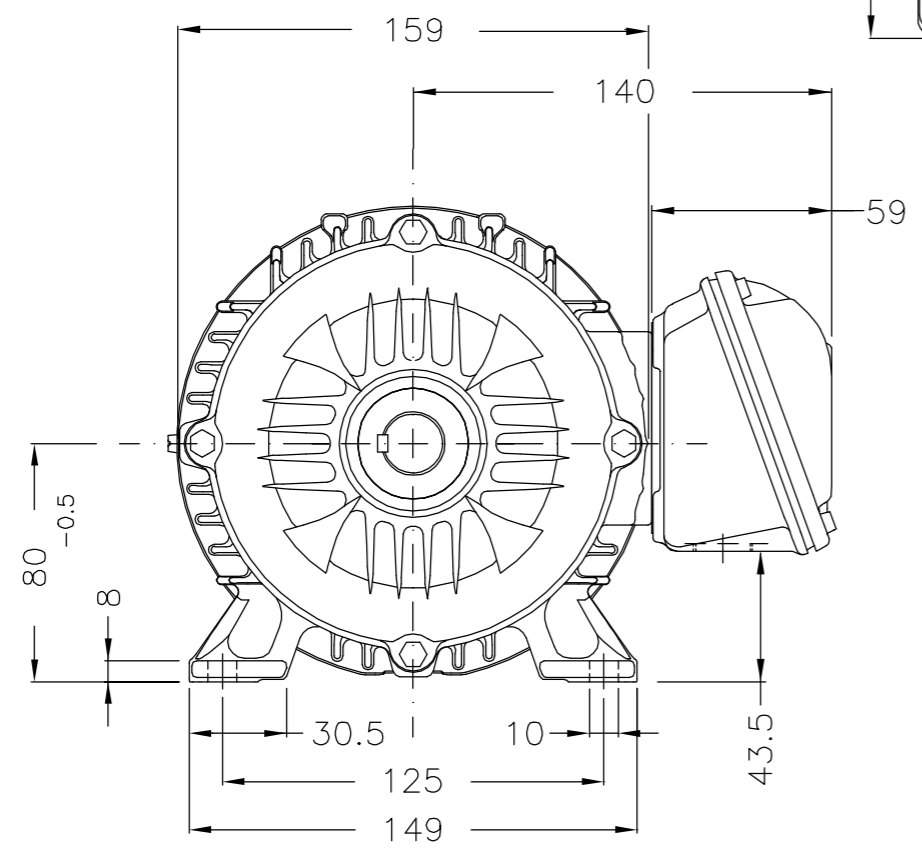
EIXO/SHAFT	
PADRÃO/STANDARD	X
OPCIONAL/OPTIONAL	
ESPECIAL/SPECIAL	

Dimensões em mm
Dimensions in mm

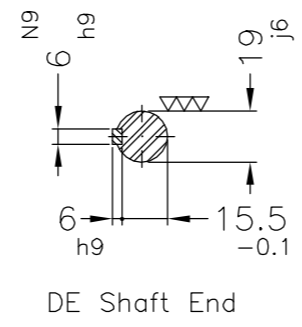
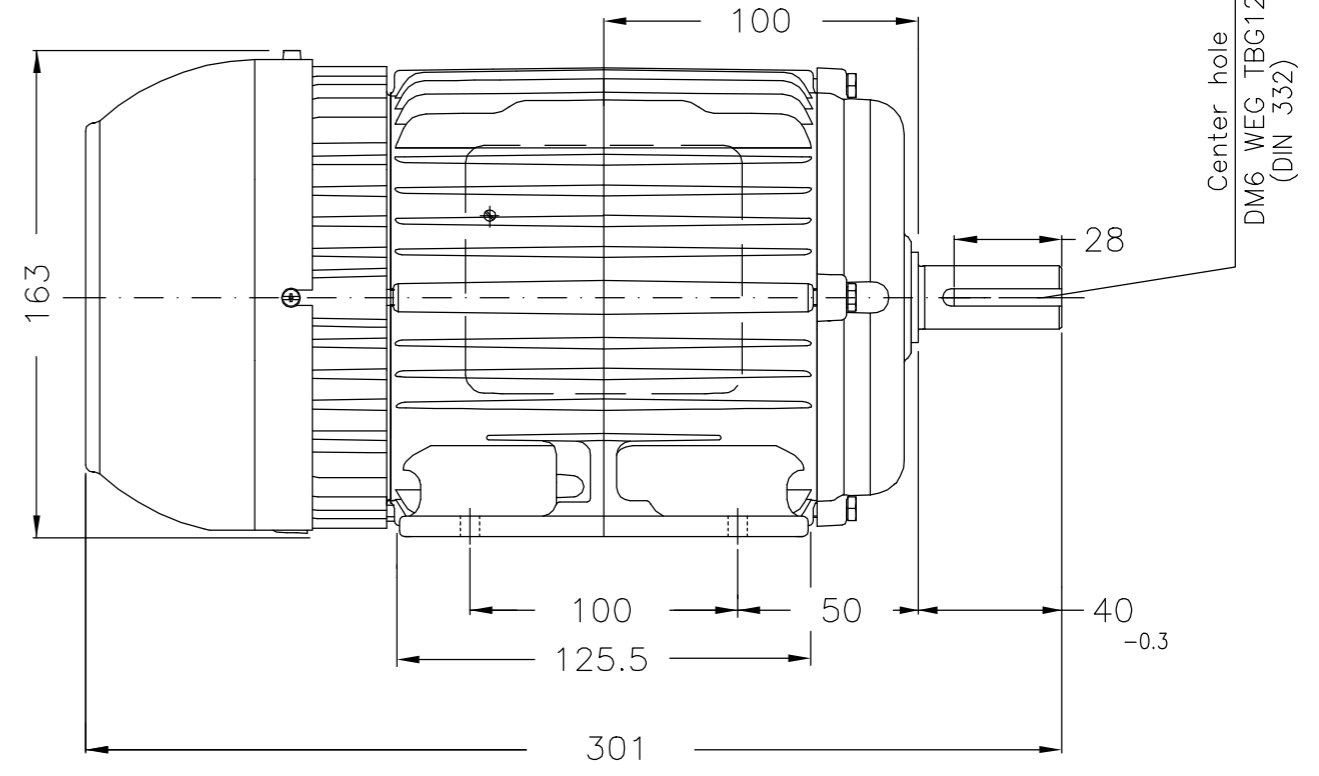
CERTIFIED WEG MOTORES
Certified document.
Not subject to changes.

THIS IS AN UPDATED REVISION, THE PREVIOUS ONE MUST BE DISREGARDED.

A
B
C
D
E



Grounding for leads 0.5–6 mm² / 20–10 AWG



Cor RAL 5009 / Color RAL 5009						
Plano de pintura 207A / Painting plan 207A						
Forma construtiva B3E / Mounting B3L(E)						
V.J. PAMENSKY CANADA INC.						

414934940-ELE.	
ECM	LOC
EXECUTED	NSCHMIDT
CHECKED	DANIELAW
RELEASED	DANIELAW
REL DT	30.01.2018

500001636065	ALTERADO CFME CLAIM 415337397	SCATOLIN	JACKSONDC	JACKSONDC	24.08.2019	01
500001409120	DOCUMENTO NOVO	NSCHMIDT	DANIELAW	DANIELAW	30.01.2018	00
EXECUTED	LOC	EXECUTED	CHECKED	RELEASED	DATE	VER
EXECUTED	NSCHMIDT	THREE PHASE W22 TRU-METRIC PREMIUM EFF			10005497804	
CHECKED	DANIELAW	FRAME L80 IP55 TEFC			000 01	
RELEASED	DANIELAW	Jaragua do Sul			SHEET 1 / 1	
REL DT	30.01.2018	WMO	Product Engineering			

1 HP 04 Poles 60Hz 414935861/0

UNCONTROLLED COPY RELEASED ZME A3