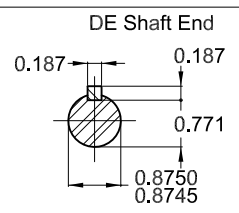
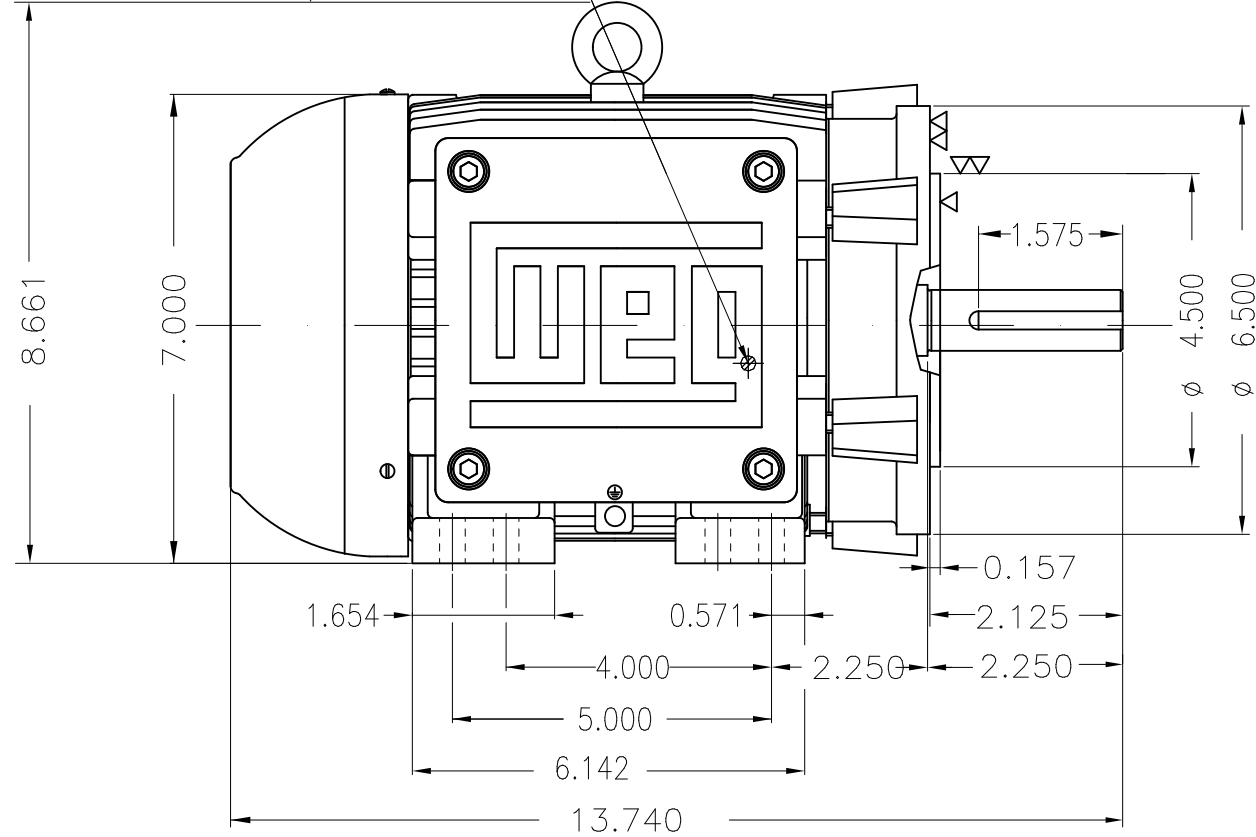


Grounding for leads 0.5–6 mm² / 20–10 AWG



Color RAL 5009
 Painting plan 202P
 Mounting NEMA F-1
 Mounting B34R(D)

1 HP 04 Poles 60 Hz A

						HYBRISUSER								00		
ECM	LOC	SUMMARY OF MODIFICATIONS				EXECUTED	CHECKED	RELEASED	DATE	VER						
EXECUTED	HYBRISUSER	THREE PH. MOTOR EXPLOSION PROOF NEMA PREM. EFF.		FRAME 143/5TC IP55 TEFC		PREVIEW		WDD 00		SHEET 1 / 1						
CHECKED		WMO Jaragua do Sul		Product Engineering												
RELEASED																
REL. DATE																