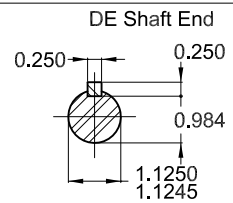
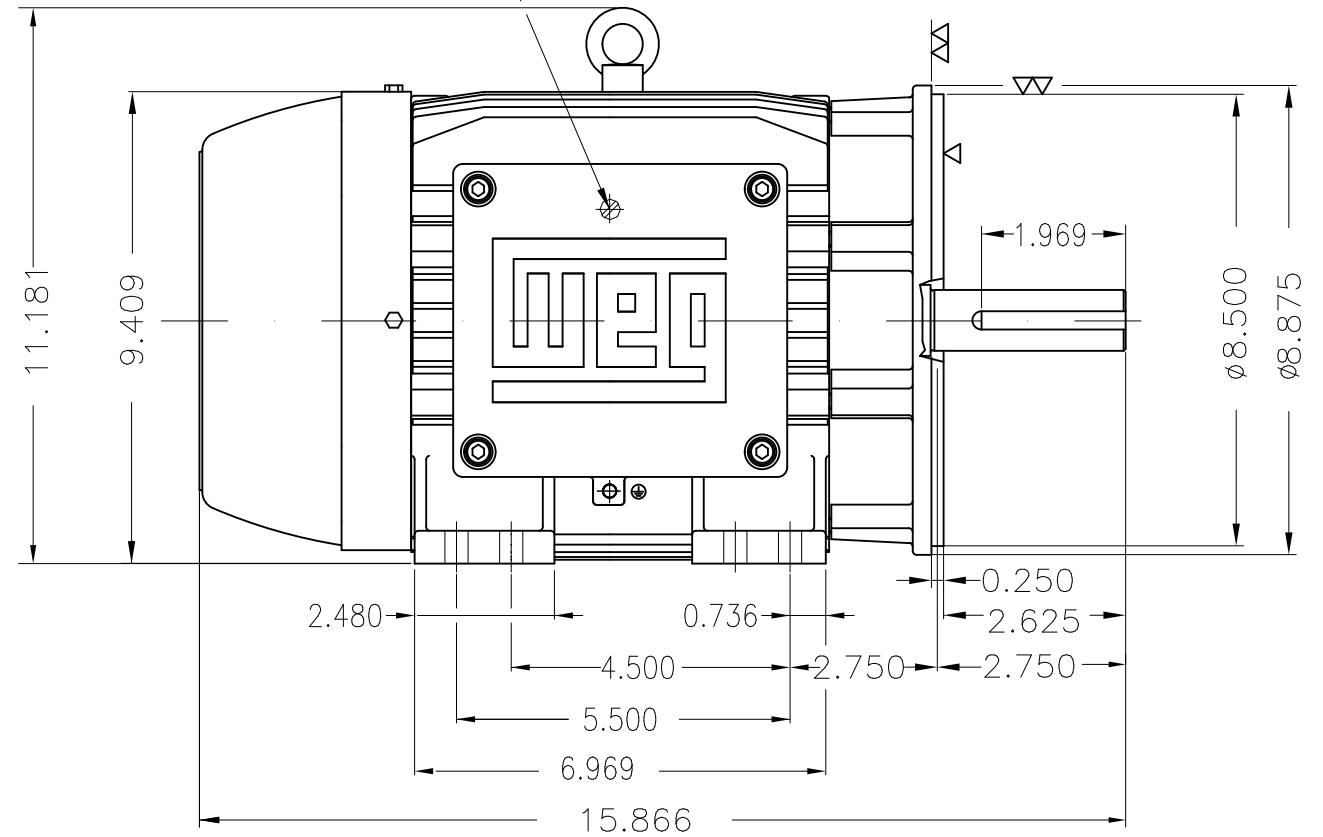


Grounding for leads 2-10 mm² / 14-7 AWG



Color RAL 5009
 Painting plan 202P
 Mounting NEMA F-1
 Mounting B34R(D)

3 HP 04 Poles 60 Hz A

						HYBRISUSER				00	
ECM	LOC	SUMMARY OF MODIFICATIONS				EXECUTED	CHECKED	RELEASED	DATE	VER	
EXECUTED	HYBRISUSER	THREE PH. MOTOR EXPLOSION PROOF NEMA PREM. EFF.		FRAME 182/4TC IP55 TEFC		PREVIEW					
CHECKED						WDD		00		1 / 1	
RELEASED						SHEET					
REL. DATE		WMO	Jaragua do Sul	Product Engineering							

