

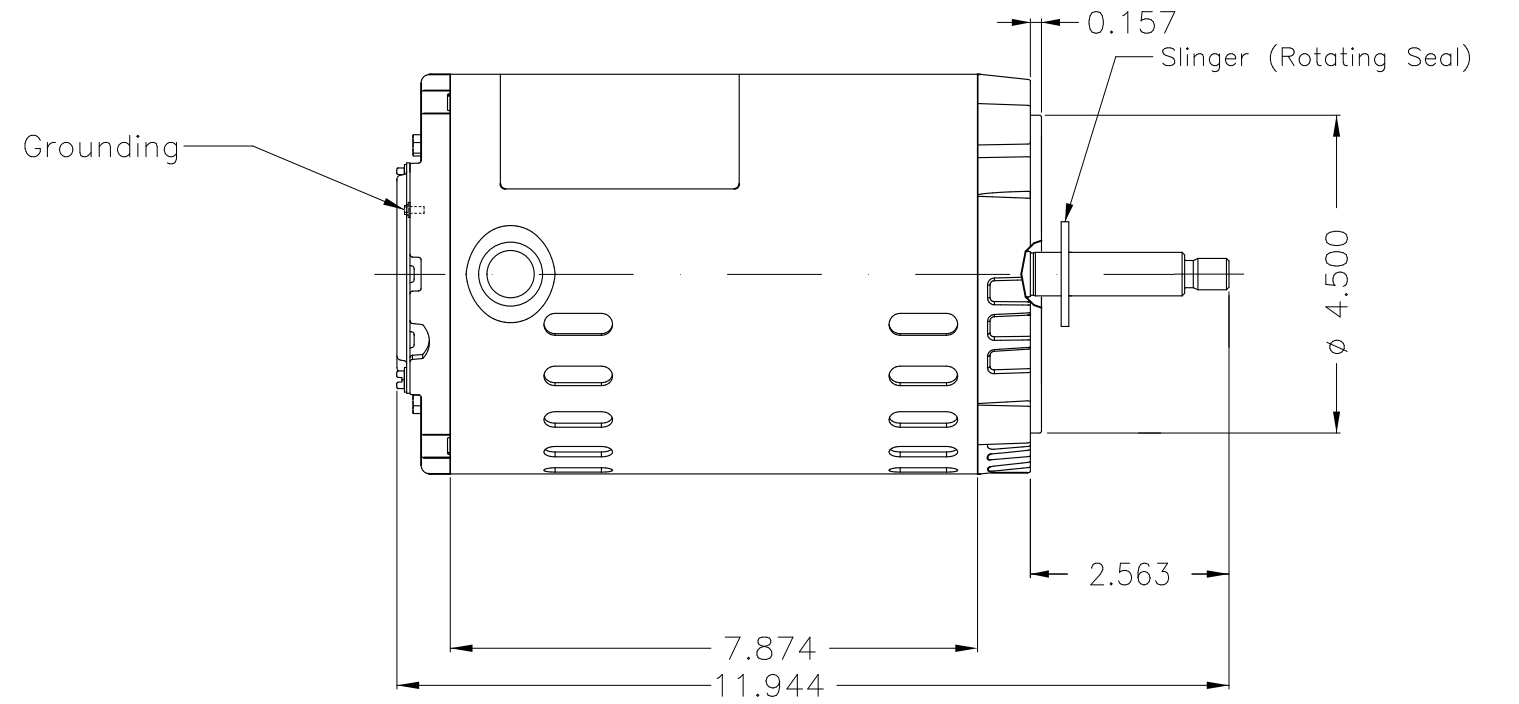
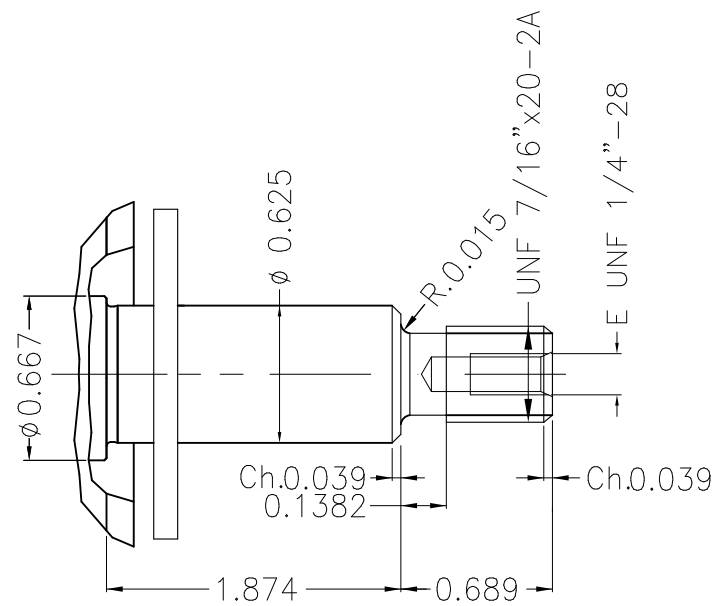
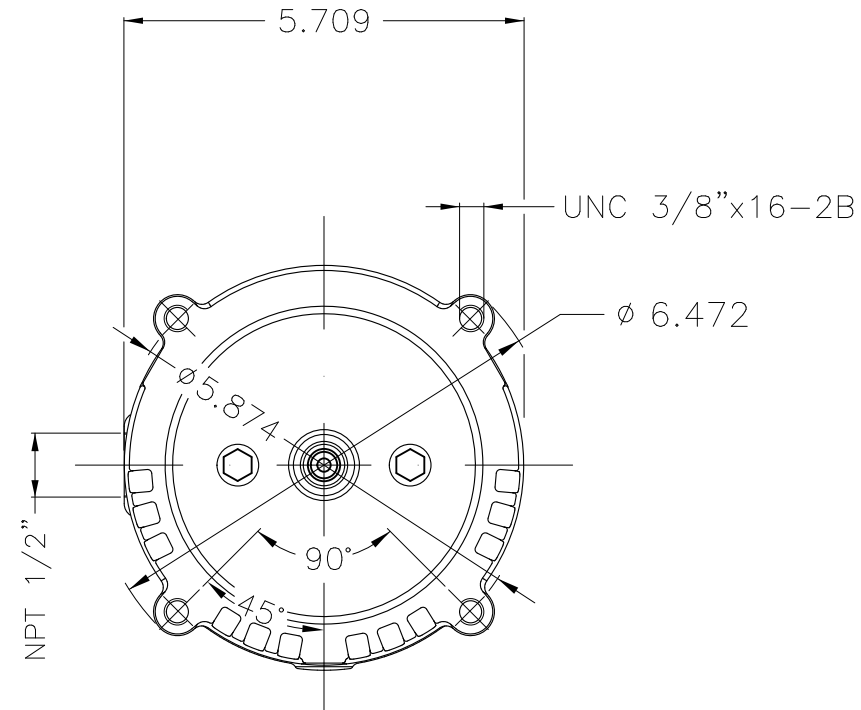
A

B

C

D

E



Color Munsell N 1 matte black
 Painting plan 207N
 Mounting F-1/B14R(D)

					HYBRISUSER				00
ECM	LOC	SUMMARY OF MODIFICATIONS			EXECUTED	CHECKED	RELEASED	DATE	VER

EXECUTED	HYBRISUSER		THREE PH. MOTOR ROLLED STEEL JET PUMP THREADED PRESS. FEED	PREVIEW WDD 00 SHEET 1 / 1	
CHECKED			FRAME W56J IP21 ODP		
RELEASED					
REL. DATE		WMO Jaragua do Sul	Product Engineering		

1.5 HP 02 Poles 60 Hz

A