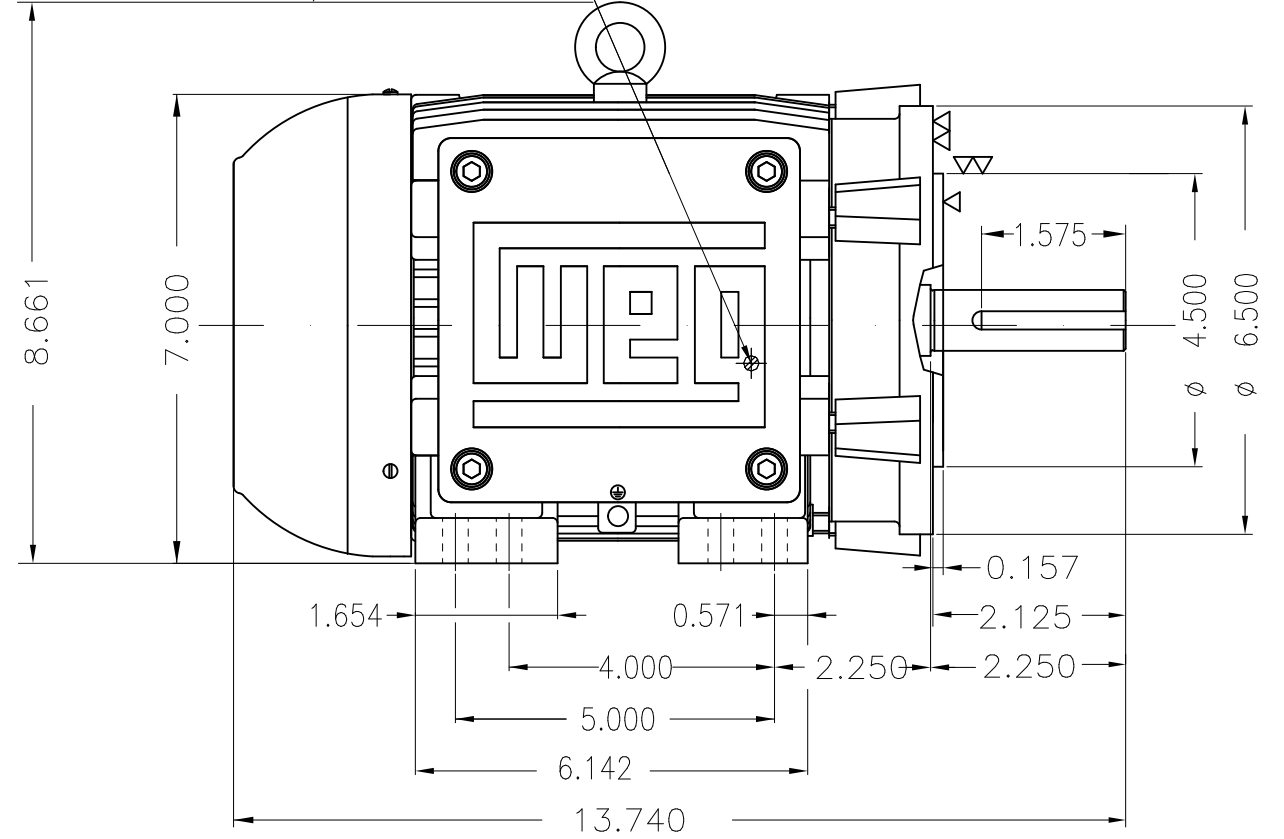


Grounding for leads 0.5–6 mm² / 20–10 AWG



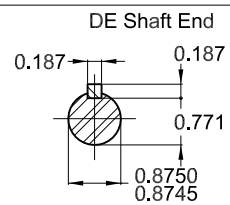
D

2 HP 04 Poles 60 Hz

A

E

Color RAL 5009
Painting plan 202P
Mounting NEMA F-1
Mounting B34R(D)



ECM		LOC	SUMMARY OF MODIFICATIONS		HYBRISUSER					00
EXECUTED	HYBRISUSER		THREE PH. MOTOR EXPLOSION PROOF NEMA PREM. EFF.		EXECUTED	CHECKED	RELEASED	DATE	VER	
CHECKED			FRAME 143/5TC IP55 TEFC							
RELEASED										
REL. DATE		WMO	Jaragua do Sul	Product Engineering						
					PREVIEW		WDD 00		SHEET 1 / 1	

