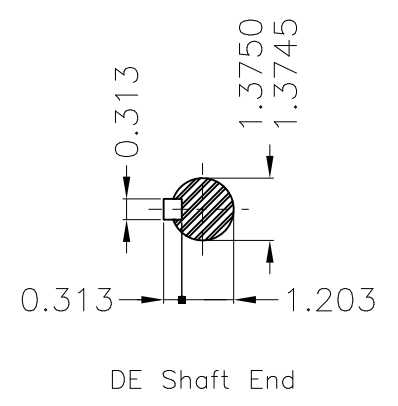
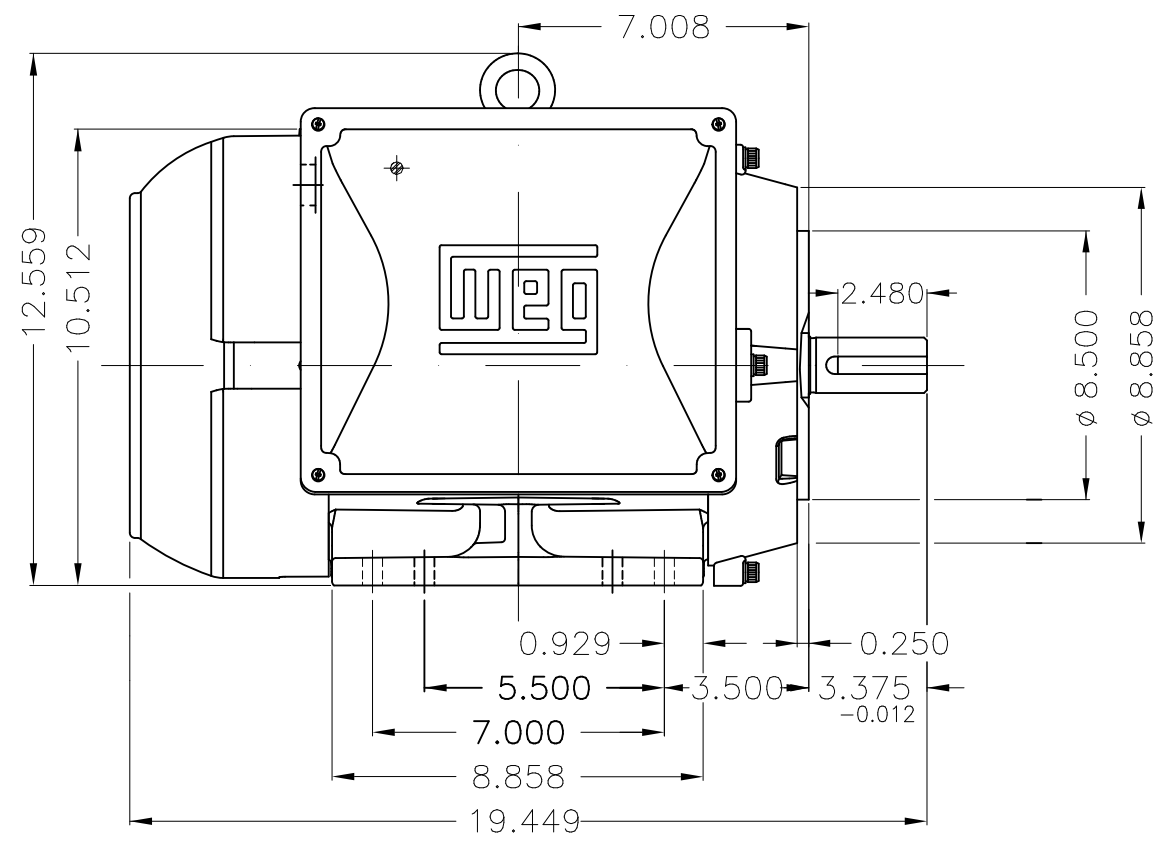
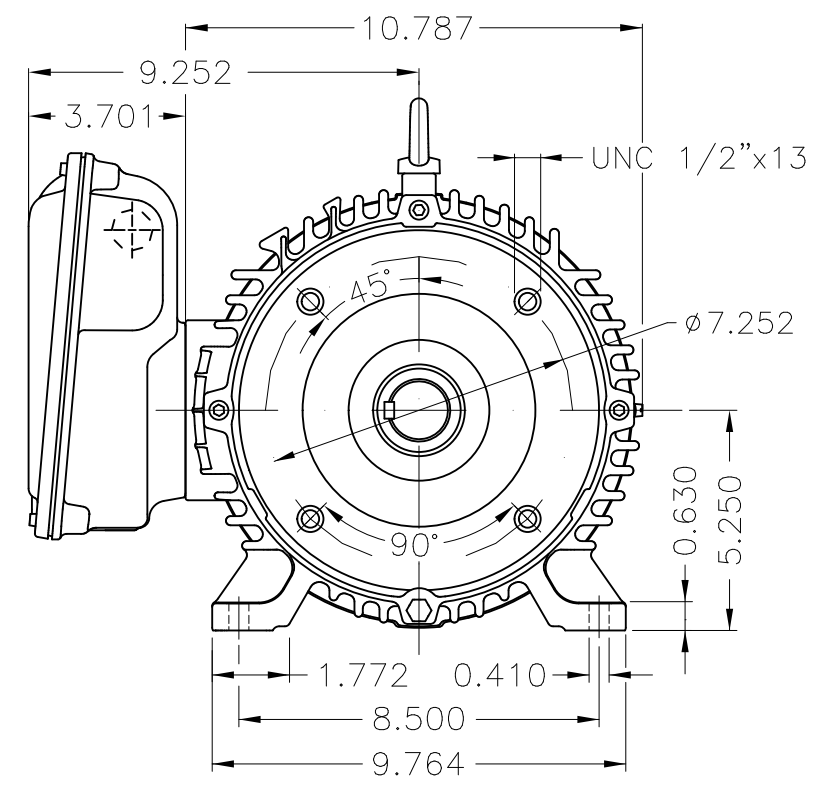
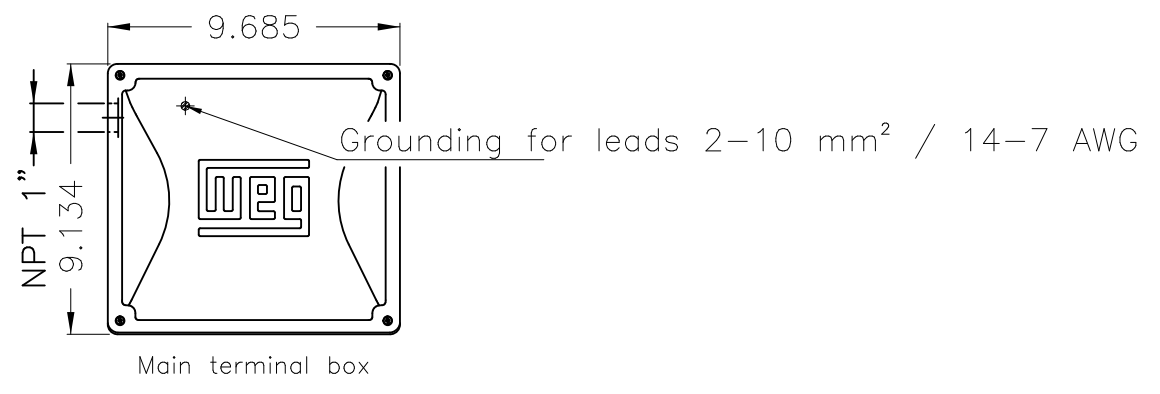


1 2 3 4 5 6

A  
B  
C  
D  
E



Dimensions in inches XME A3

Mounting NEMA F-1										
Mounting B34R(D)										
ECM	LOC	SUMMARY OF MODIFICATIONS				EXECUTED	CHECKED	RELEASED	DATE	VER
EXECUTED	HYBRISUSER	SINGLE PH. MOTOR W22								
CHECKED		FRAME 213/5TC IP55 TEFC								
RELEASED										
REL. DATE		WMO	Jaragua do Sul	Product Engineering						

7.5 HP 02 Poles 60 Hz

PREVIEW  
WDD | 00  
SHEET 1 / 1