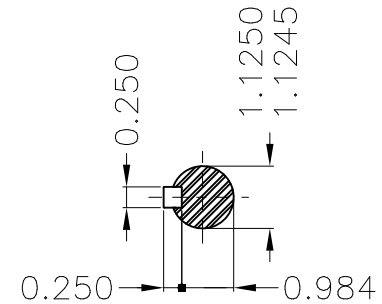
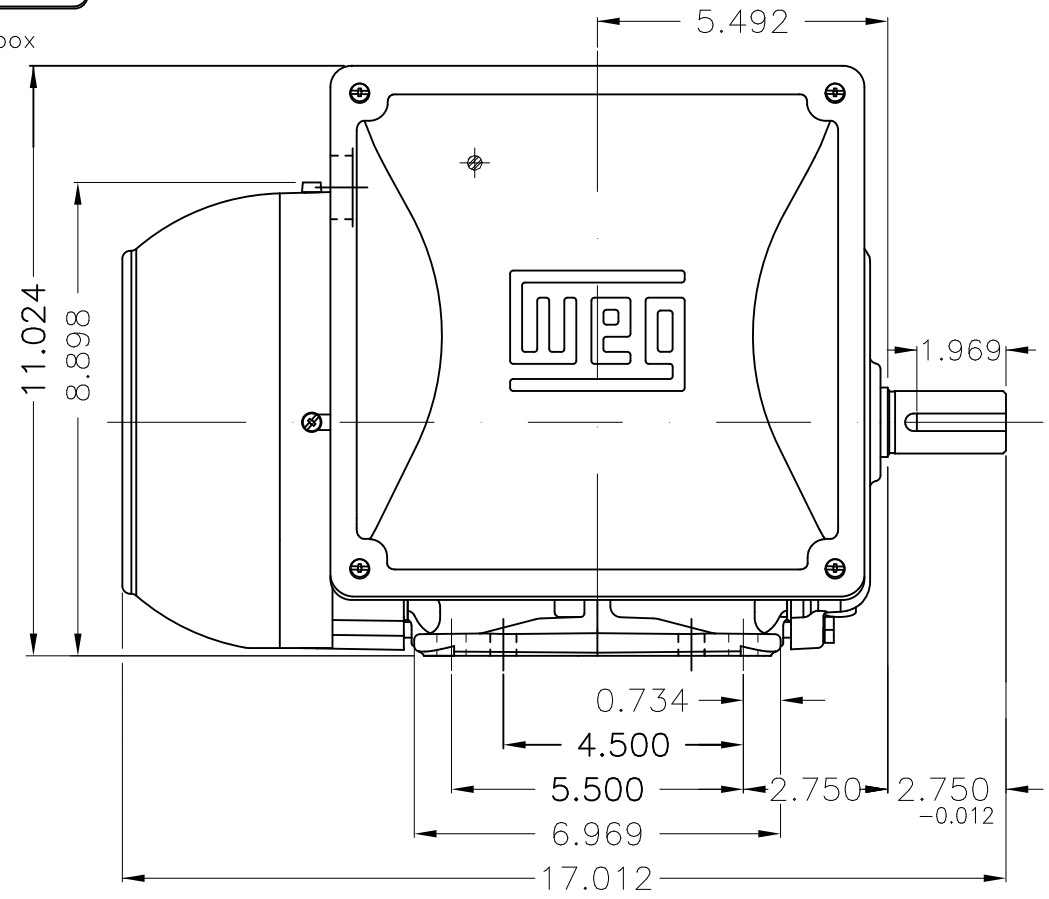


Grounding for leads 2-10 mm² / 14-7 AWG

Main terminal box



DE Shaft End

| | | | | | | | | | | |
|-------------------|------------|--------------------------|--|--------------------------------|--|---------------------|---------|----------|-------------|-----|
| Mounting NEMA F-1 | | | | | | | | | | |
| Mounting B3R(D) | | | | | | | | | | |
| | | | | | | | | | | |
| | | | | HYBRISUSER | | | | 00 | | |
| ECM | LOC | SUMMARY OF MODIFICATIONS | | | | EXECUTED | CHECKED | RELEASED | DATE | VER |
| EXECUTED | HYBRISUSER | | | SINGLE PH. MOTOR W22 FARM DUTY | | | | | PREVIEW | |
| CHECKED | | | | FRAME 182/4T IP55 TEFC | | | | | WDD 00 | |
| RELEASED | | | | | | | | | SHEET 1 / 1 | |
| REL. DATE | | WMO | | Jaragua do Sul | | Product Engineering | | | | |

3 HP 04 Poles 60 Hz