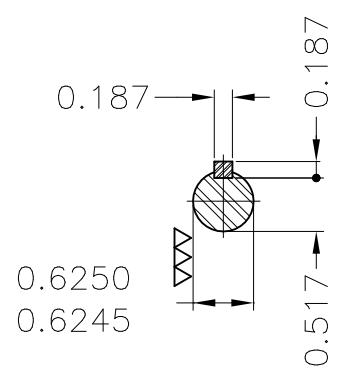
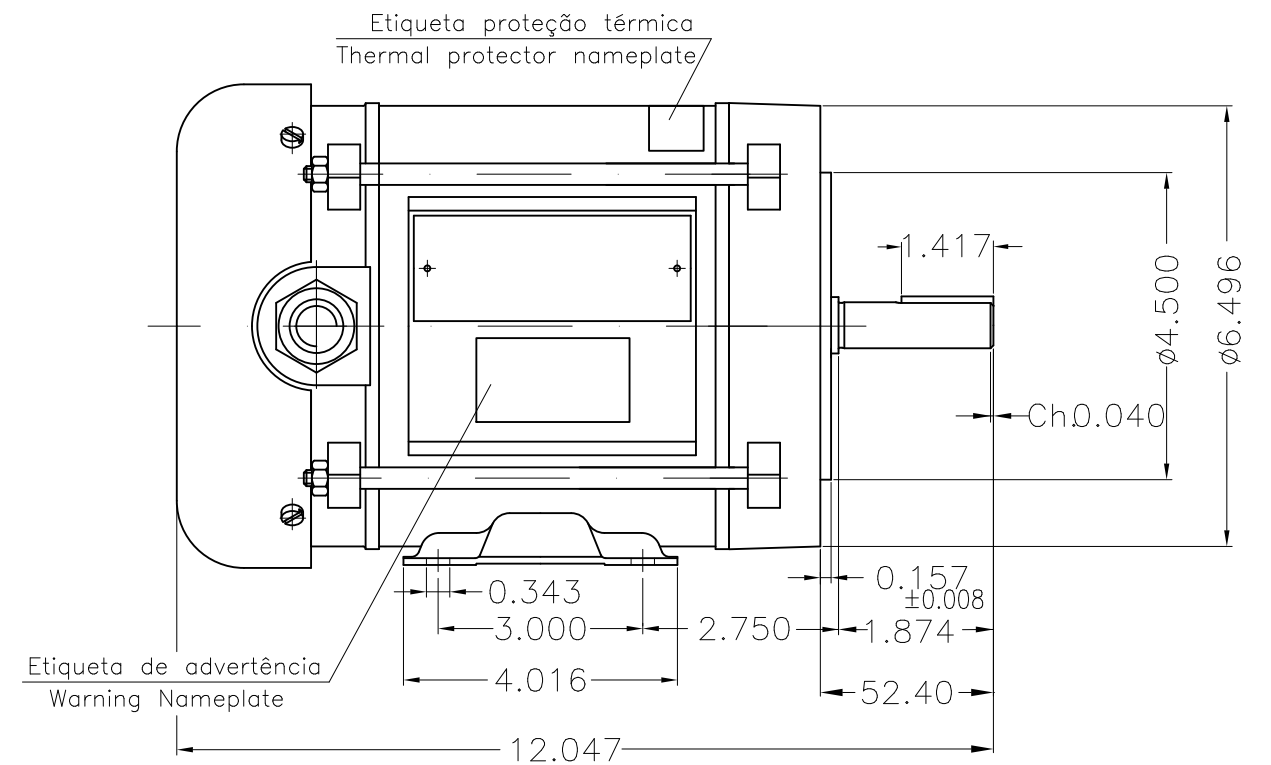
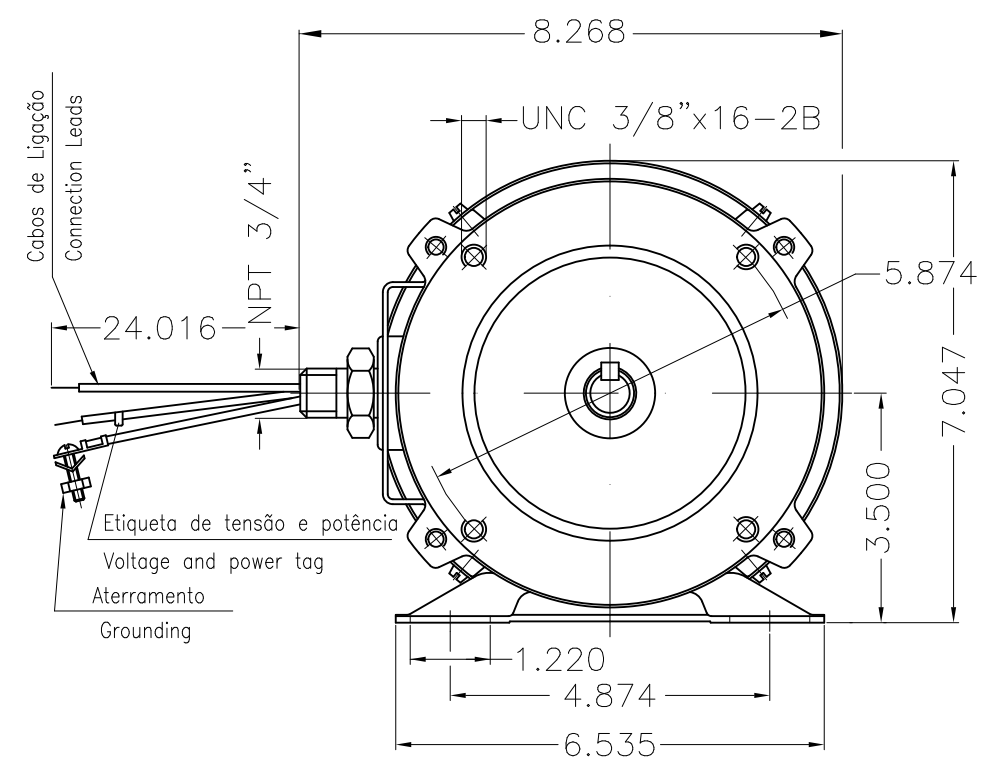


A
B
C
D
E



Mounting NEMA F-1						
Mounting B34R(D)						
				HYBRISUSER		00
ECM	LOC	SUMMARY OF MODIFICATIONS		EXECUTED	CHECKED	RELEASED
EXECUTED	HYBRISUSER	THREE PH. MOTOR EXPLOSION PROOF		PREVIEW	WDD	00
CHECKED		FRAME A56CEX IP44 TEFC				
RELEASED						
REL. DATE		WMO	Jaragua do Sul	Product Engineering	SHEET	1 / 1

0.25 HP 04 Poles 60 Hz

A

