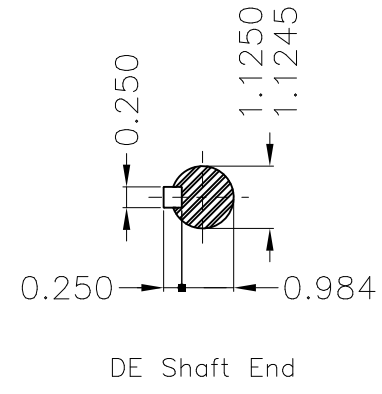
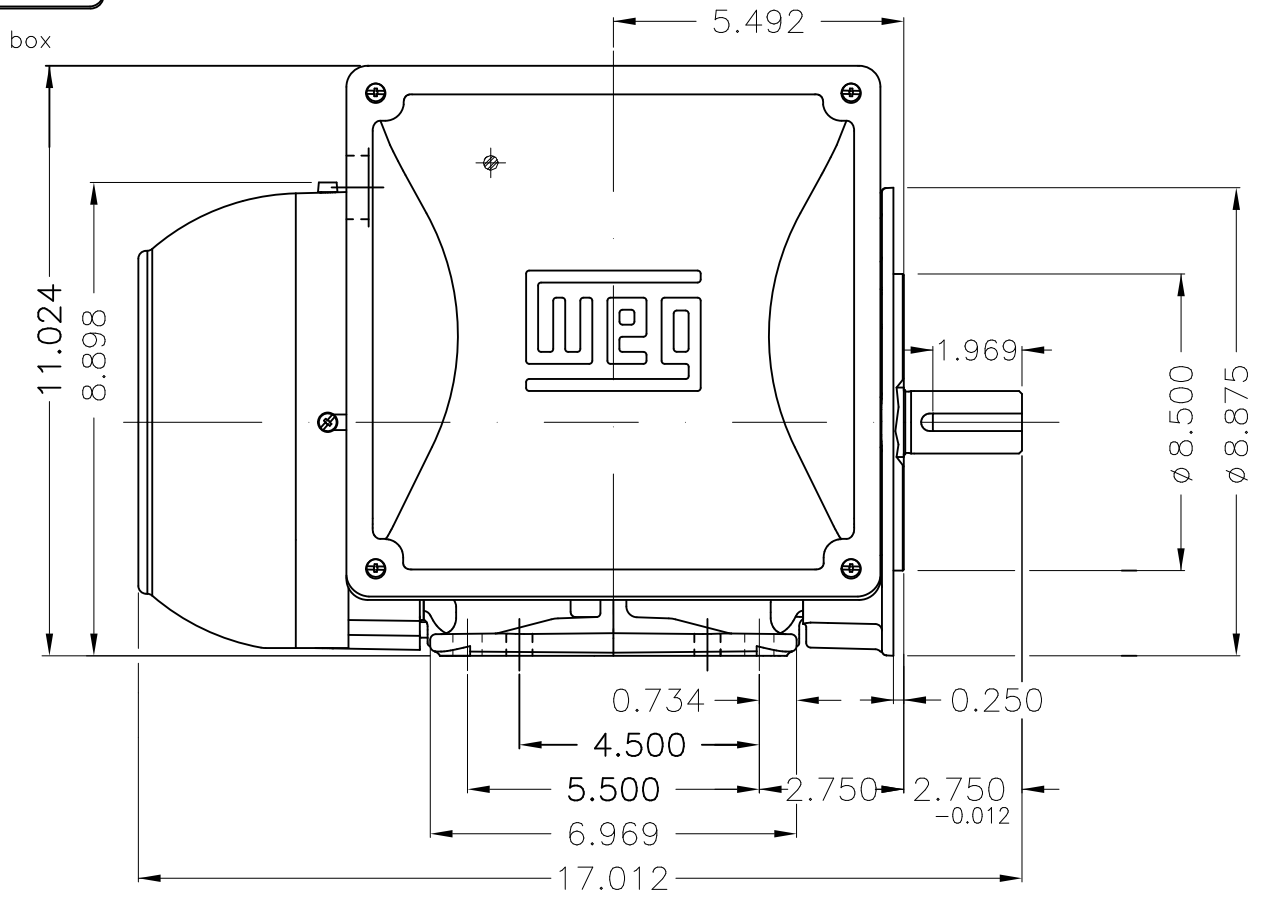
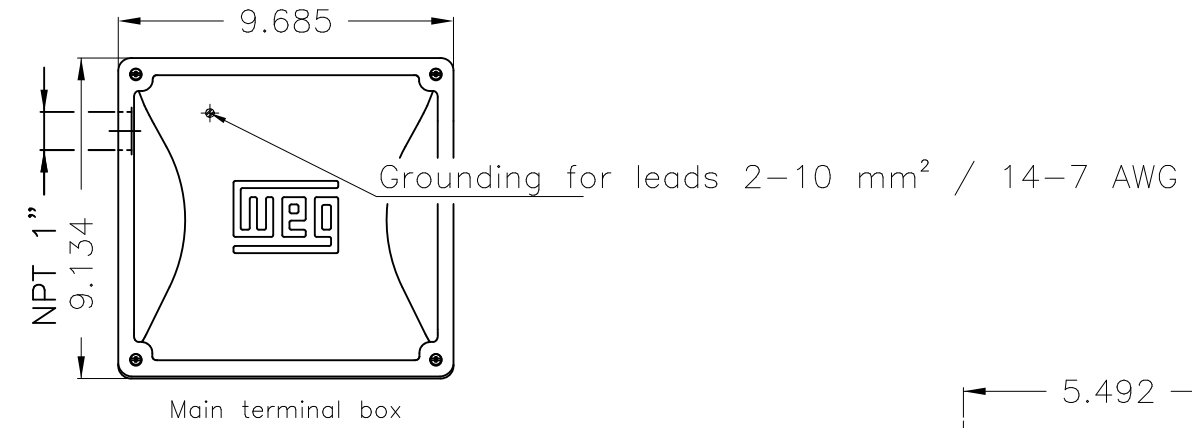
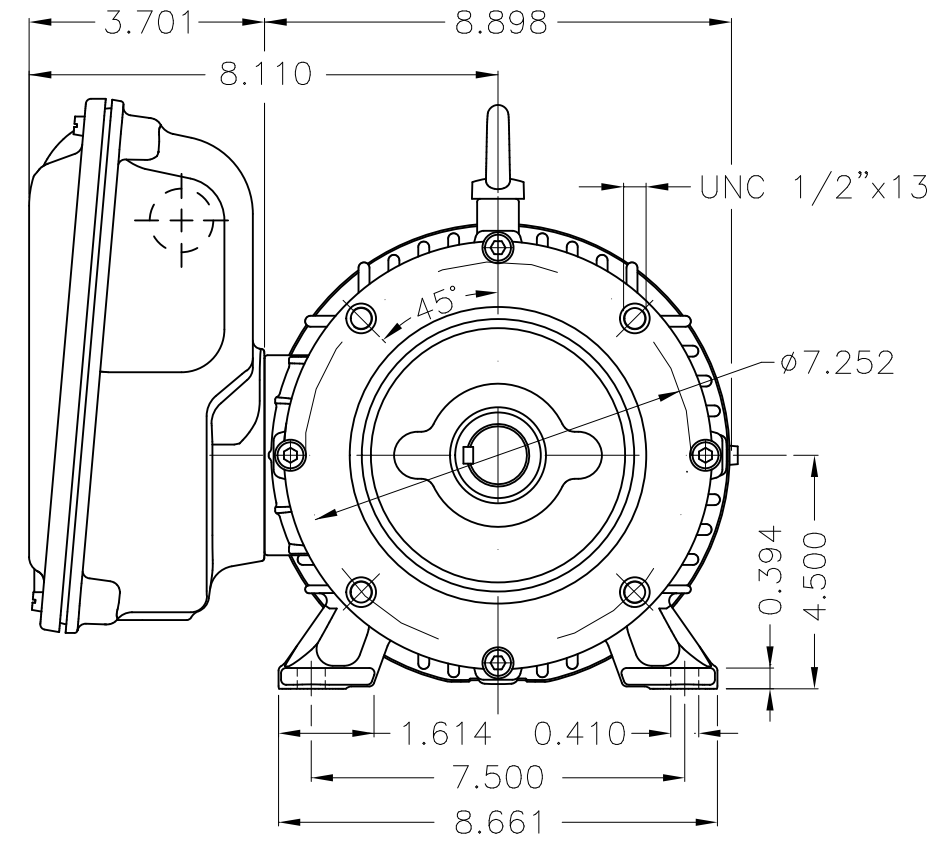


1 2 3 4 5 6

A  
B  
C  
D  
E



Dimensions in inches

Mounting NEMA F-1											
Mounting B34R(D)											
HYBRISUSER								00			
ECM	LOC	SUMMARY OF MODIFICATIONS					EXECUTED	CHECKED	RELEASED	DATE	VER
EXECUTED	HYBRISUSER	SINGLE PH. MOTOR W22 FRAME 182/4TC IP55 TEFC					PREVIEW		WDD   00		
CHECKED							SHEET		1 / 1		
RELEASED											
REL. DATE		WMO	Jaragua do Sul	Product Engineering							

3 HP 02 Poles 60 Hz

A