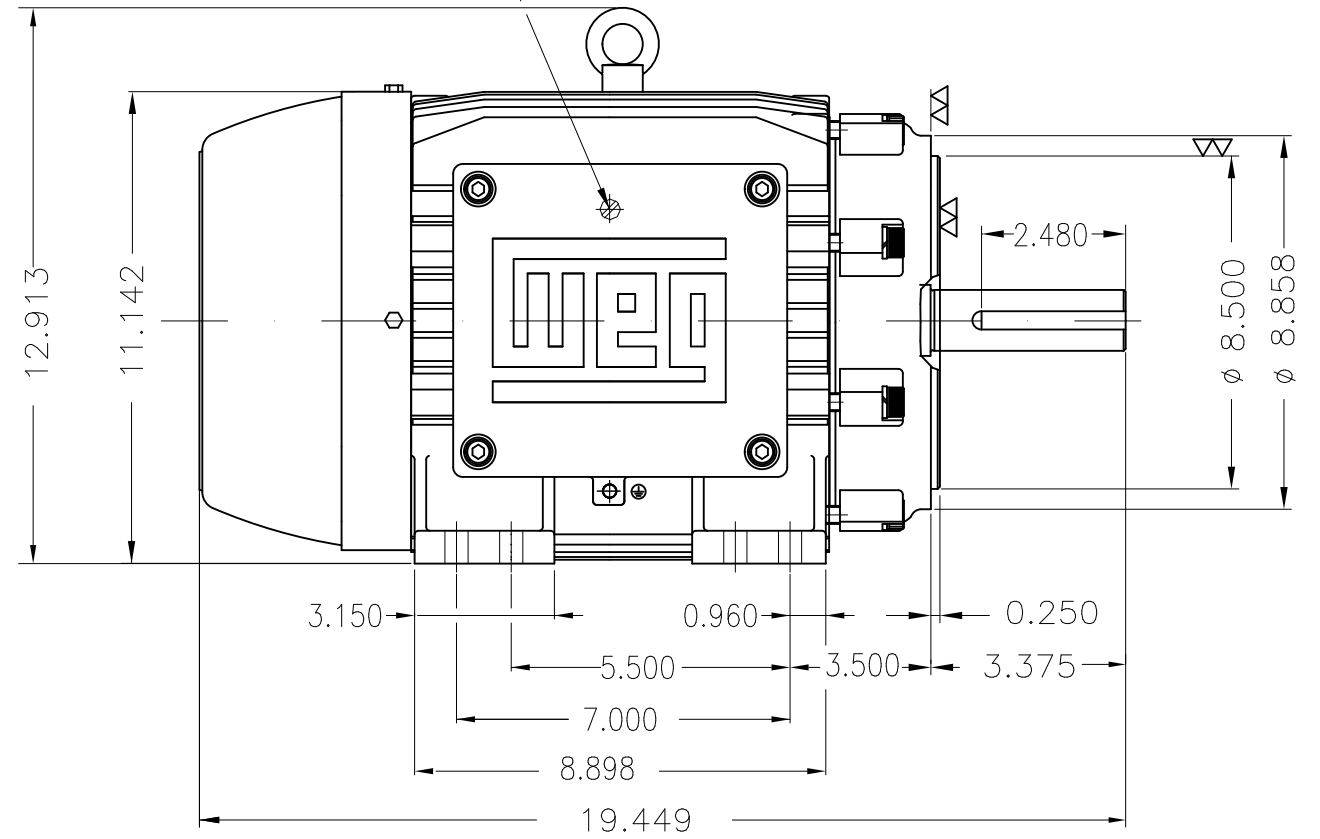
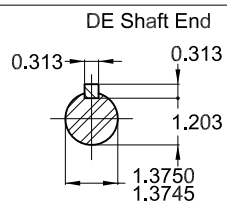


Grounding for leads 2-10 mm² / 14-7 AWG



Color RAL 5009
 Painting plan 202P
 Mounting NEMA F-1
 Mounting B34R(D)



7.5 HP 04 Poles 60 Hz

Dimensions in inches

		HYBRISUSER								00	
ECM	LOC	SUMMARY OF MODIFICATIONS				EXECUTED	CHECKED	RELEASED	DATE	VER	
EXECUTED	HYBRISUSER	THREE PH. MOTOR EXPLOSION PROOF NEMA PREM. EFF.		FRAME 213/5TC IP55 TEFC		PREVIEW					
CHECKED						WDD		00			
RELEASED						SHEET		1 / 1			
REL. DATE		WMO	Jaragua do Sul	Product Engineering							

