

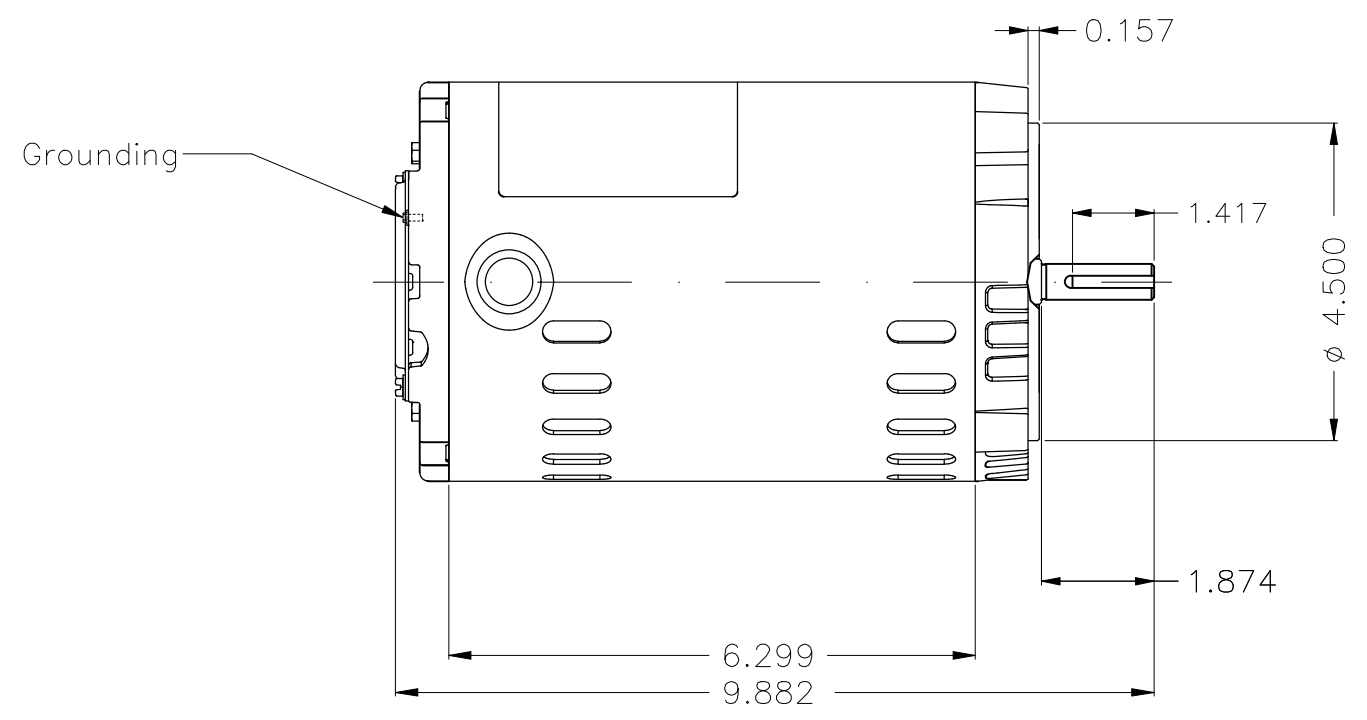
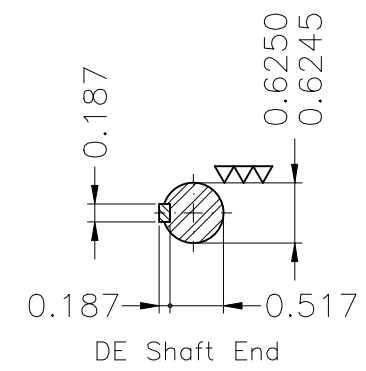
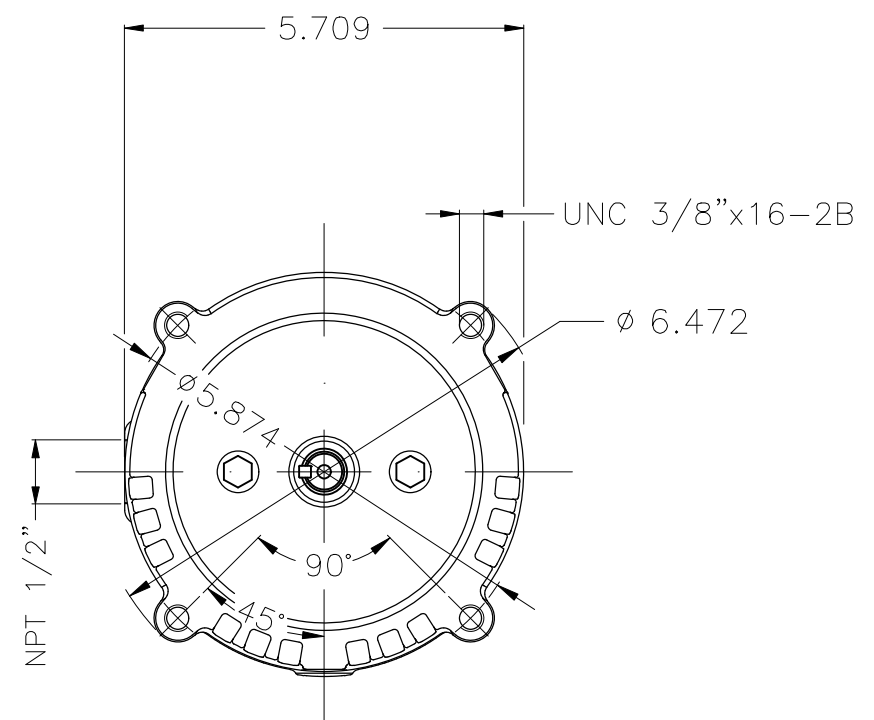
A

B

C

D

E



Color Munsell N 1 matte black
 Painting plan 207N
 Mounting F-1/B14R(D)

ECM	LOC	SUMMARY OF MODIFICATIONS	EXECUTED	CHECKED	RELEASED	DATE	VER
EXECUTED	HYBRISUSER	THREE PH. MOTOR ROLLED STEEL FRAME W56C IP21 ODP					
CHECKED							
RELEASED							
REL. DATE	WMO	Jaragua do Sul	Product Engineering	SHEET 1 / 1			

0.5 HP 04 Poles 60 Hz

A

HYBRISUSER 00

PREVIEW

WDD 00

Dimensions in inches XME A3