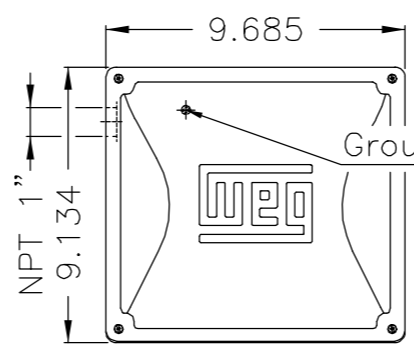


EIXO/SHAFT	
PADRÃO/STANDARD	
OPCIONAL/OPTIONAL	
ESPECIAL/SPECIAL	X

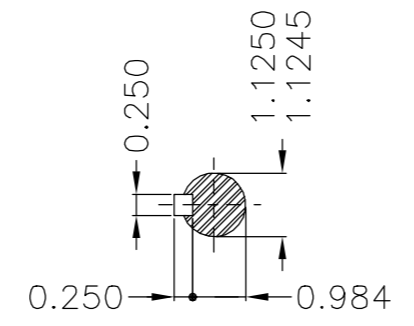
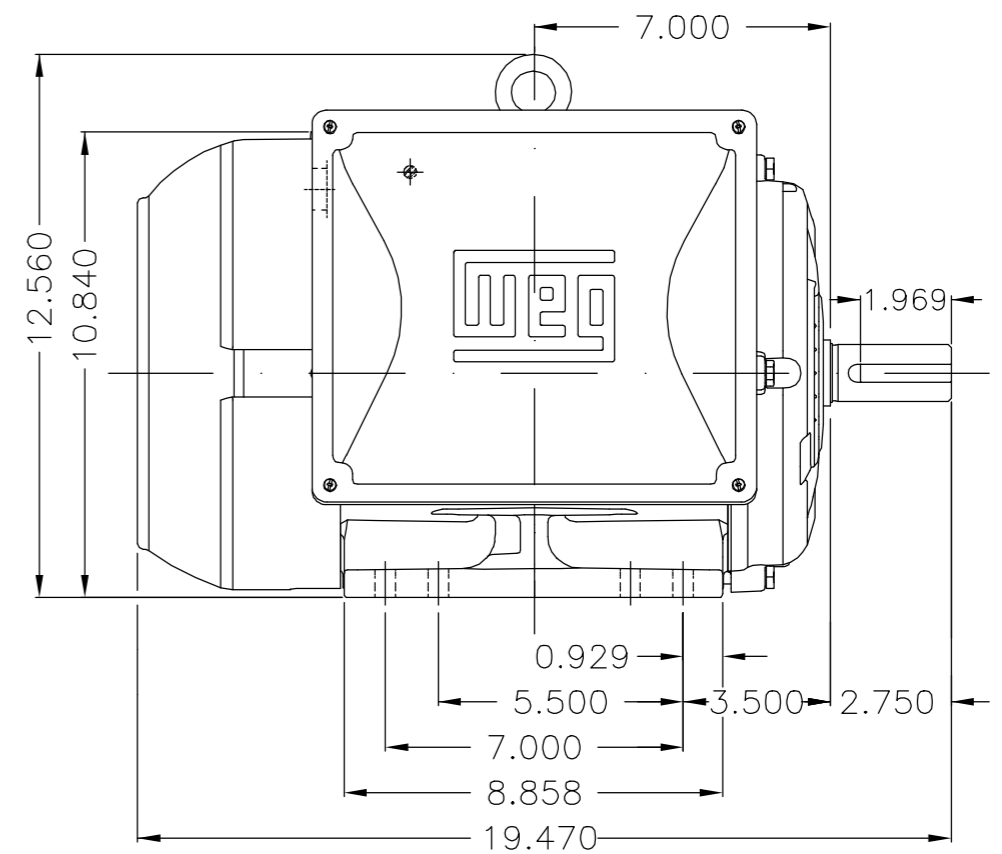
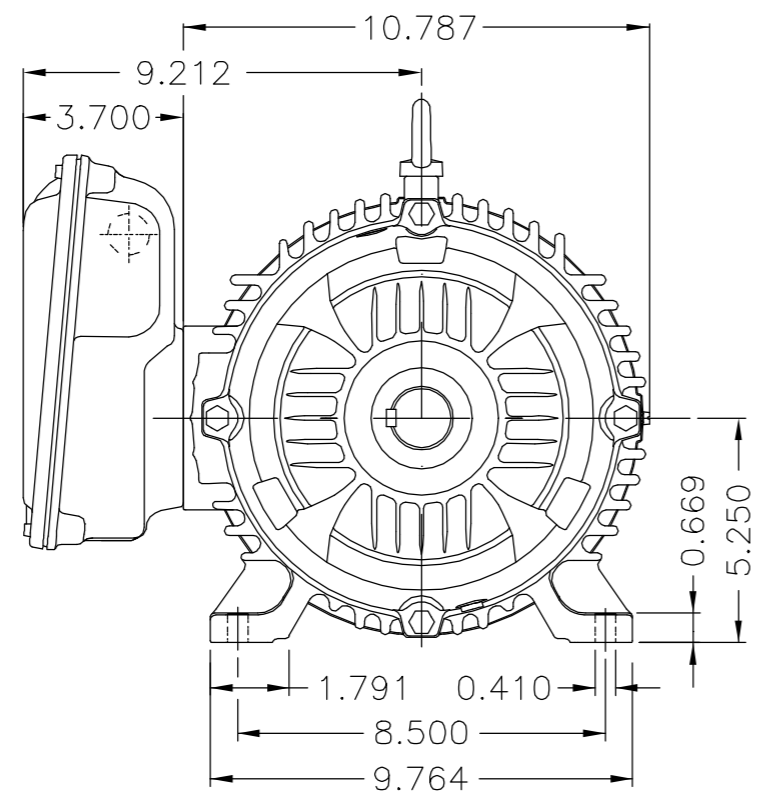
Dimensões em mm

CERTIFIED WEG MOTORES
 Certified document.
 Not subject to changes.

THIS IS AN UPDATED REVISION, THE PREVIOUS ONE MUST BE DISREGARDED.



Main terminal box



Ponta de Eixo Dianteira

Forma construtiva B3D / Mounting B3R(D)						
WEG EQUIPAMENTOS ELETRICOS S/A						
500001363344	DOCUMENTO NOVO	JOHNLENONN	RUBENFSM	25.09.2017	00	
ECM	LOC	SUMMARY OF MODIFICATIONS	EXECUTED	CHECKED	RELEASED	DATE VER
EXECUTED	JOHNLENONN	SINGLE PHASE MOTOR W22 NEMA FRAME 213/5TZ IP55 TEFC	10005239388			
CHECKED			000	00		
RELEASED	RUBENFSM					
REL DT	25.09.2017	WMO Jaragua do Sul	Product Engineering	SHEET	01 / 01	

7.5 HP 04 Poles 60Hz 414810284