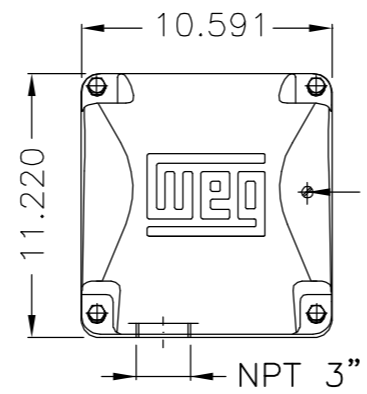


EIXO/SHAFT		Dimensões em polegada Dimensions in inches
PADRÃO/STANDARD	X	
OPCIONAL/OPTIONAL		
ESPECIAL/SPECIAL		

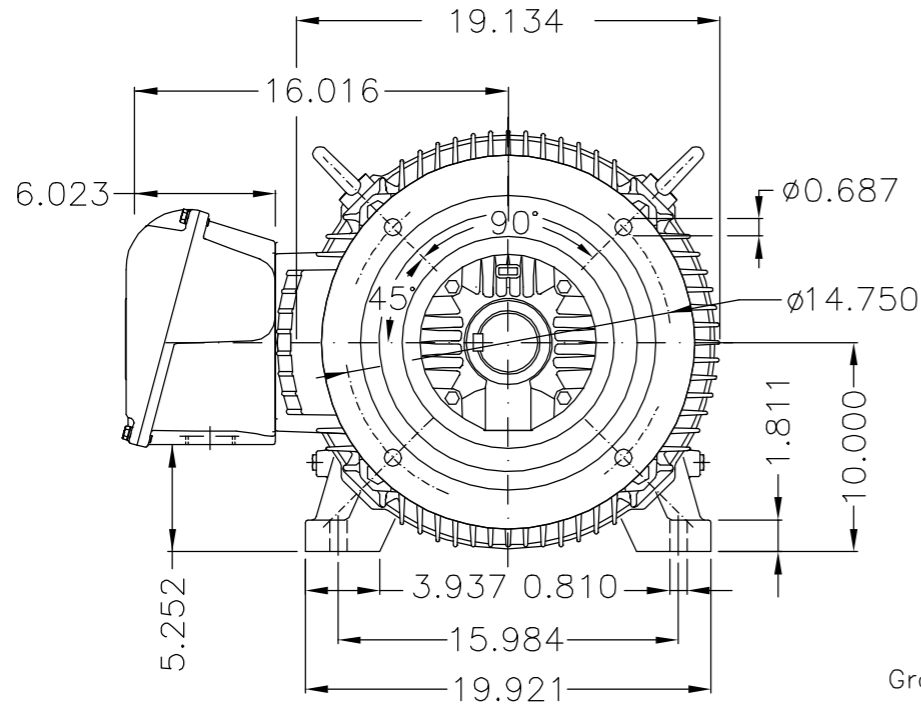
CERTIFIED WEG MOTORES
Certified document.
Not subject to changes.

THIS IS AN UPDATED REVISION, THE PREVIOUS ONE MUST BE DISREGARDED.

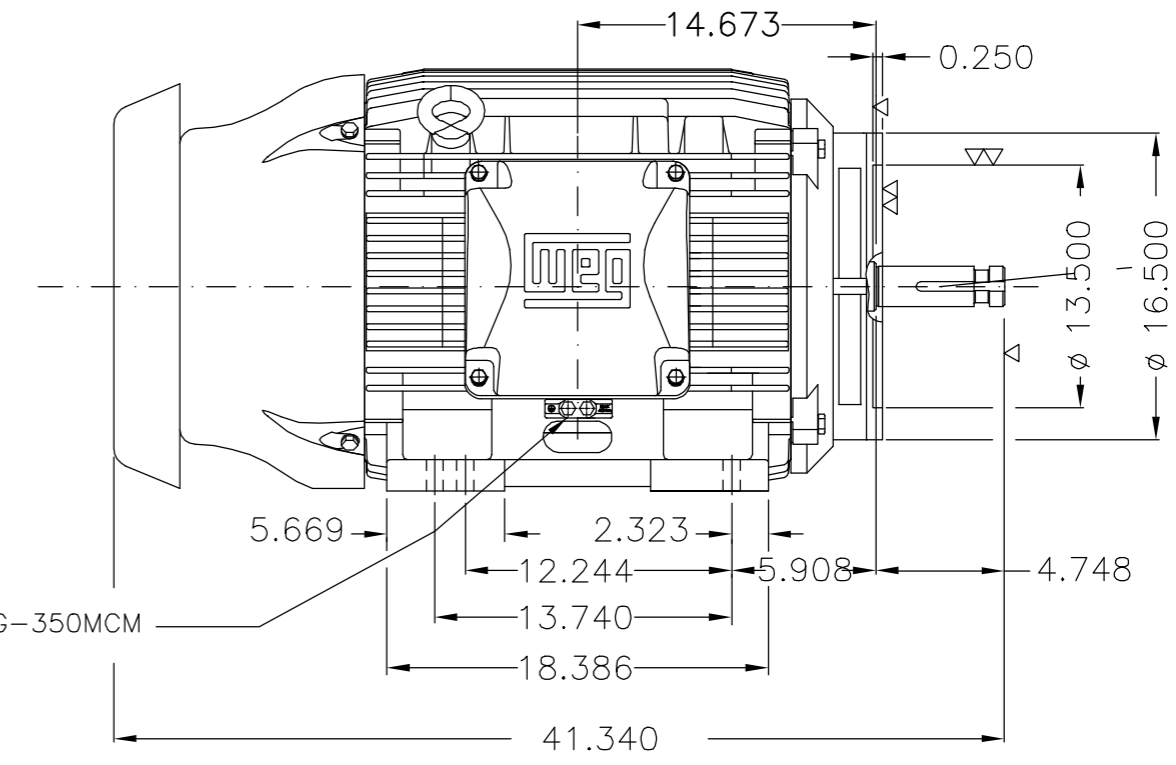


Main terminal box

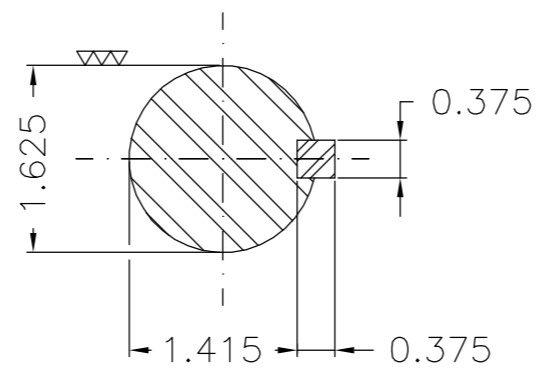
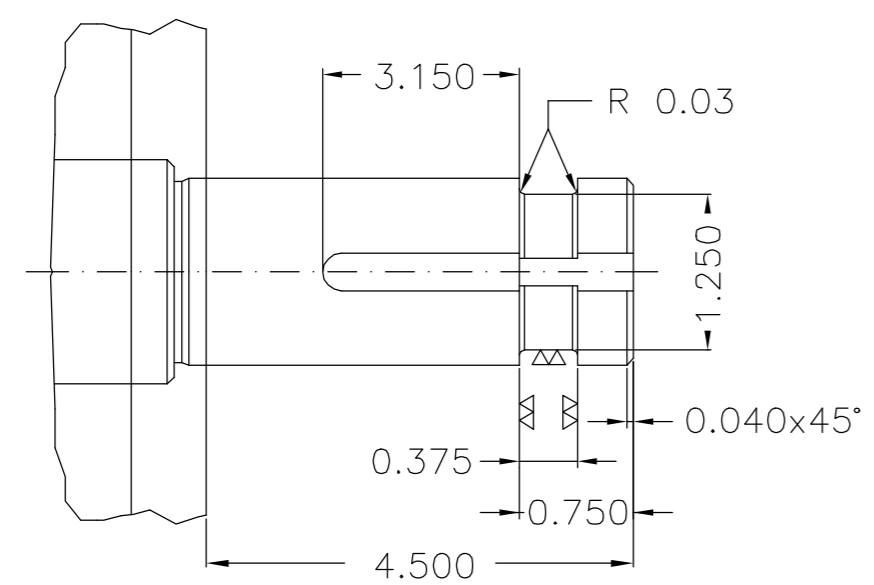
Grounding for leads 25–50 mm² / 3–1 AWG



Grounding for leads 25–185 mm² / 3AWG–350MCM



Center hole
DUNC 5/8"–11 WEG TBG12



Cor RAL 5009 / Color RAL 5009
Plano de pintura 203A / Painting plan 203A
Forma construtiva NEMA W-6 / Mounting NEMA W-6
Forma construtiva V15D / Mounting V15R(D)
V.J. PAMENSKY CANADA INC.

500002112052		ALT CONFORME 418239887	CLAUDEMIRR	JACKSONDC	JACKSONDC	13.04.2022	02
500001533404		ALTERADO CONFORME CLAIM 415372700	RBOECK	CLEBERP	CLEBERP	05.03.2019	01
ECM	LOC	SUMMARY OF MODIFICATIONS	EXECUTED	CHECKED	RELEASED	DATE	VER
EXECUTED	DVEGINI	THREE PHASE W22 P-BASE MOTOR PREMIUM EFF FRAME 404/5HP IP55 TEFC P. BASE	10005154168				
CHECKED	NSCHMIDT		000	02			
RELEASED	NSCHMIDT						
REL DT	28.08.2017	WMO Jaragua do Sul	Product Engineering	SHEET	1 / 1		

100 HP 04 Poles 60Hz 414778433/0