

1 2 3 4 5 6

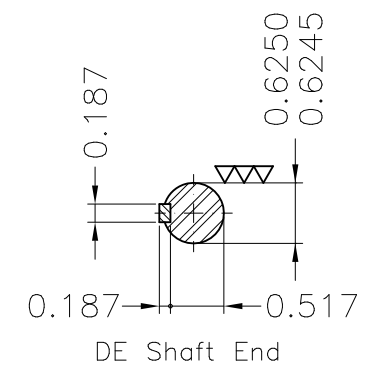
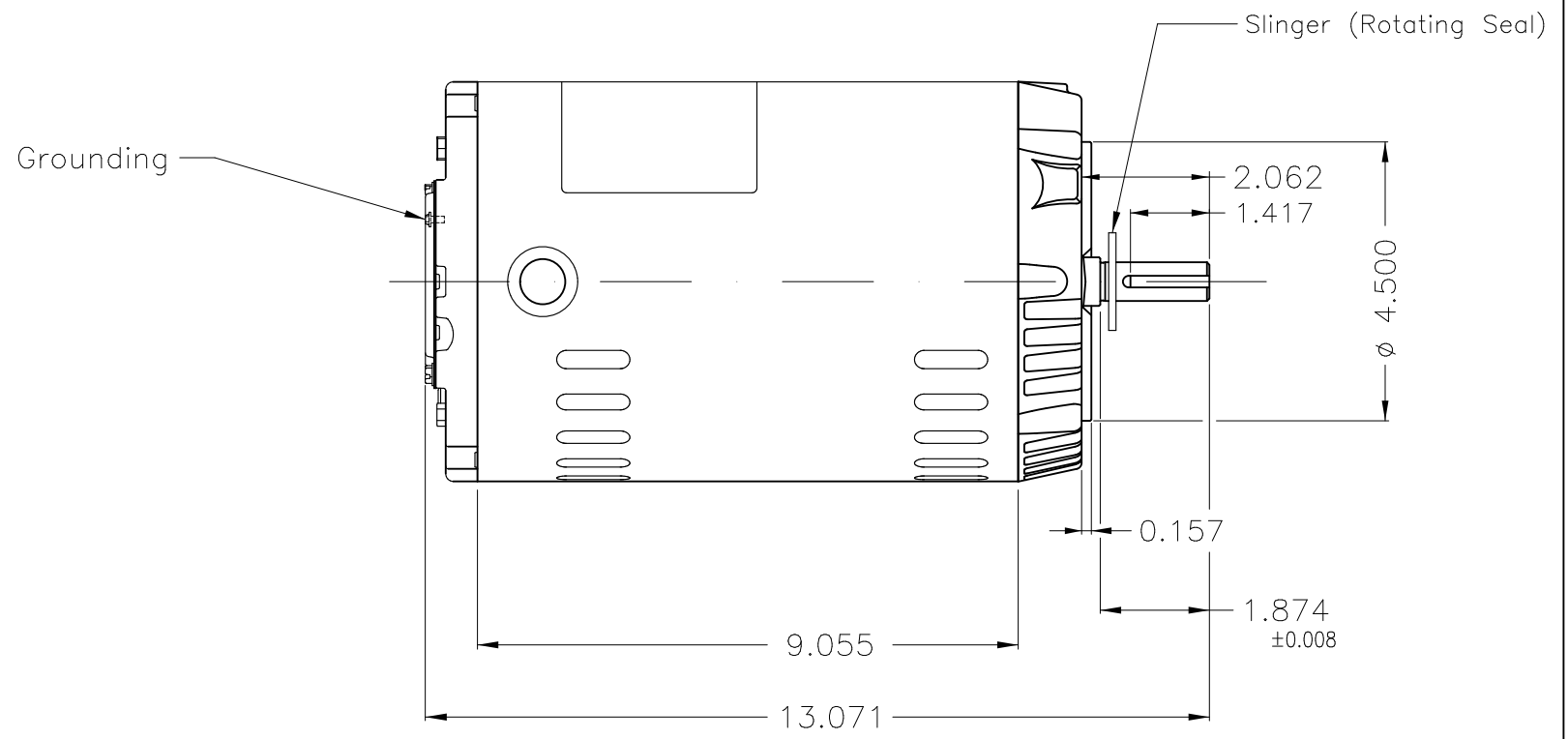
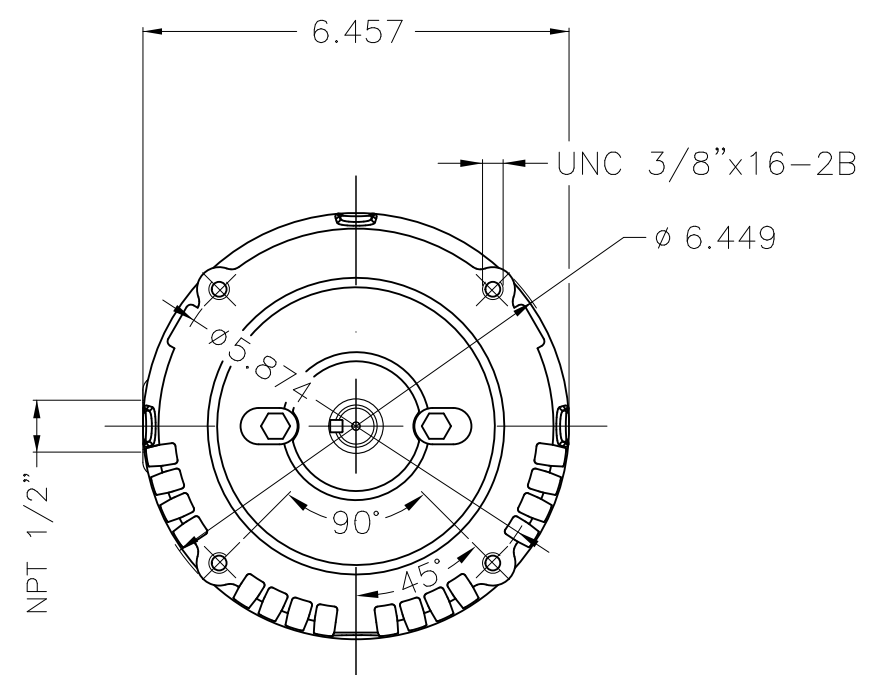
A

B

C

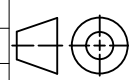

D

E



Color Munsell N 1 matte black
 Painting plan 207N
 Mounting F-1/B14R(D)

ECM	LOC	SUMMARY OF MODIFICATIONS	EXECUTED	CHECKED	RELEASED	DATE	VER

EXECUTED	HYBRISUSER	 THREE PH. MOTOR ROLLED STEEL JET PUMP KEYED PREM 555 FRAME 56C IP21 ODP	WDD 00 SHEET 1 / 1	
CHECKED				
RELEASED				
REL. DATE	WMO Jaragua do Sul	Product Engineering		

3 HP 02 Poles 60 Hz

A