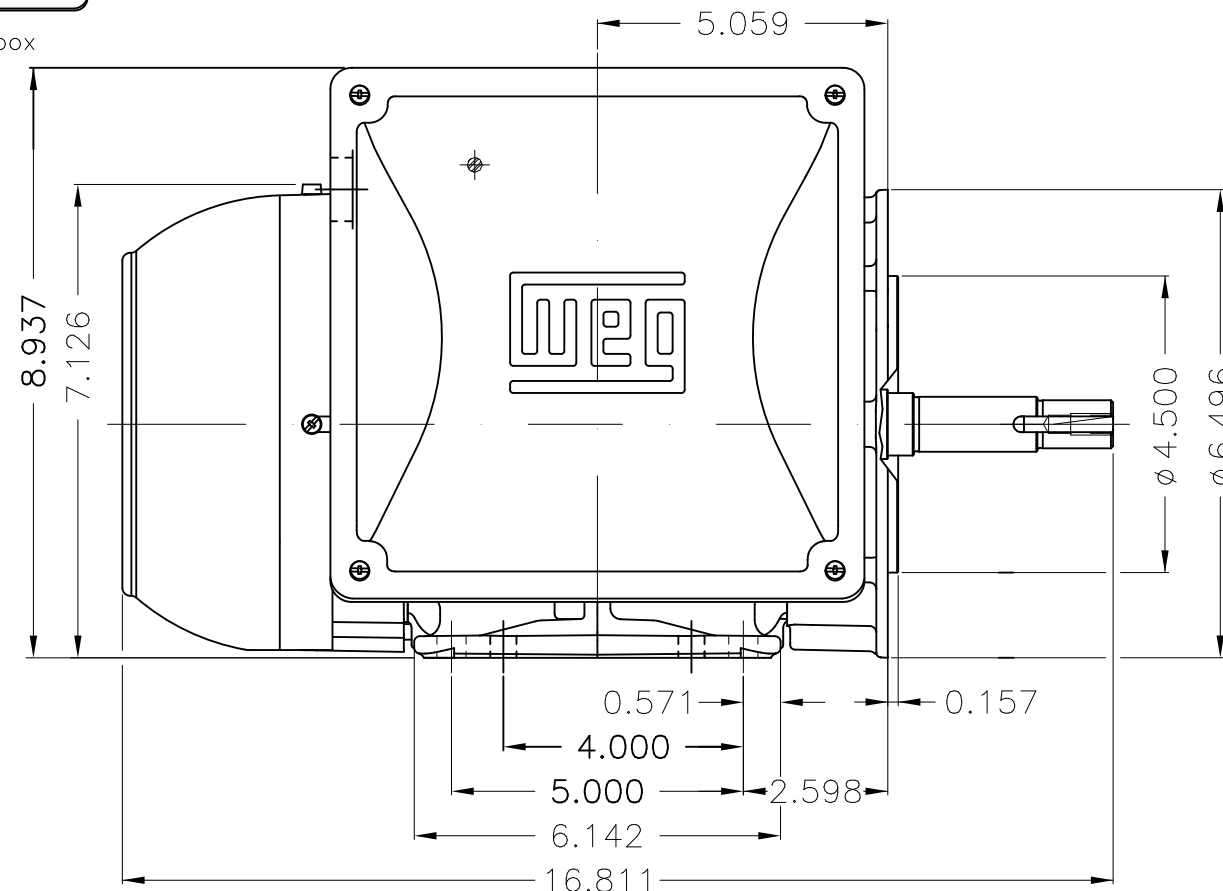
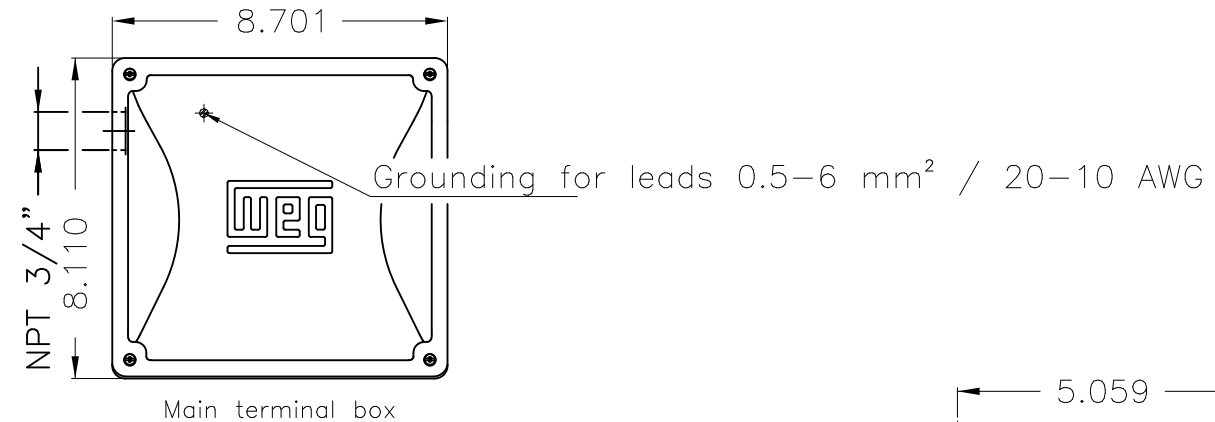
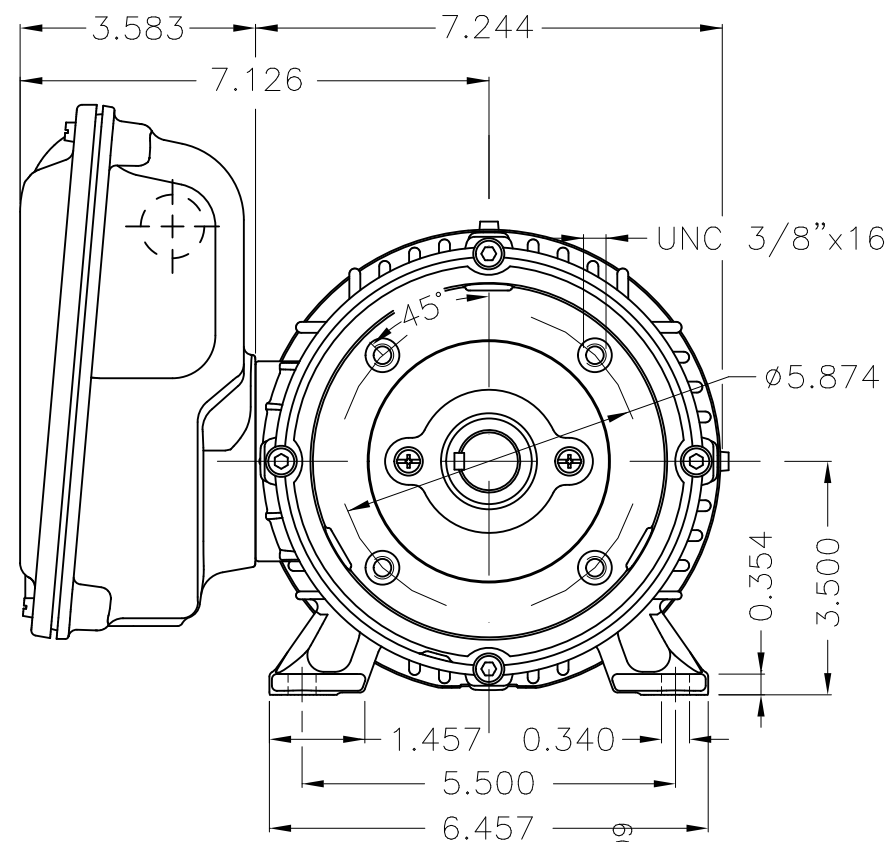
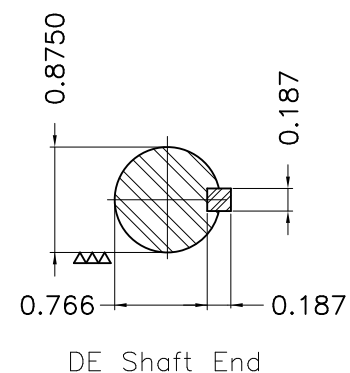
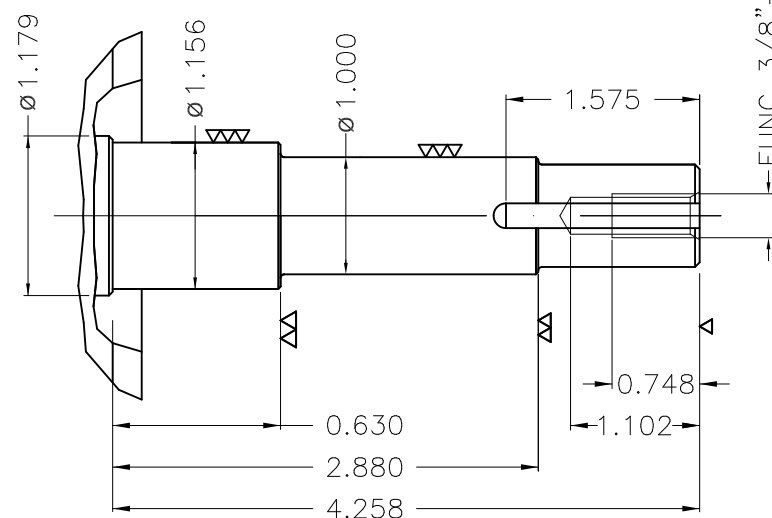


1 2 3 4 5 6

A  
B  
C  
D  
E



Center hole  
EUNC 3/8"-16 WEG WPR-7309



2 HP 04 Poles 60 Hz

Color RAL 7022		Mounting NEMA F-1		Mounting B34R(D)	
ECM		LOC		SUMMARY OF MODIFICATIONS	
EXECUTED	HYBRISUSER	EXECUTED	CHECKED	RELEASED	DATE
CHECKED					
RELEASED					
REL. DATE	WMO	Jaragua do Sul	Product Engineering	HYBRISUSER	00
SINGLE PH. MOTOR W22 CLOSE COUPLED PUMP JM TYPE			PREVIEW		
FRAME 143/5JM IP55 TEFC			WDD 00		
SHEET			1 / 1		

Dimensions in inches XME A3