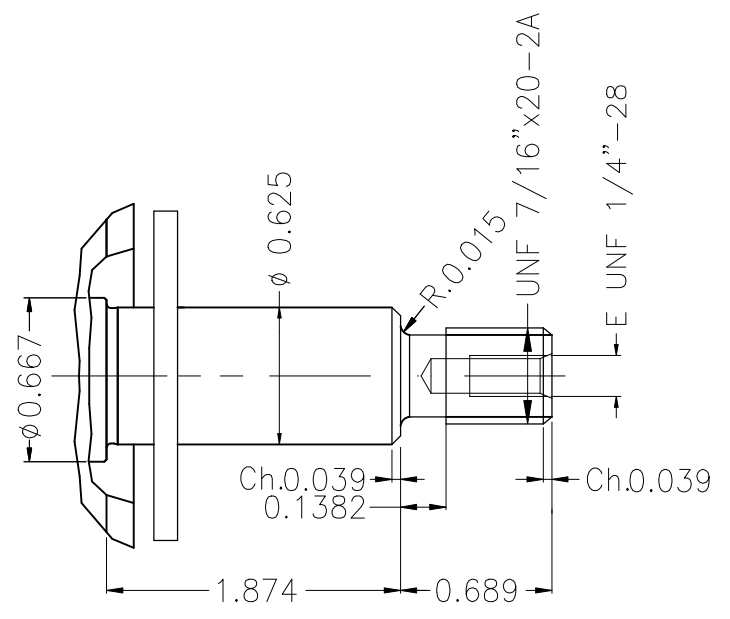
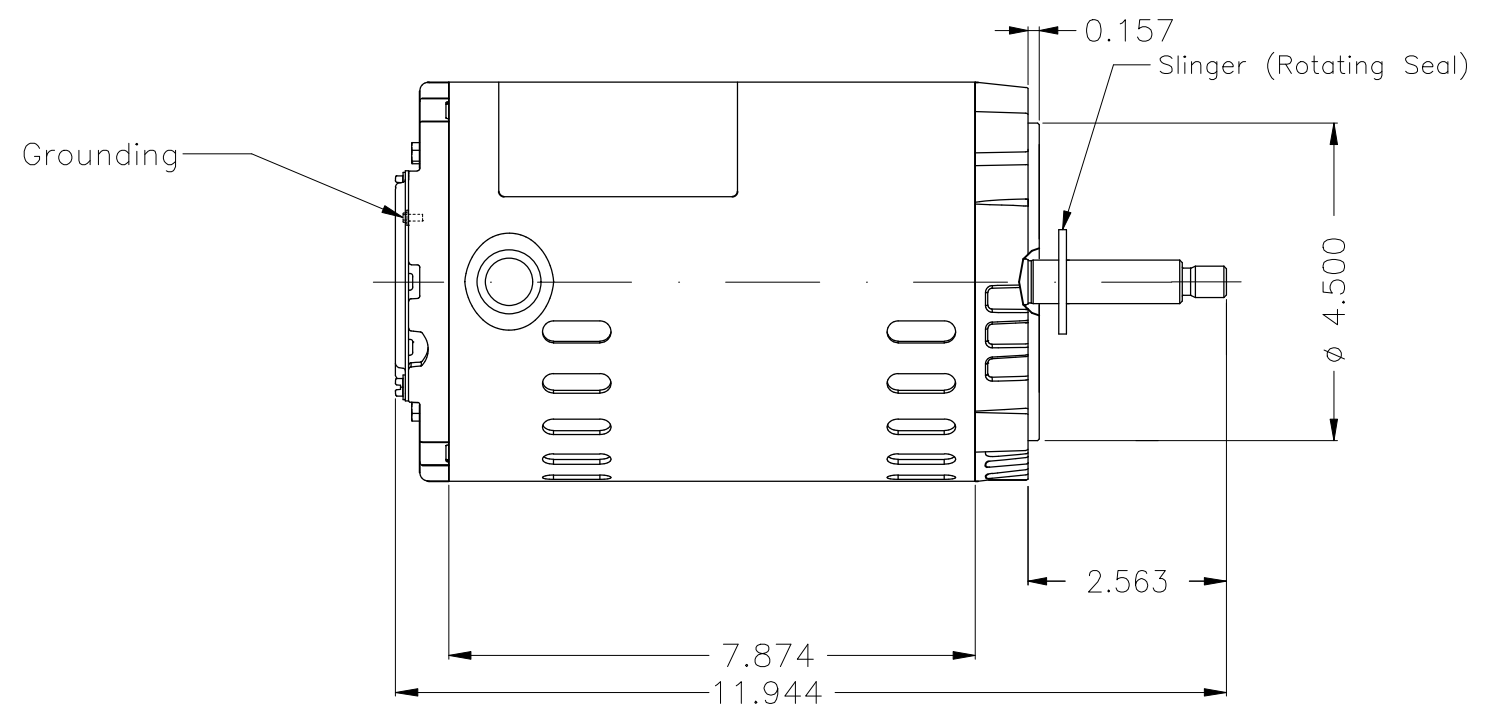
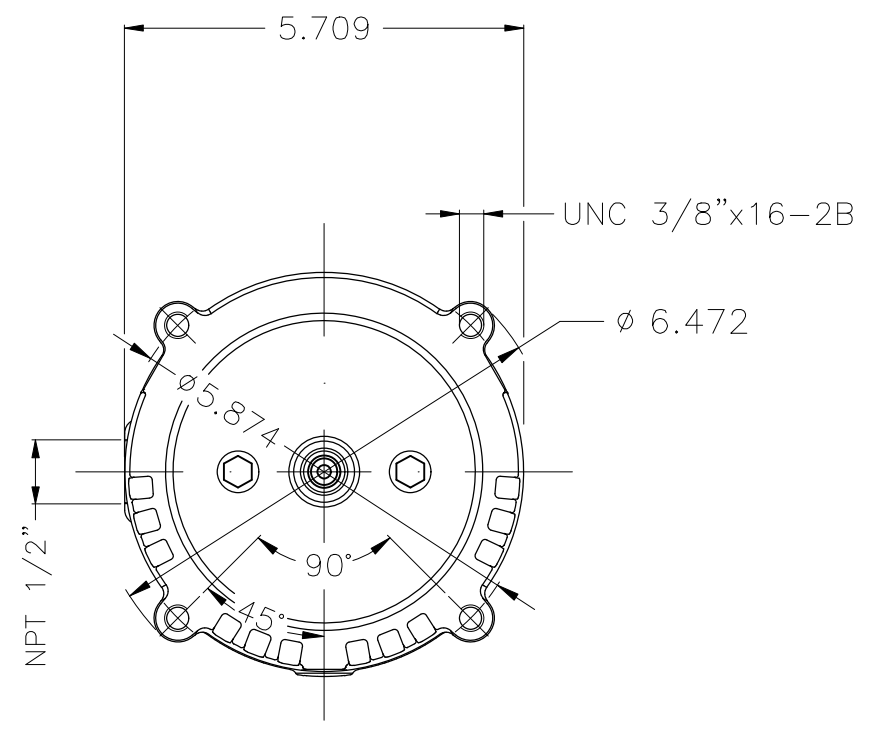


A
B
C
D
E



Color Munsell N 1 matte black											
Painting plan 207N											
Mounting F-1/B14R(D)											
								HYBRISUSER		00	
ECM	LOC	SUMMARY OF MODIFICATIONS					EXECUTED	CHECKED	RELEASED	DATE	VER
EXECUTED	HYBRISUSER	THREE PH. MOTOR ROLLED STEEL JET PUMP THREADED PREM.FEE									
CHECKED		FRAME W56J IP21 ODP									
RELEASED											
REL. DATE		WMO	Jaragua do Sul		Product Engineering	WDD	00	SHEET 1 / 1			

