

1 2 3 4 5 6

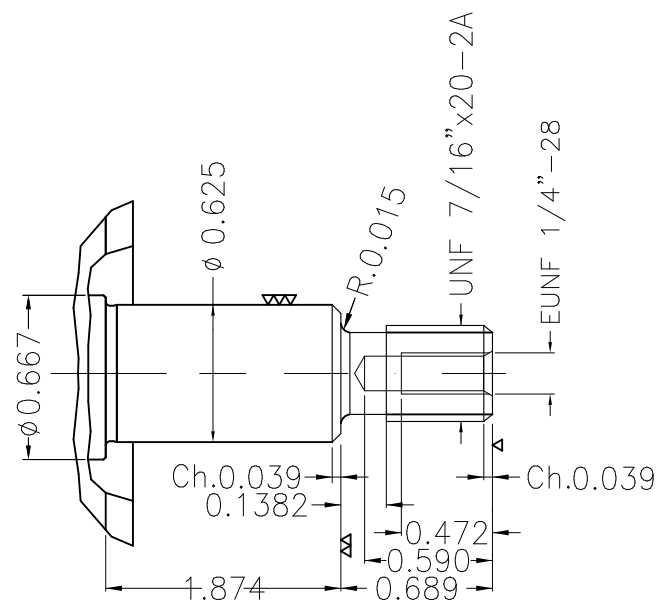
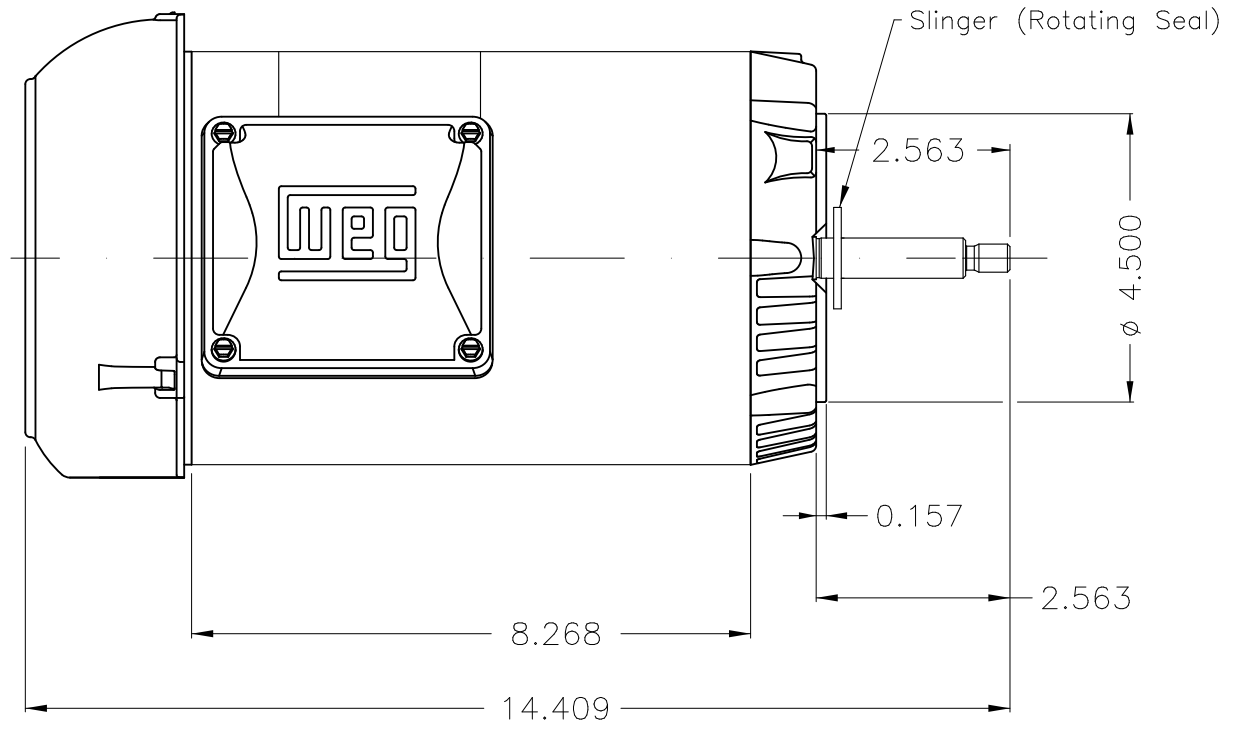
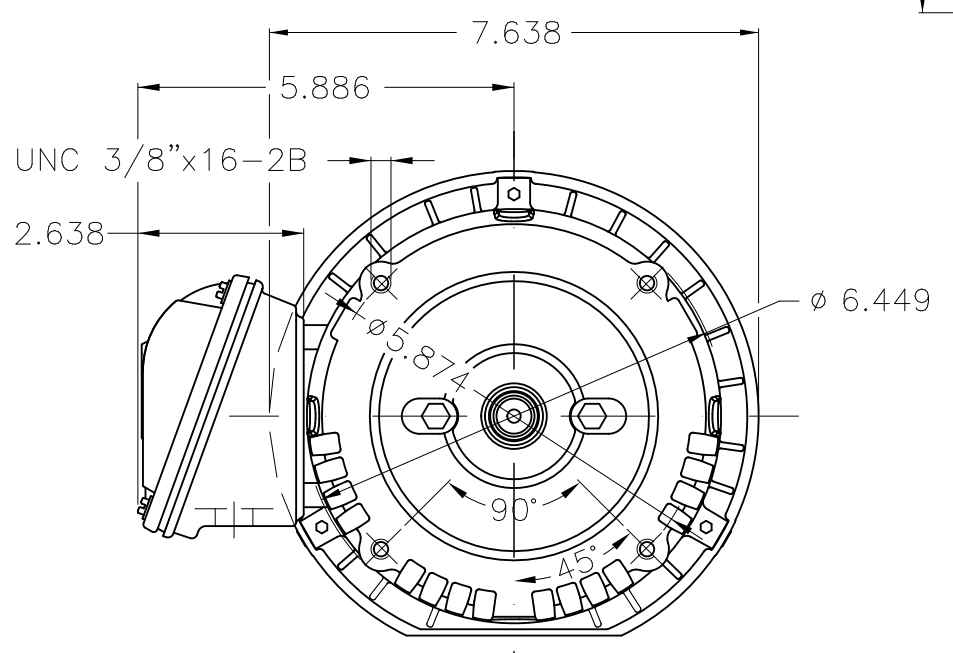
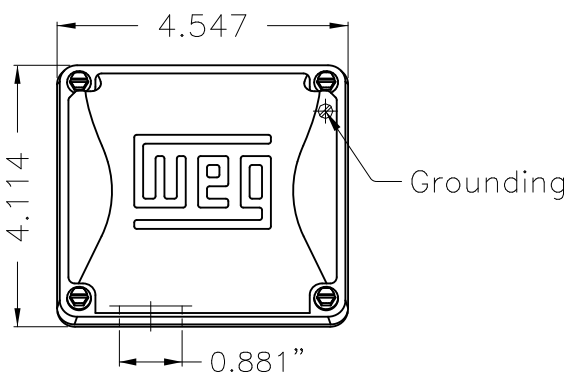
A

B

C

D

E



Color Munsell N 1 matte black
 Painting plan 207N
 Mounting F-1/B14R(D)

						HYBRISUSER				00
ECM	LOC	SUMMARY OF MODIFICATIONS				EXECUTED	CHECKED	RELEASED	DATE	VER
EXECUTED	HYBRISUSER	THREE PH. MOTOR ROLLED STEEL JET PUMP THREADED PUMP FEET								
CHECKED		FRAME 56J IP55 TEFC								
RELEASED										
REL. DATE		WMO	Jaragua do Sul	Product Engineering	SHEET		1 / 1	PREVIEW		

2 HP 04 Poles 60 Hz