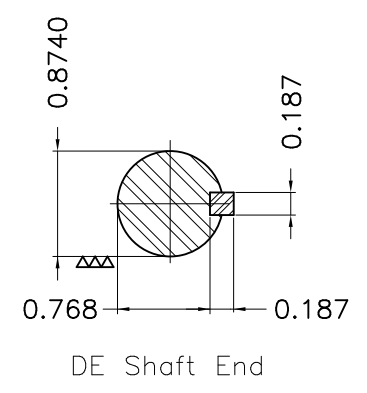
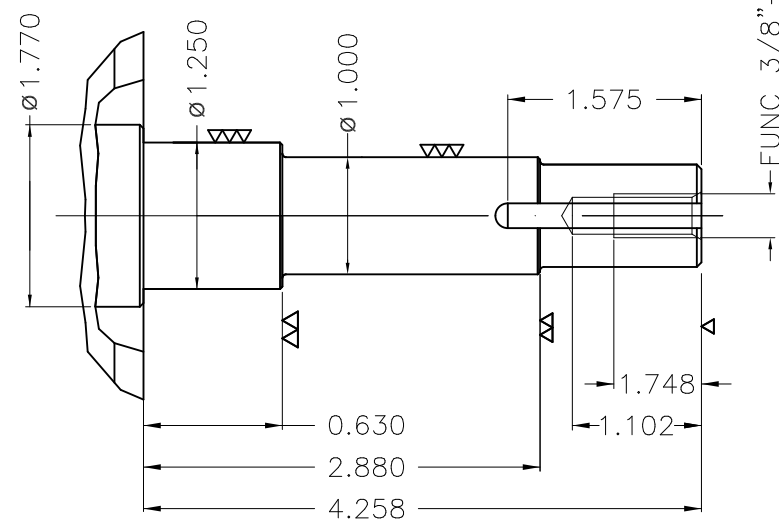
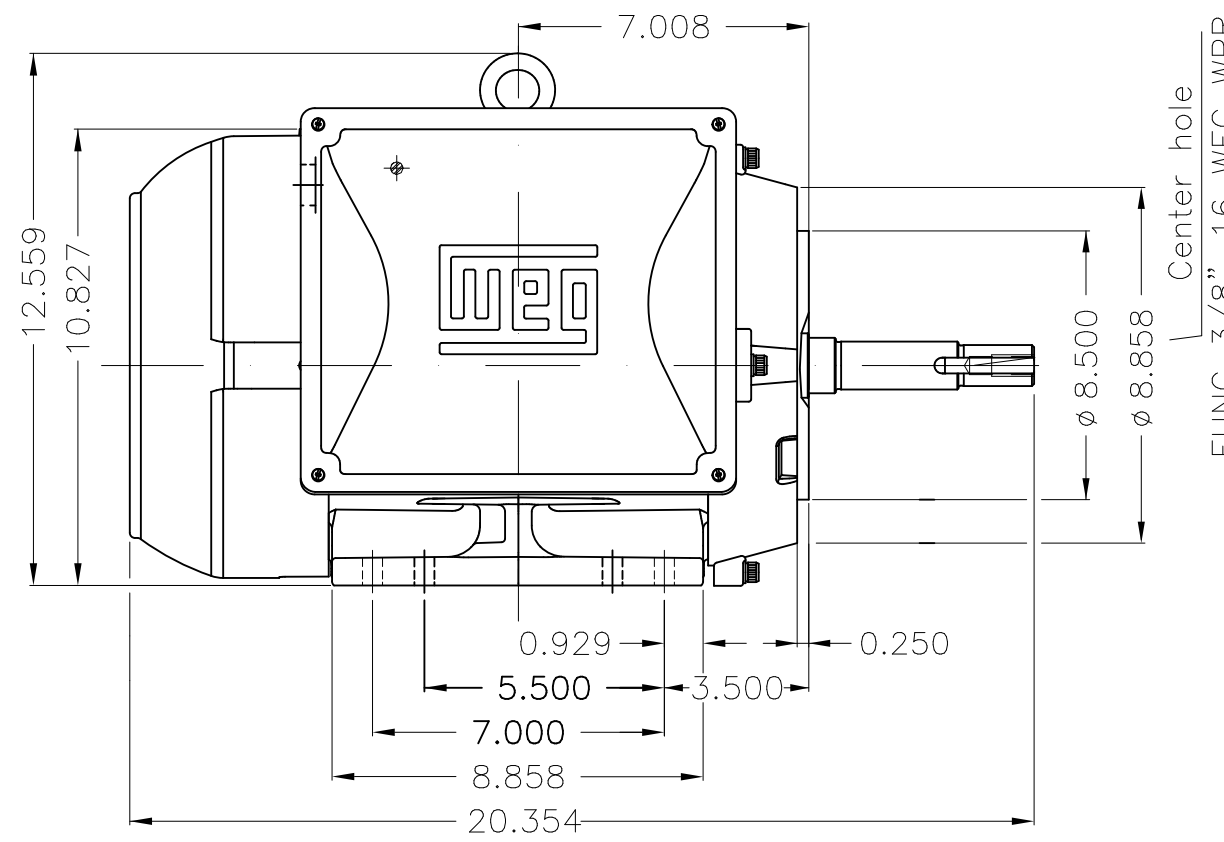
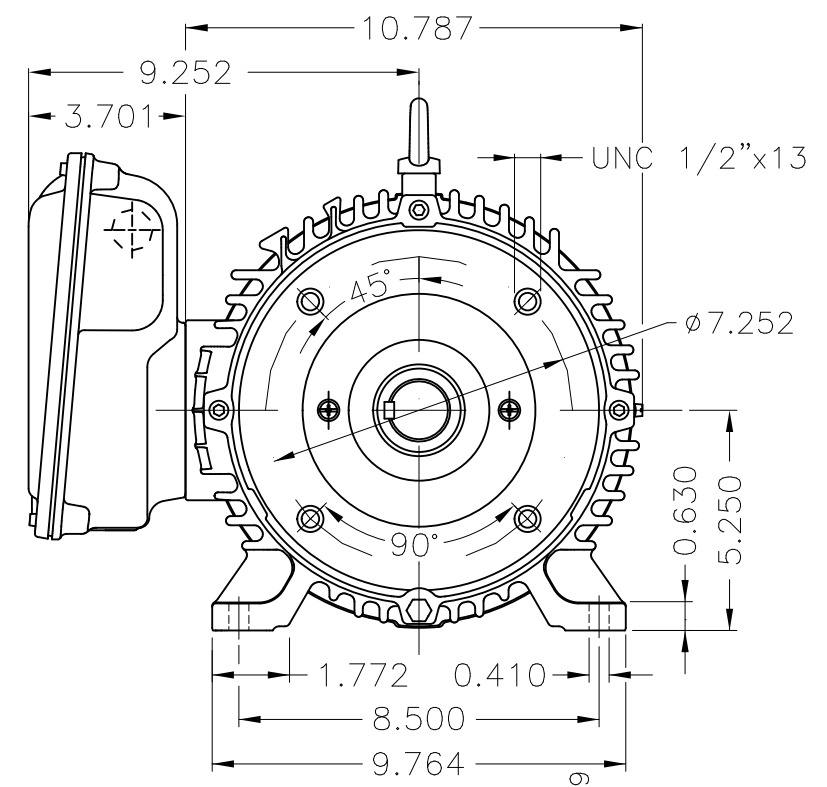
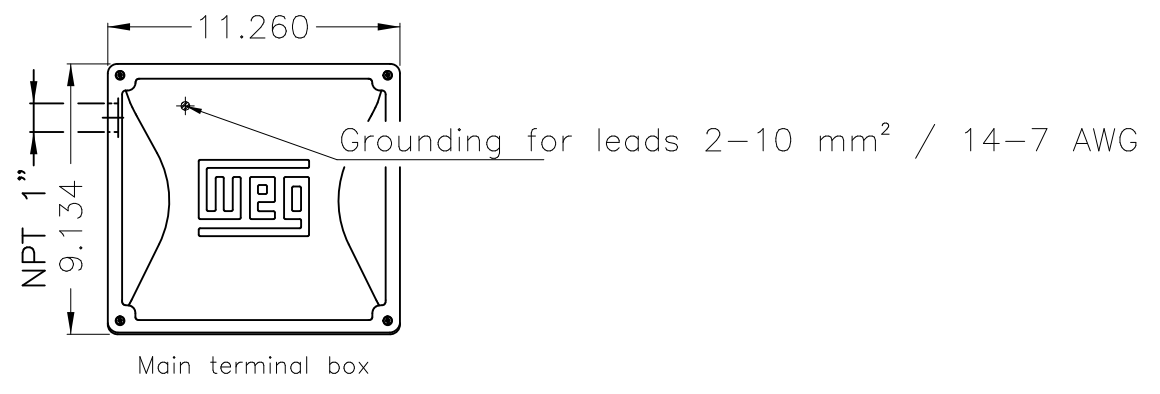


1 2 3 4 5 6

A
B
C
D
E



Mounting NEMA F-1					
Mounting B34R(D)					
				HYBRISUSER	00
ECM	LOC	SUMMARY OF MODIFICATIONS	EXECUTED	CHECKED	RELEASED DATE VER
EXECUTED	HYBRISUSER	SINGLE PH. MOTOR W22 CLOSE COUPLED PUMP JM TYPE FRAME 213/5JM IP55 TEFC			
CHECKED					
RELEASED					
REL. DATE	WMO	Jaragua do Sul	Product Engineering	WDD	00

10 HP 04 Poles 60 Hz

A REL. DATE WMO Jaragua do Sul Product Engineering SHEET 1 / 1

