

1 2 3 4 5 6

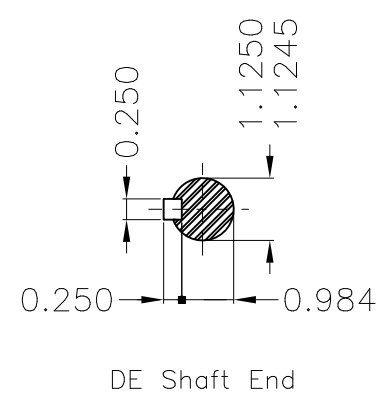
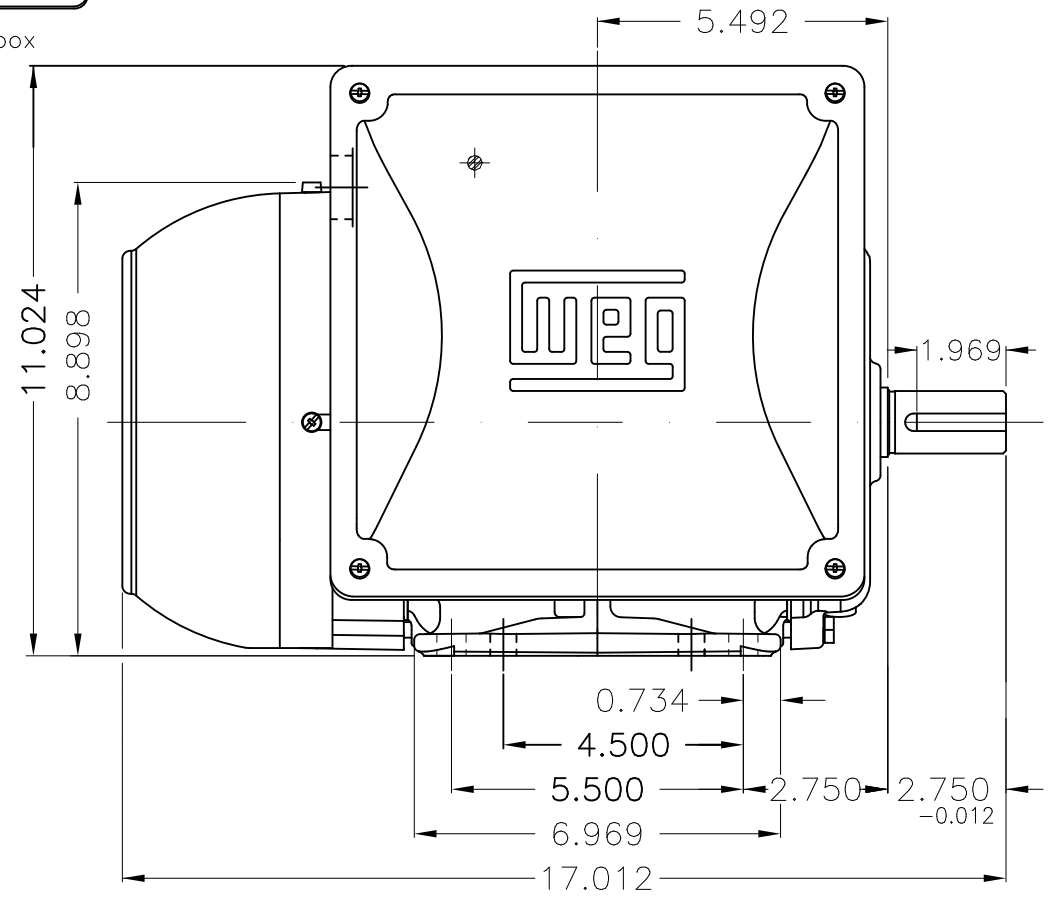
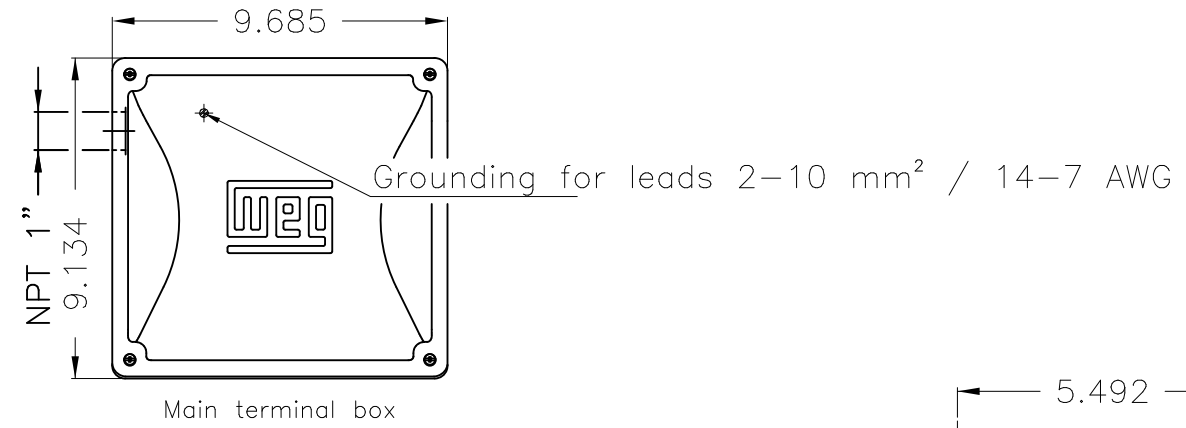
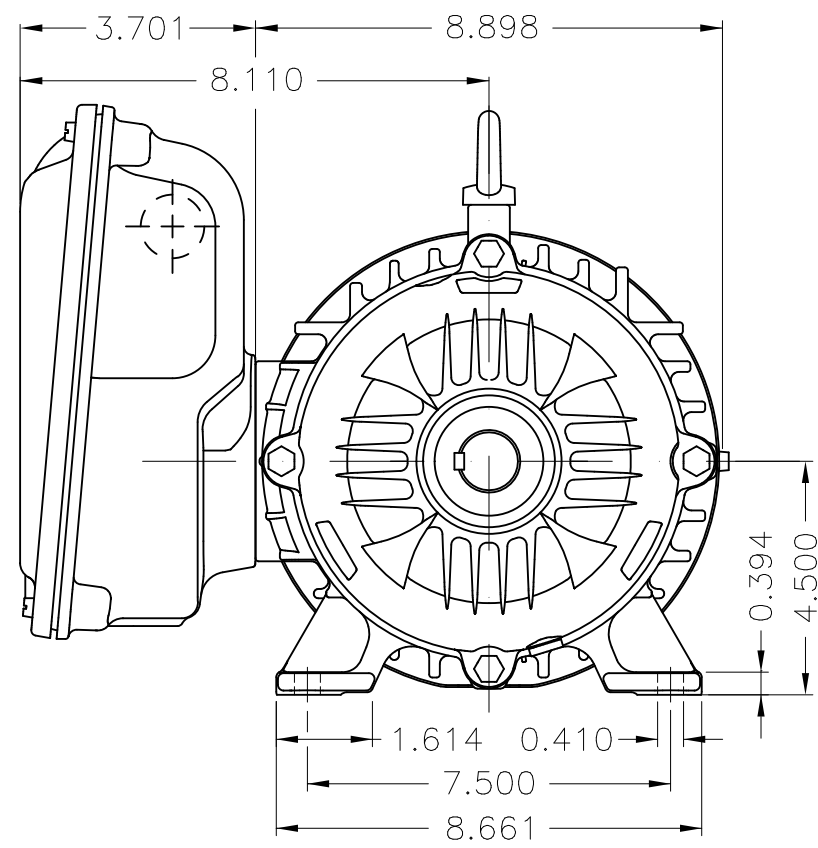
A

B

C

D

E



Dimensions in inches

Mounting NEMA F-1					
Mounting B3R(D)					
				HYBRISUSER	00
ECM	LOC	SUMMARY OF MODIFICATIONS		EXECUTED	CHECKED
EXECUTED	HYBRISUSER	SINGLE PH. MOTOR W22			
CHECKED		FRAME 182/4T IP55 TEFC			
RELEASED					
REL. DATE		WMO	Jaragua do Sul	Product Engineering	

3 HP 02 Poles 60 Hz

A PREVIEW WDD 00 SHEET 1 / 1

