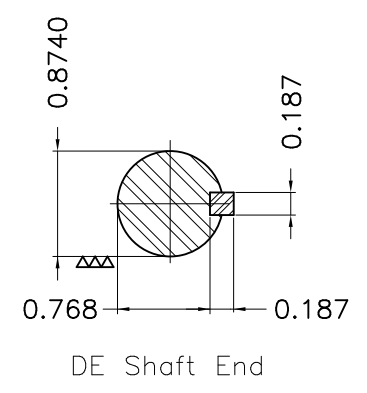
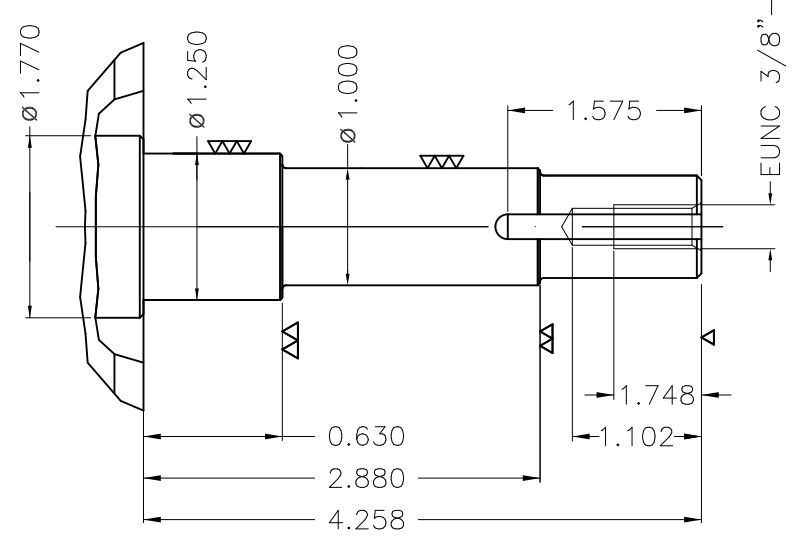
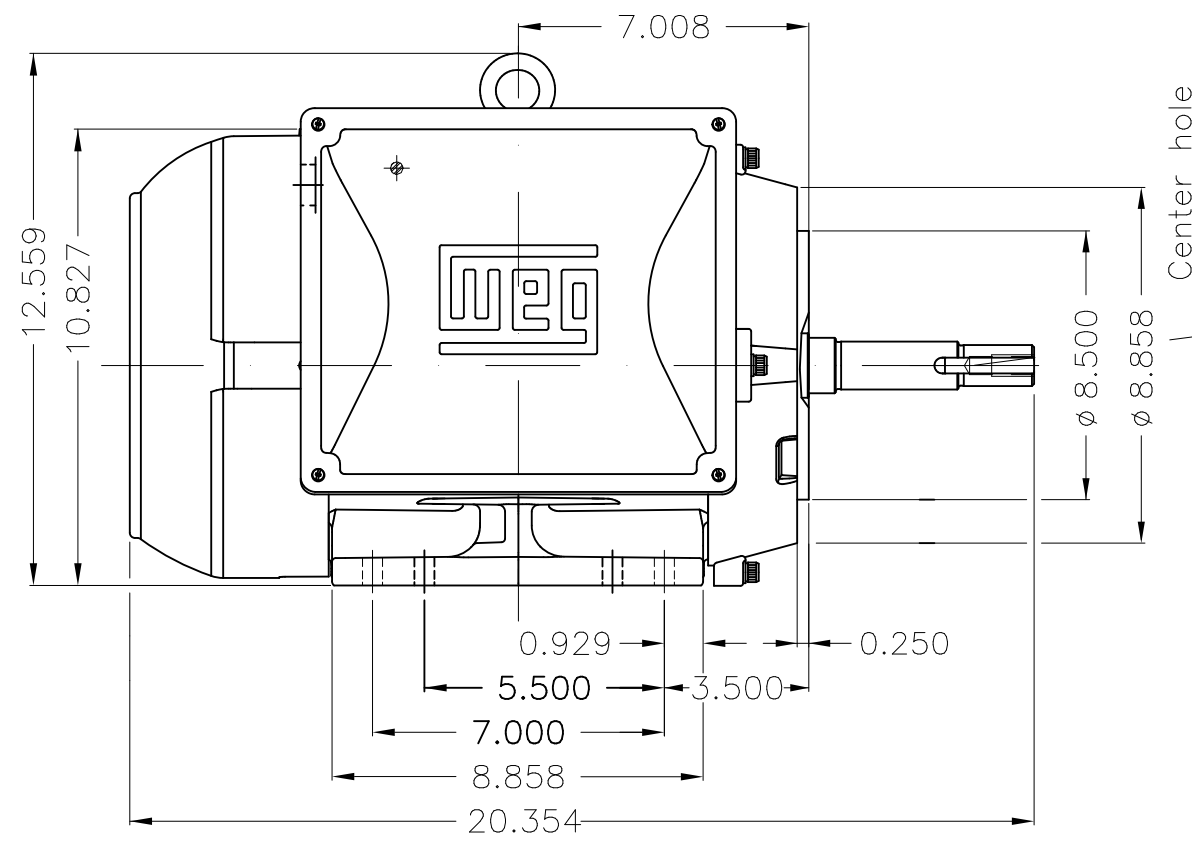
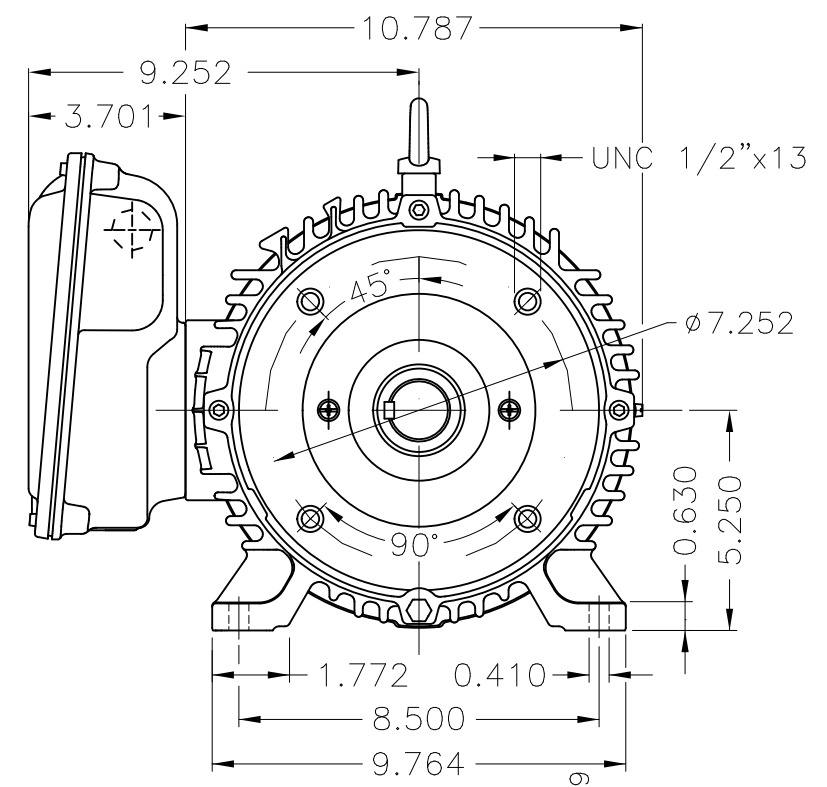
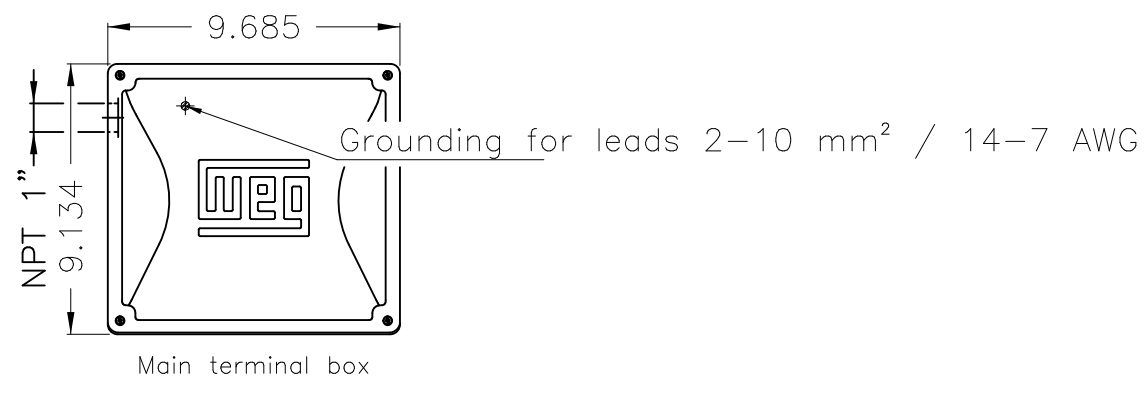


1 2 3 4 5 6

A
B
C
D
E



Mounting NEMA F-1									
Mounting B34R(D)									
					HYBRISUSER			00	
ECM	LOC	SUMMARY OF MODIFICATIONS			EXECUTED	CHECKED	RELEASED	DATE	VER
EXECUTED	HYBRISUSER	SINGLE PH. MOTOR W22 CLOSE COUPLED PUMP JM TYPE FRAME 213/5JM IP55 TEFC			PREVIEW				
CHECKED					WDD 00				
RELEASED					SHEET 1 / 1				
REL. DATE		WMO	Jaragua do Sul	Product Engineering					

7.5 HP 04 Poles 60 Hz



Dimensions in inches XME A3