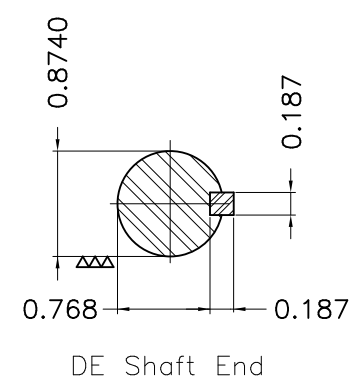
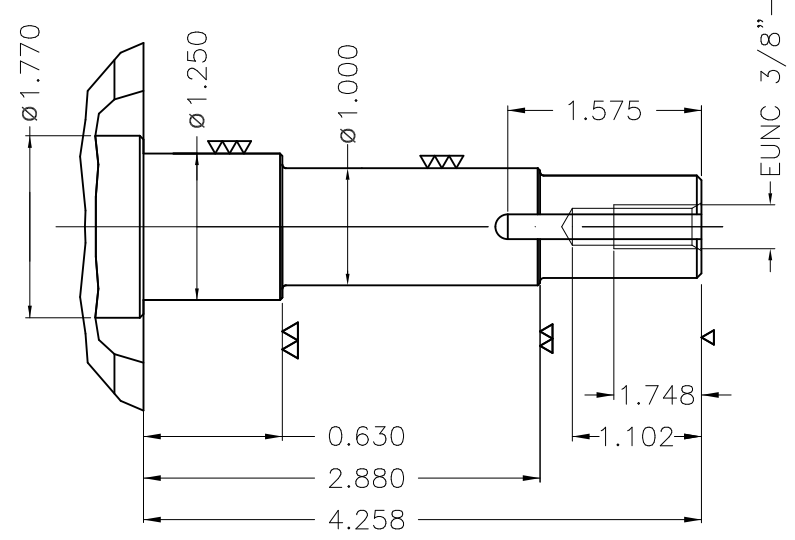
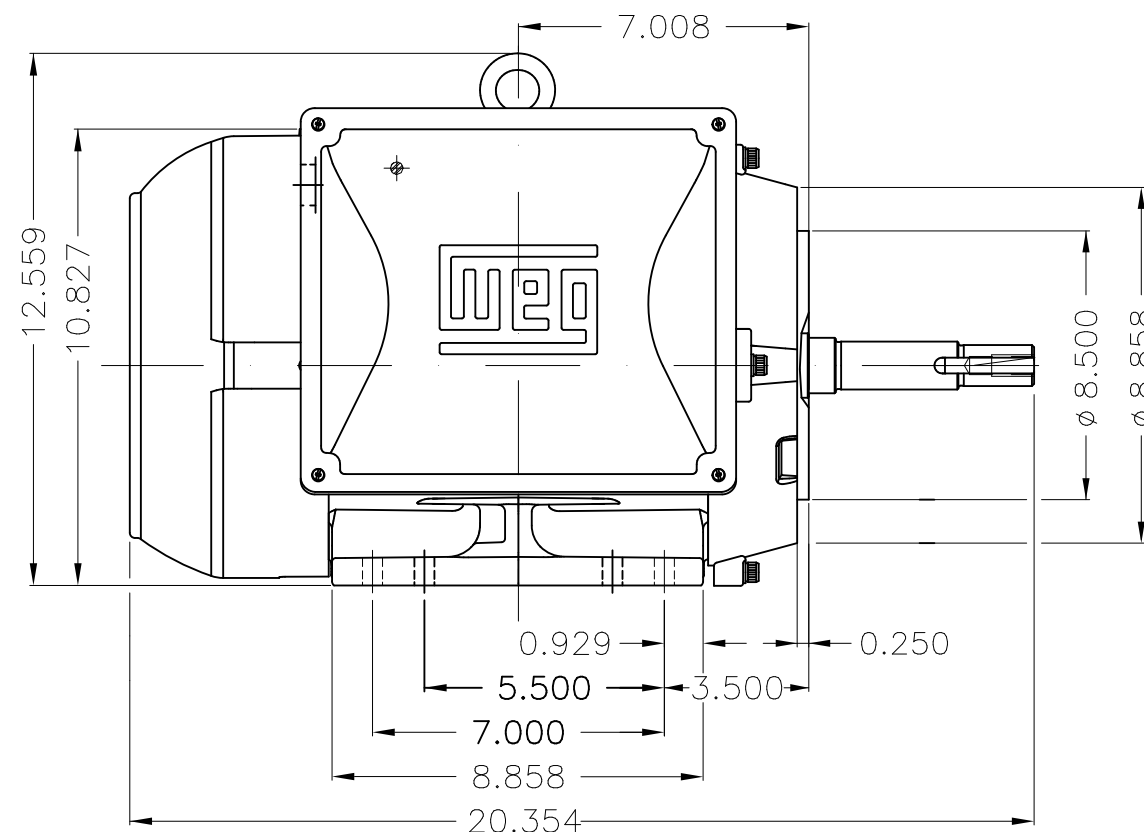
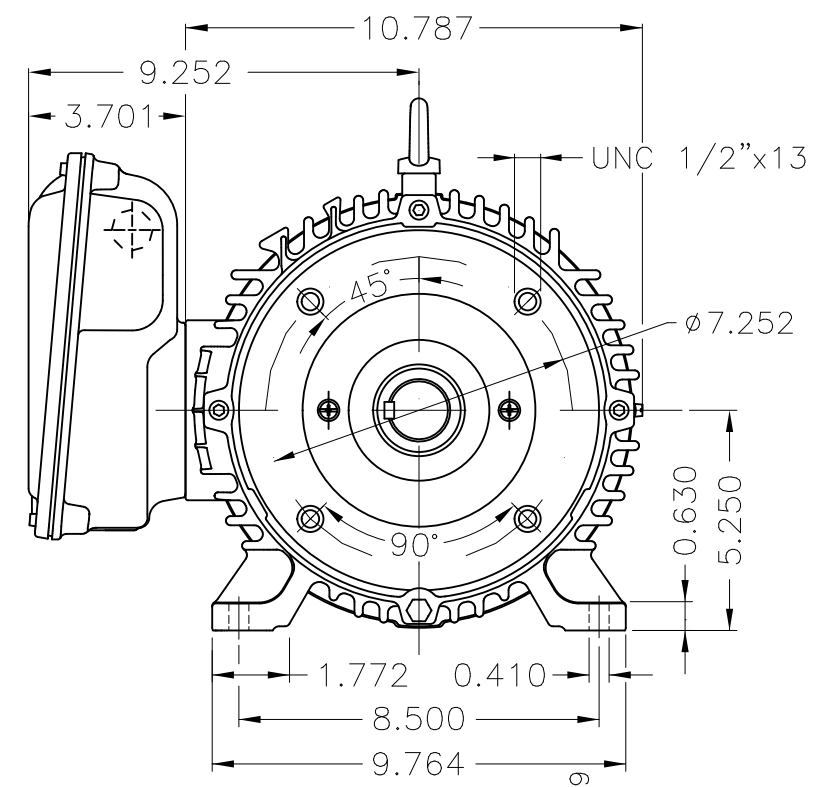
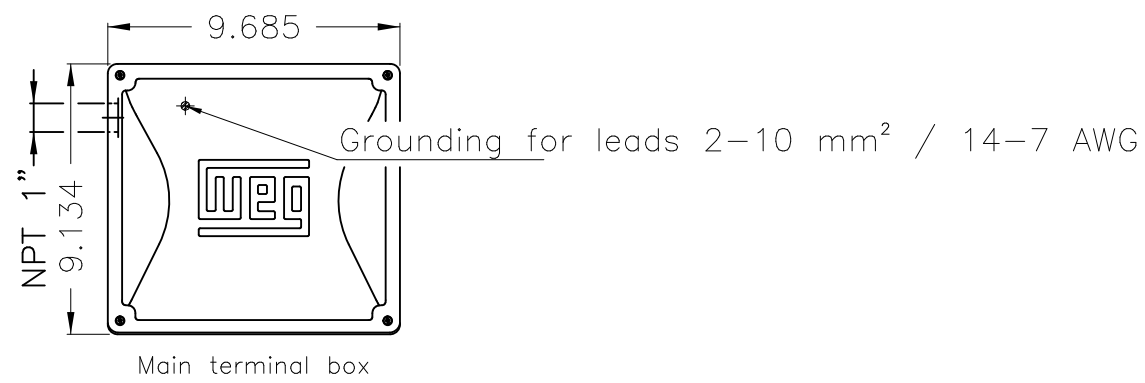


1 2 3 4 5 6

A  
B  
C  
D  
E



Mounting NEMA F-1										
Mounting B34R(D)										
HYBRISUSER 00										
ECM	LOC	SUMMARY OF MODIFICATIONS				EXECUTED	CHECKED	RELEASED	DATE	VER
EXECUTED	HYBRISUSER	SINGLE PH. MOTOR W22 CLOSE COUPLED PUMP JM TYPE								
CHECKED		FRAME 213/5JM IP55 TEFC								
RELEASED										
REL. DATE		WMO	Jaragua do Sul	Product Engineering						

7.5 HP 02 Poles 60 Hz

PREVIEW  
WDD 00  
SHEET 1 / 1

Dimensions in inches XME A3