

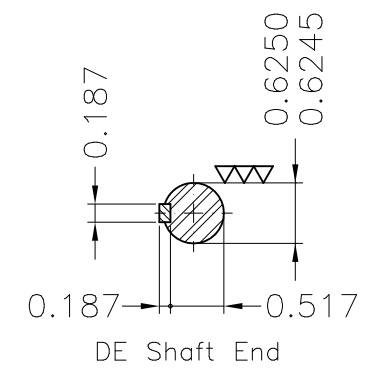
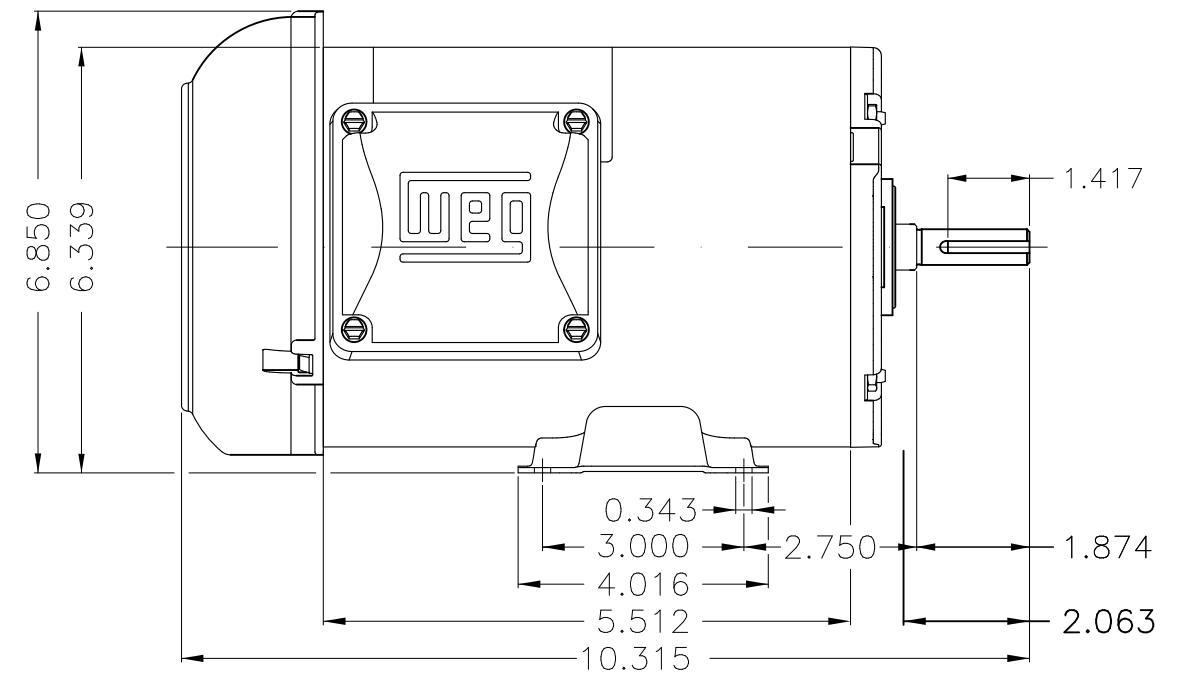
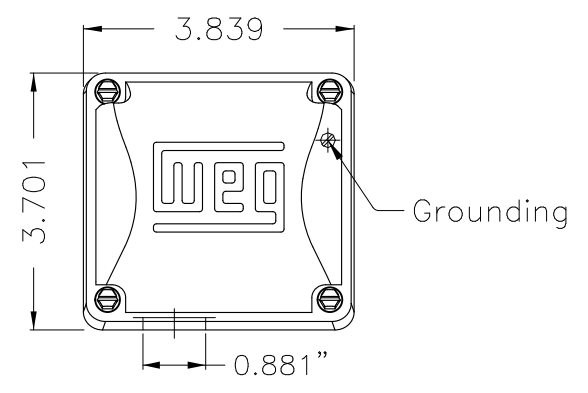
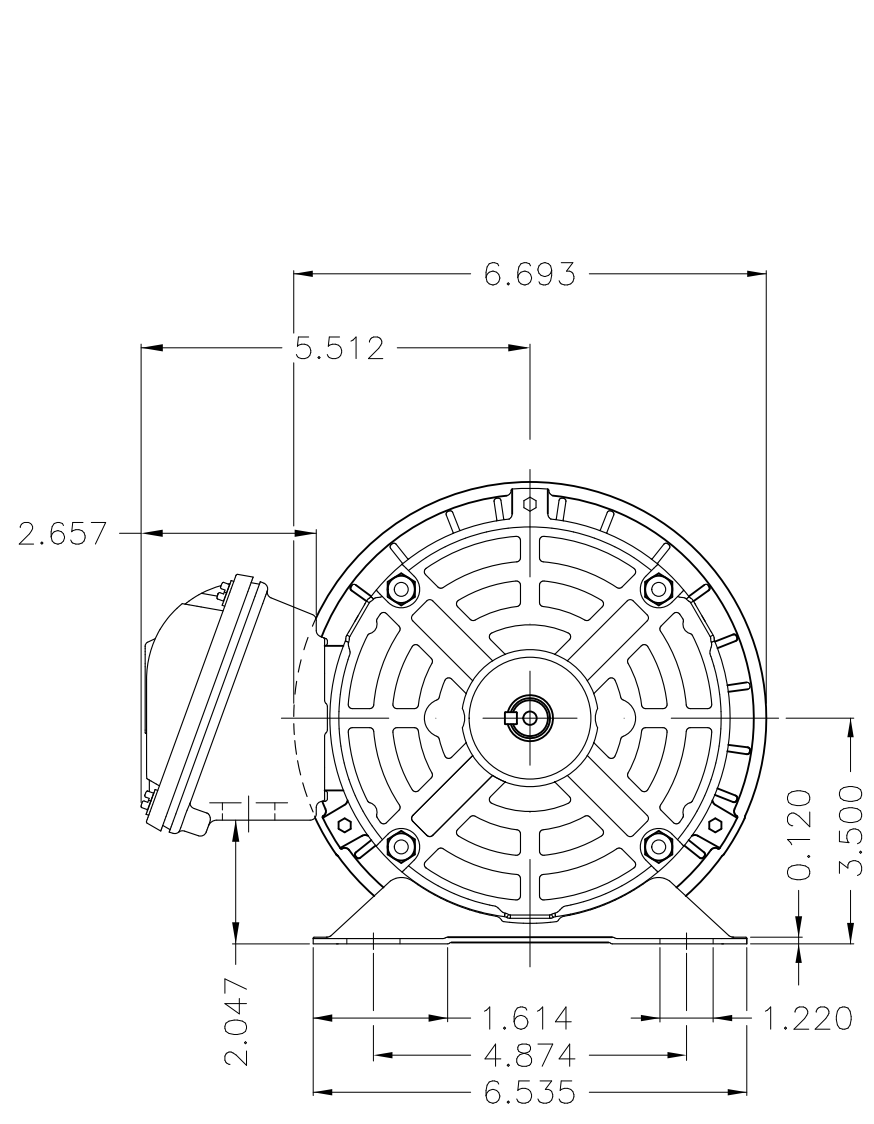
A

B

C

D

E



Color Munsell N 1 matte black
 Painting plan 207N
 Mounting F-1/B3R(D)

ECM	LOC	SUMMARY OF MODIFICATIONS	EXECUTED	CHECKED	RELEASED	DATE	VER
EXECUTED	HYBRISUSER	THREE PH. MOTOR ROLLED STEEL					00
CHECKED		FRAME W56 IP55 TEFC					
RELEASED							
REL. DATE	WMO	Jaragua do Sul	Product Engineering	WDD	00	PREVIEW	
SHEET			1 / 1				

0.33 HP 02 Poles 60 Hz

A