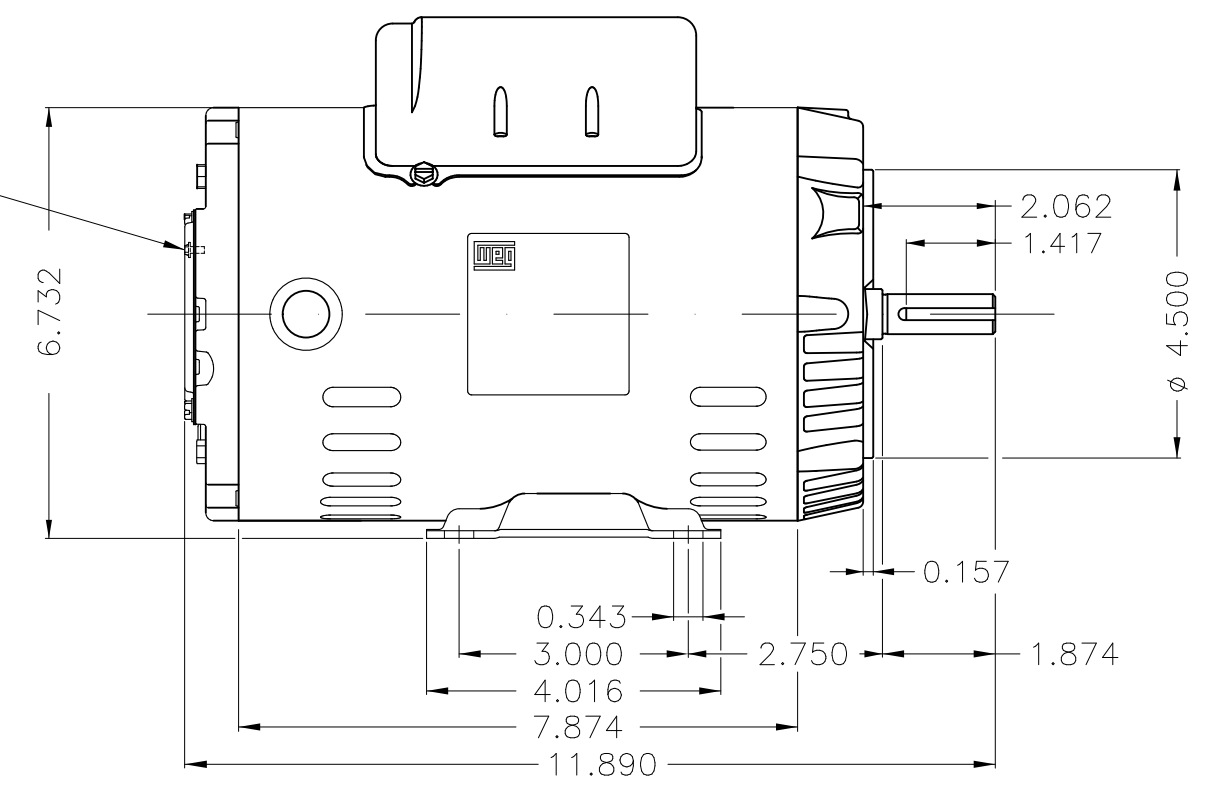


Grounding



Color Munsell N 1 matte black									
Painting plan 207N									
Mounting F-1/B34R(D)									
							00		
ECM	LOC	SUMMARY OF MODIFICATIONS			EXECUTED	CHECKED	RELEASED	DATE	VER
EXECUTED	HYBRISUSER	SINGLE PH. MOTOR ROLLED STEEL PREM. EFF.			PREVIEW				
CHECKED		FRAME 56C IP21 ODP			WDD 00				
RELEASED					SHEET		1 / 1		
REL. DATE		WMO	Jaragua do Sul	Product Engineering					

1 HP 02 Poles 60 Hz

A