

EIXO/SHAFT
 PADRÃO/STANDARD
 OPCIONAL/OPTIONAL
 ESPECIAL/SPECIAL

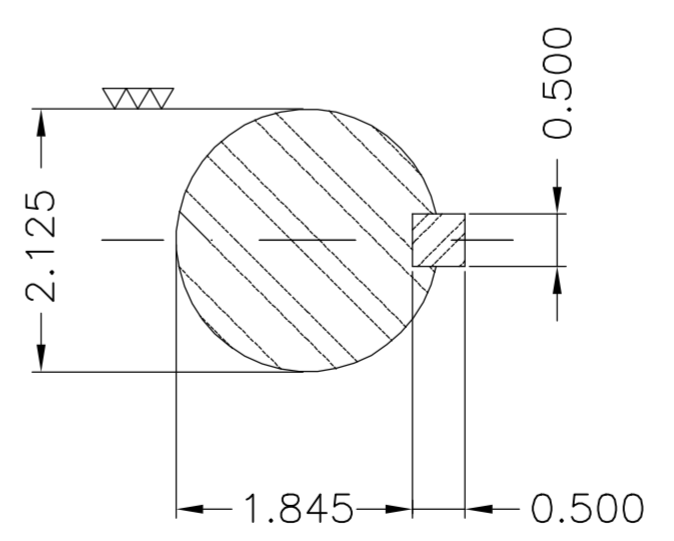
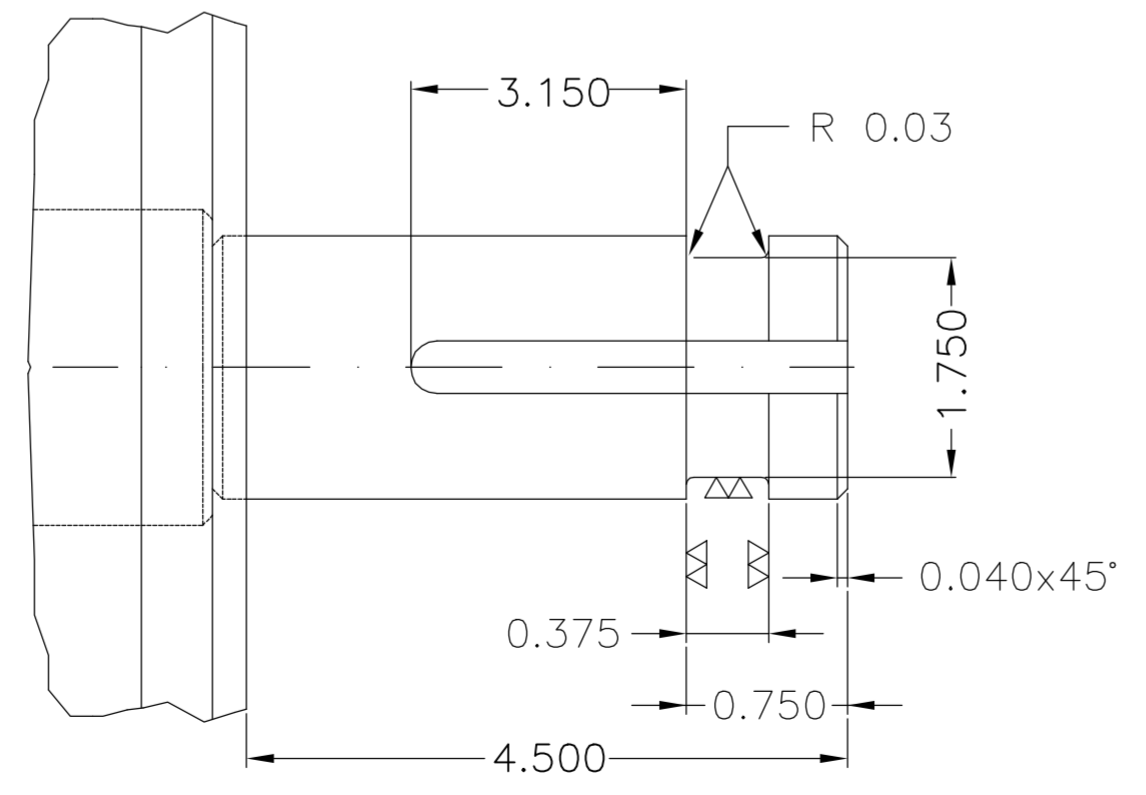
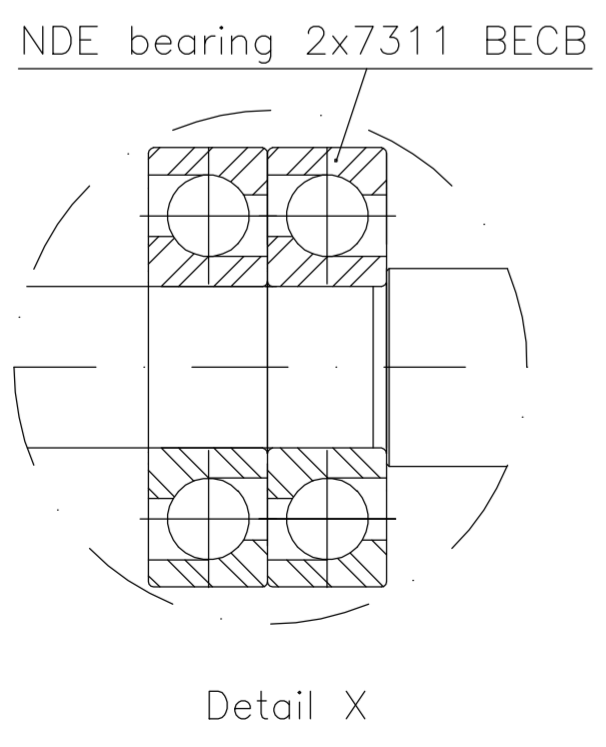
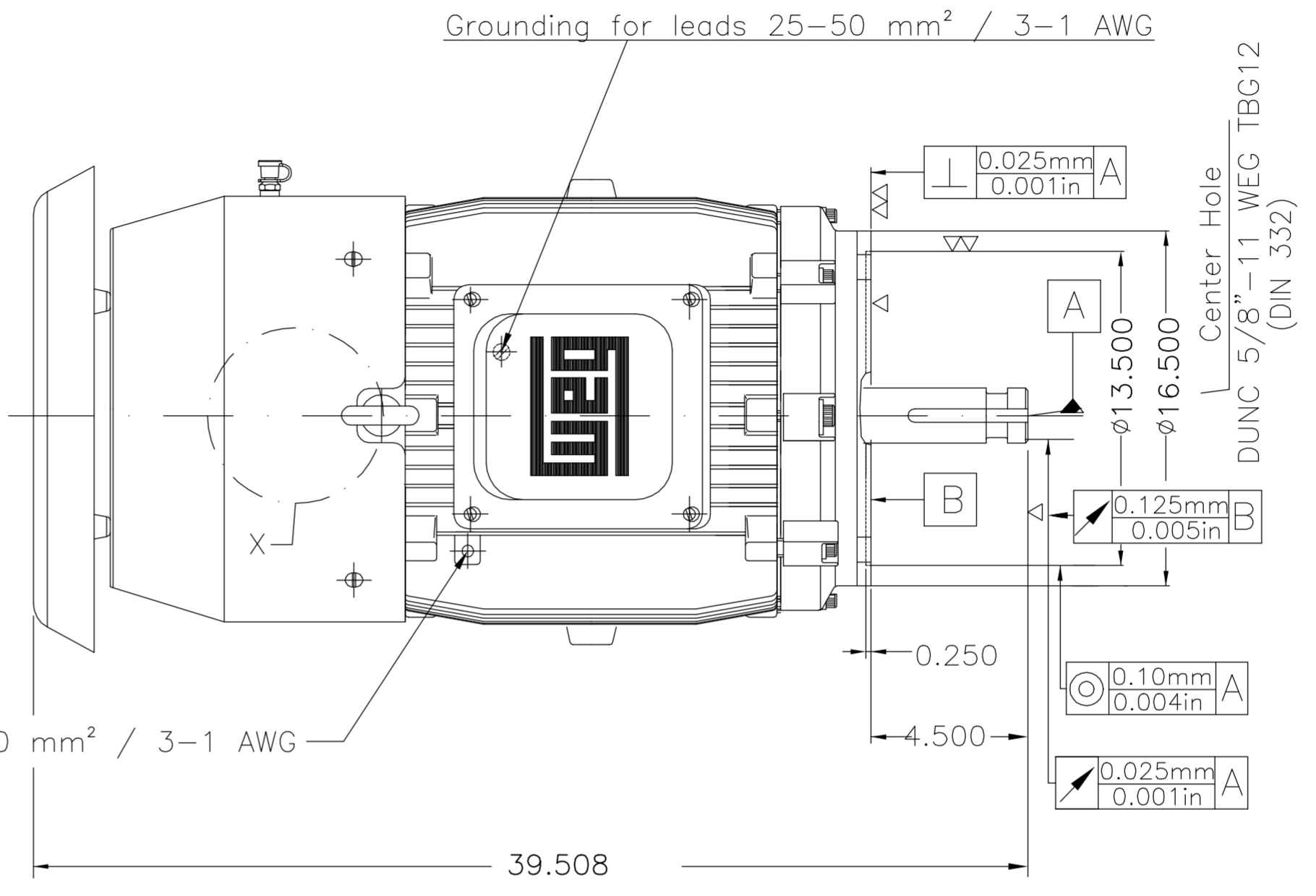
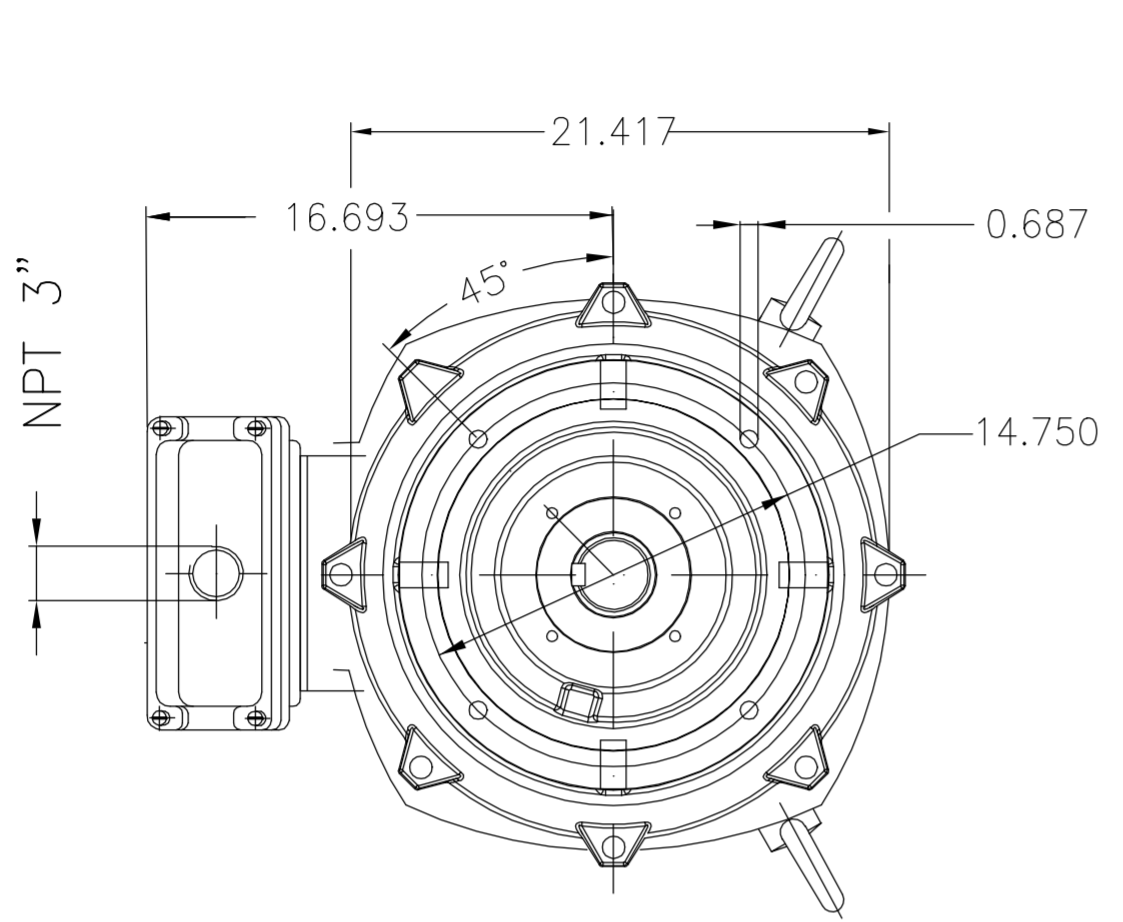
Dimensões em polegada
 Dimensions in inches

CERTIFIED WEG MOTORES
 Certified document.
 Not subject to changes.

THIS IS AN UPDATED REVISION, THE PREVIOUS ONE MUST BE DISREGARDED.

ATENÇÃO/ATTENTION
 MOTOR DEVE SER LIGADO APENAS NA POSIÇÃO VERTICAL
 MOTOR MUST BE ENERGIZED ONLY IN THE VERTICAL POSITION

Sentido da Carga
 Axial Thrust Direction



Rolamentos traseiros de contato angular (2x) 7311 BECB
 (2x) 7311 BECB NDE angular contact ball bearing
 Sentido de rotação horário / Clockwise rotation
 Cor RAL 5009 / Color RAL 5009
 Plano de pintura 203A / Painting plan 203A
 Forma construtiva NEMA W-6 / Mounting NEMA W-6
 Forma construtiva V1 / Mounting V1
V.J. PAMENSKY CANADA INC.

500001594952	ALTERADO CONF. CLAIM 415204042	RICLAV	DALTONR	DALTONR	24.05.2019	03			
500001319724	ALT. CONF. CLAIM 414679447 -DETALHAMENTO	JOAOVICTOR	ANDERSONFS	ANDERSONFS	06.06.2017	02			
ECM	LOC	SUMMARY OF MODIFICATIONS			EXECUTED	CHECKED	RELEASED	DATE	VER

EXECUTED	JOAOVICTOR		THREE-PHASE IN LINE EXTRA THRUST MOTOR	10004929985	
CHECKED	ADRIANAP		FRAME 364/SLP IP55 TEFC		
RELEASED	ADRIANAP				
REL DT	09.05.2017		WMO		Jaraguá do Sul

75 HP 02 Poles 60Hz 414654929/0 MEC.

UNCONTROLLED COPY

RELEASED

ZME - A2