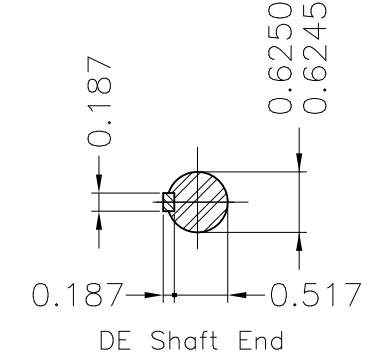
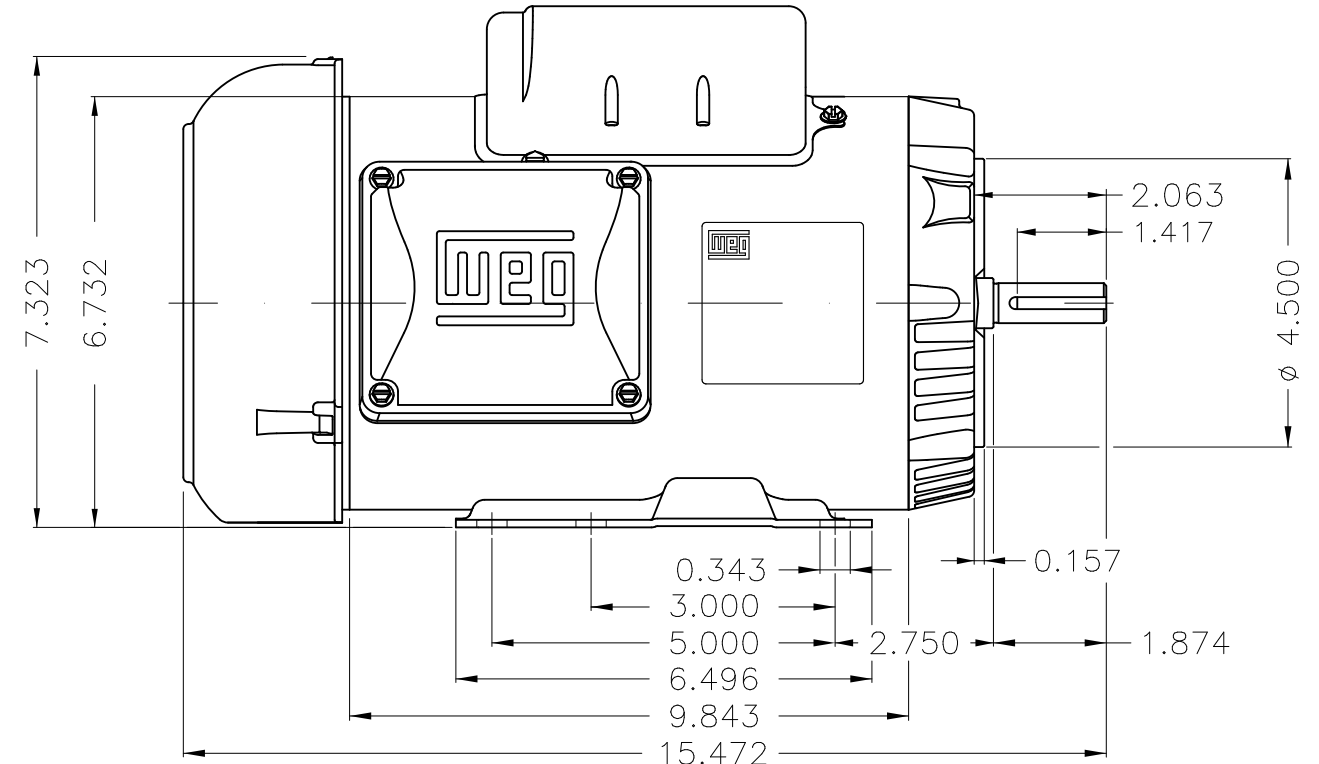
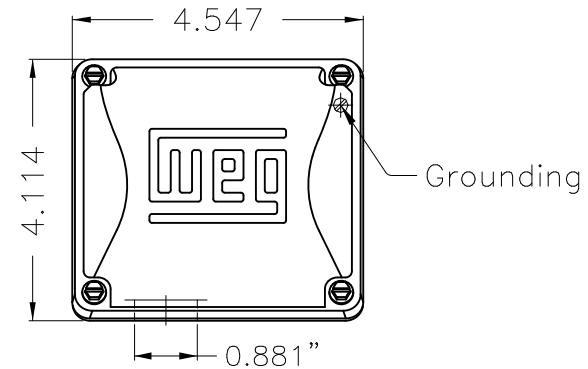
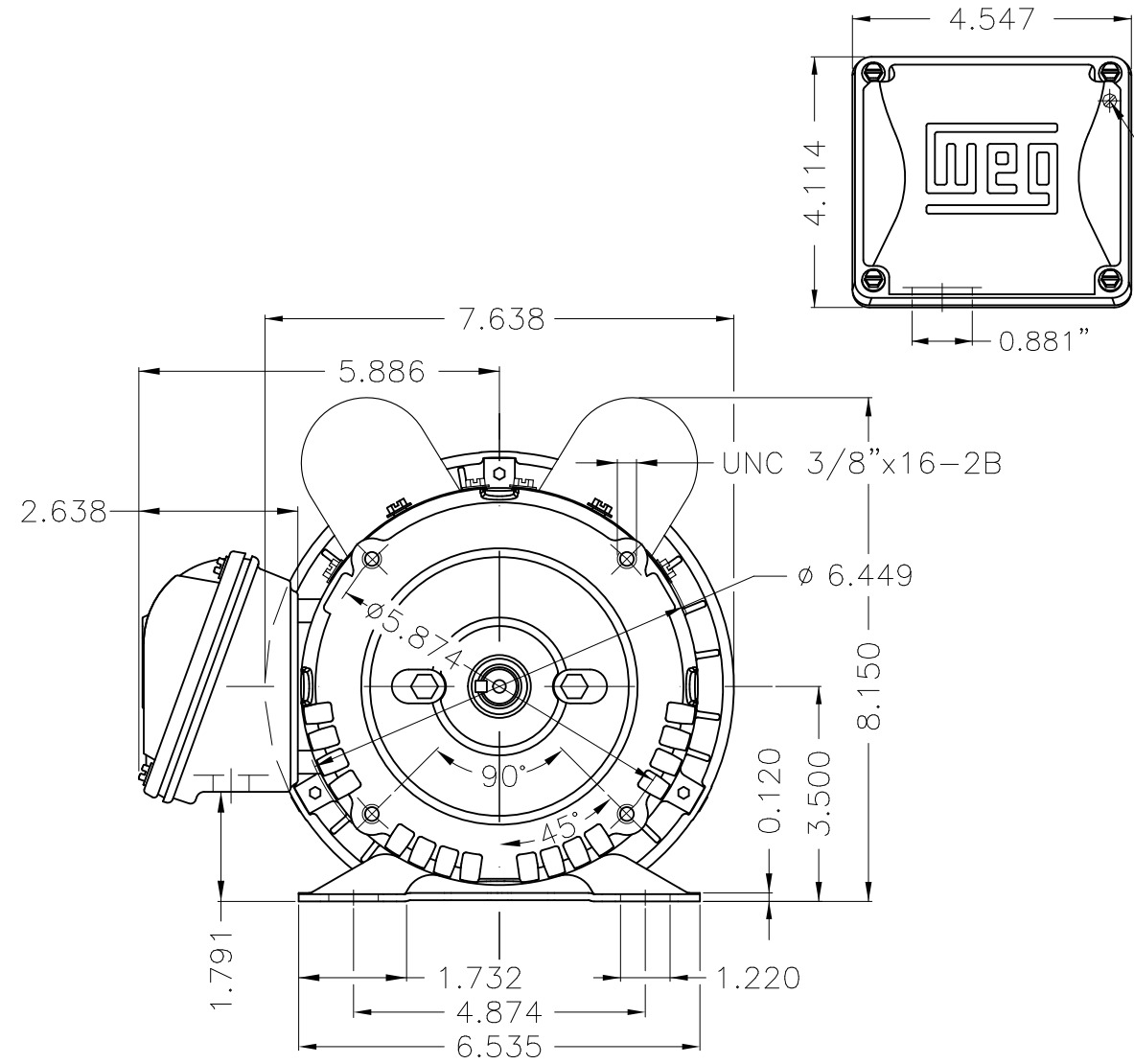


A
B
C
D
E



| | | | | | |
|-------------------------------|------------|---|---------------------|---------|----------|
| Color Munsell N 1 matte black | | | | | |
| Painting plan 207N | | | | | |
| Mounting F-1/B34R(D) | | | | | |
| | | | | | |
| | | | | | 00 |
| ECM | LOC | SUMMARY OF MODIFICATIONS | EXECUTED | CHECKED | RELEASED |
| EXECUTED | HYBRISUSER | SINGLE PH. MOTOR ROLLED STEEL FRAME 56HC IP55 TEFC | | | |
| CHECKED | | | | | |
| RELEASED | | | | | |
| REL. DATE | | WMO Jaragua do Sul | Product Engineering | | |

3 HP 02 Poles 60 Hz

PREVIEW
WDD 00
SHEET 1 / 1

