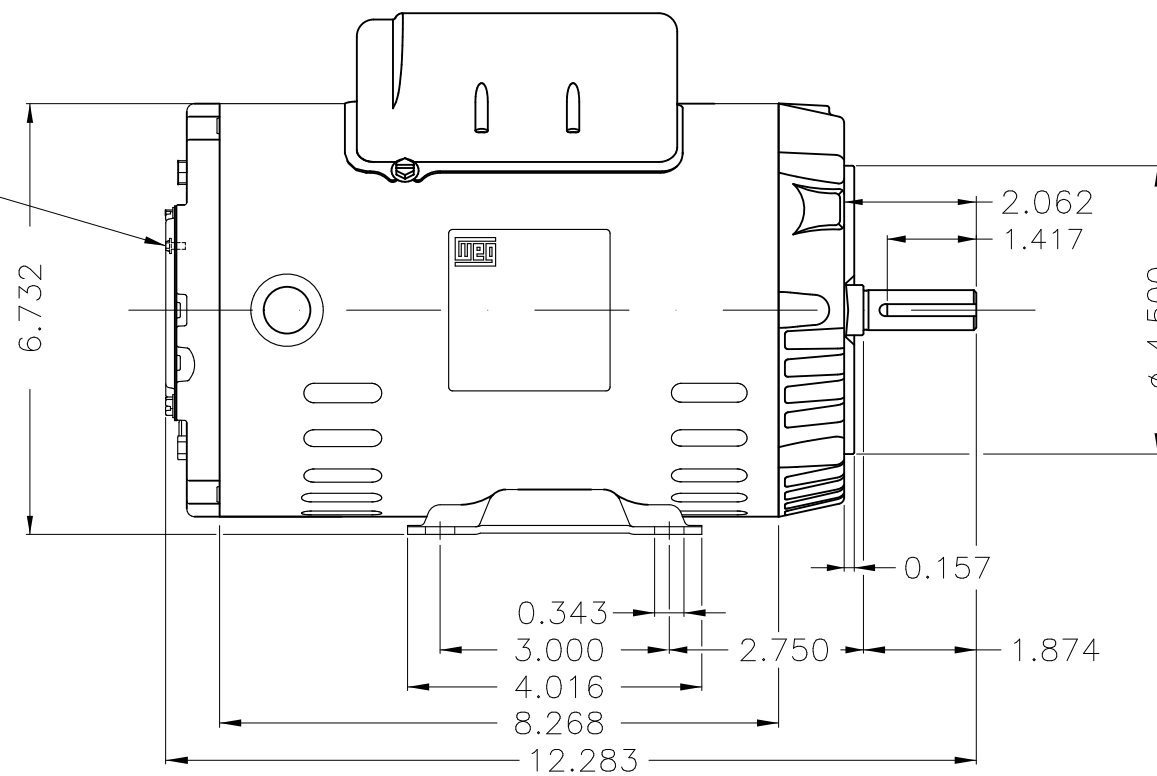


Grounding



Color Munsell N 1 matte black
 Painting plan 207N
 Mounting F-1/B34R(D)

								HYBRISUSER								00	
ECM	LOC	SUMMARY OF MODIFICATIONS						EXECUTED	CHECKED	RELEASED	DATE	VER					
EXECUTED	HYBRISUSER	SINGLE PH. MOTOR ROLLED STEEL PREM. EFF.															
CHECKED		FRAME 56C IP21 ODP															
RELEASED																	
REL. DATE		WMO Jaragua do Sul						Product Engineering		SHEET		1 / 1					

1.5 HP 02 Poles 60 Hz

A

Dimensions in inches

XME A3

