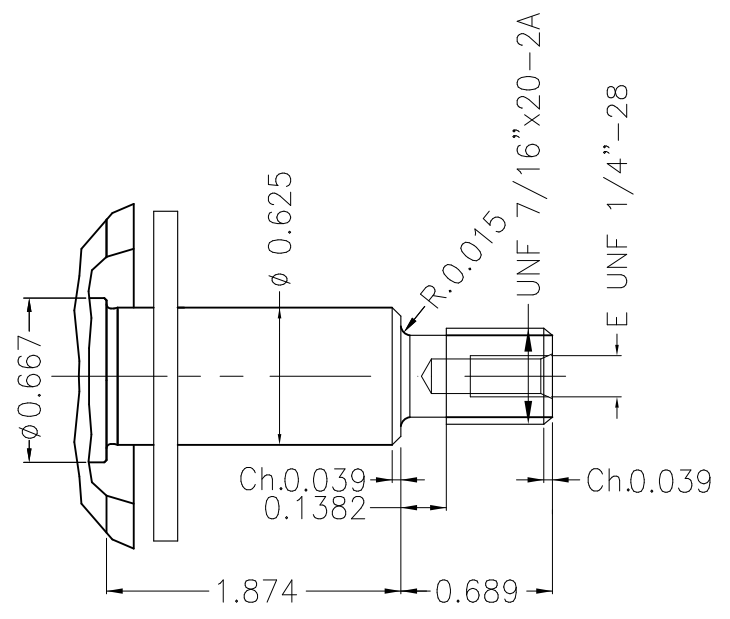
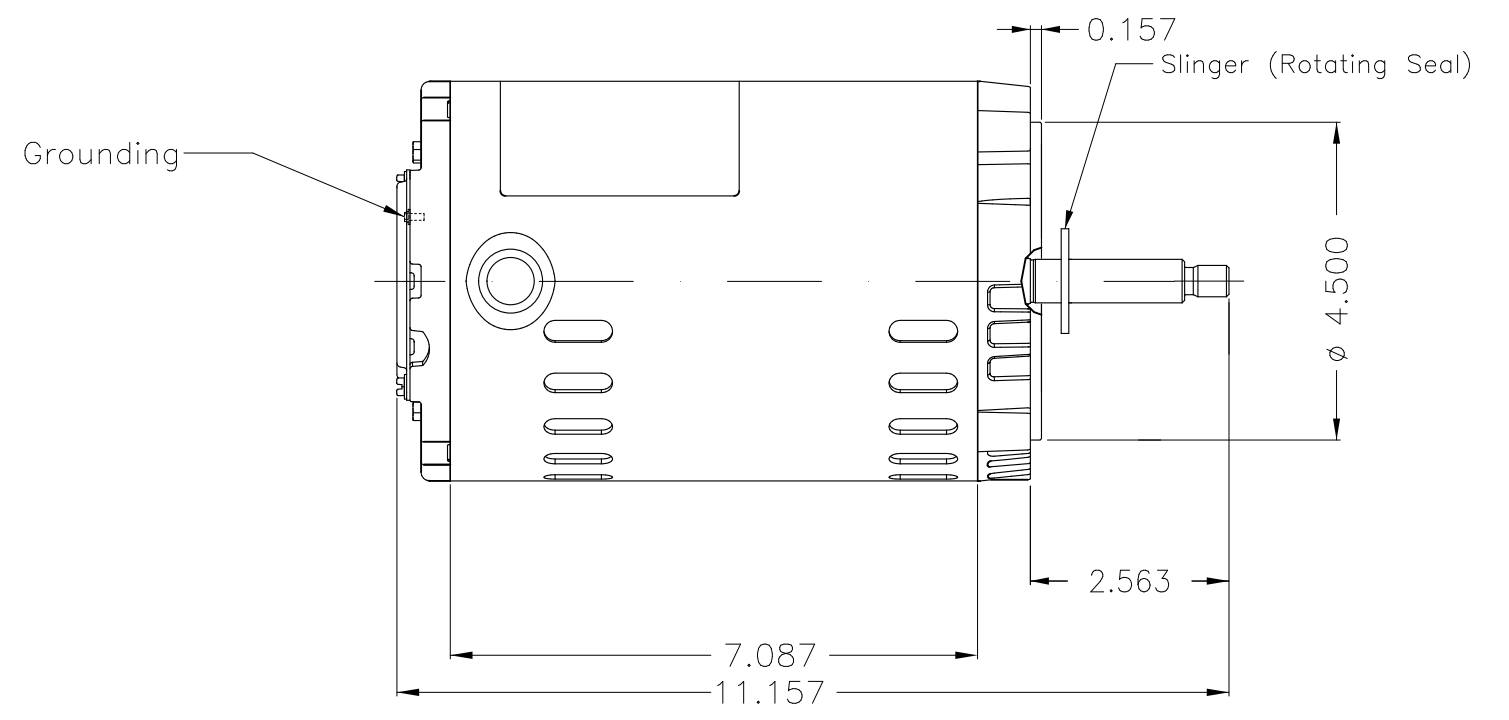
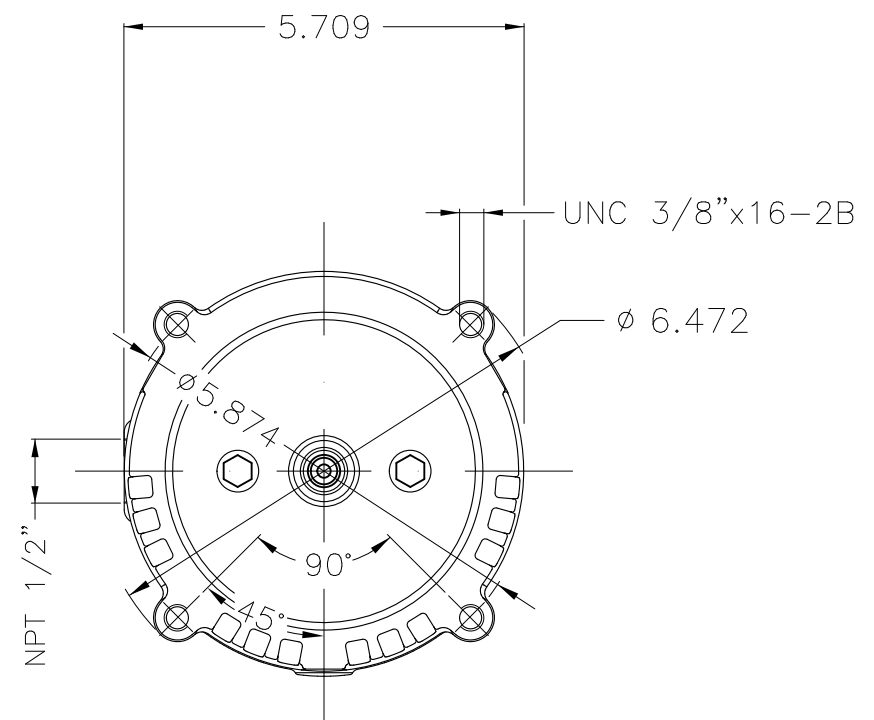


A  
B  
C  
D  
E



Color Munsell N 1 matte black  
 Painting plan 207N  
 Mounting F-1/B14R(D)

						HYBRISUSER				00	
ECM	LOC	SUMMARY OF MODIFICATIONS				EXECUTED	CHECKED	RELEASED	DATE	VER	

EXECUTED	HYBRISUSER		THREE PH. MOTOR ROLLED STEEL JET PUMP THREADED PUMP	<b>PREVIEW</b> WDD 00 SHEET 1 / 1	
CHECKED			FRAME W56J IP21 ODP		
RELEASED					
REL. DATE		WMO	Jaragua do Sul	Product Engineering	

1 HP 02 Poles 60 Hz

A