

1 2 3 4 5 6

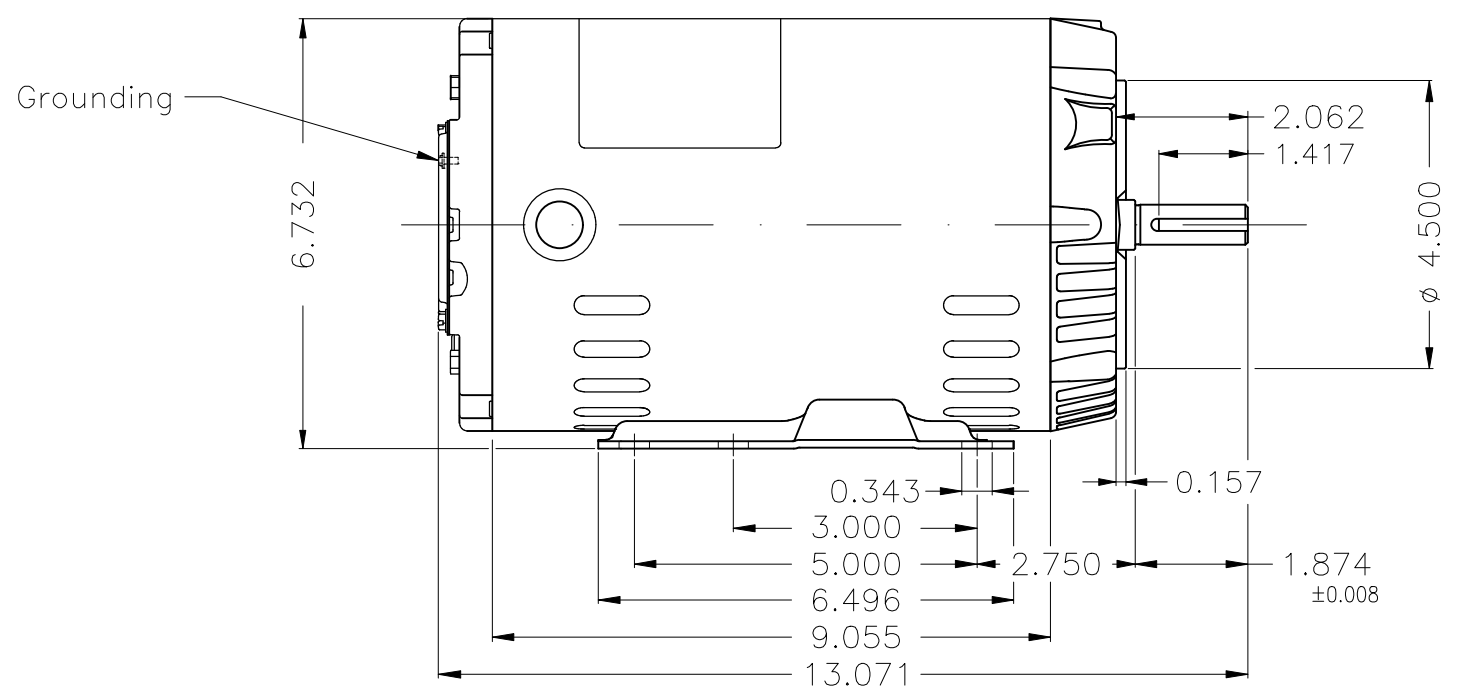
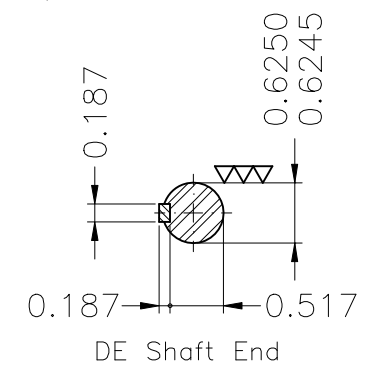
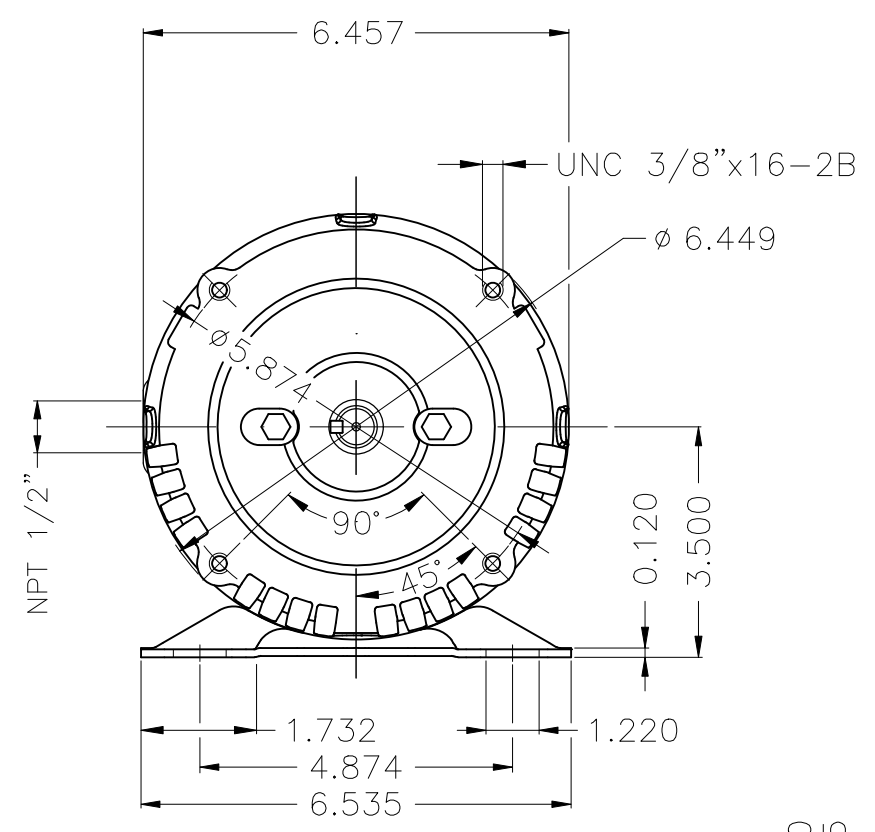
A

B

C

D

E



Color Munsell N 1 matte black									
Painting plan 207N									
Mounting B34D									
					HYBRISUSER	00			
ECM	LOC	SUMMARY OF MODIFICATIONS			EXECUTED	CHECKED	RELEASED	DATE	VER
EXECUTED	HYBRISUSER	THREE PH. MOTOR ROLLED STEEL PREM. EFF.				PREVIEW			
CHECKED		FRAME 56HC IP21 ODP				WDD	00		
RELEASED									
REL. DATE		WMO	Jaragua do Sul	Product Engineering	SHEET	1 / 1			

3 HP 02 Poles 60 Hz

A



Dimensions in inches XME A3