

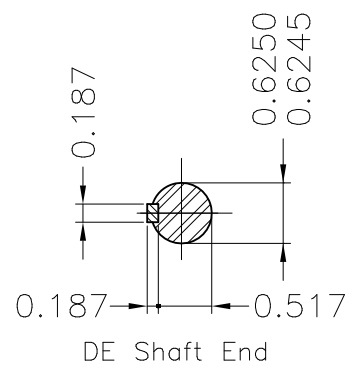
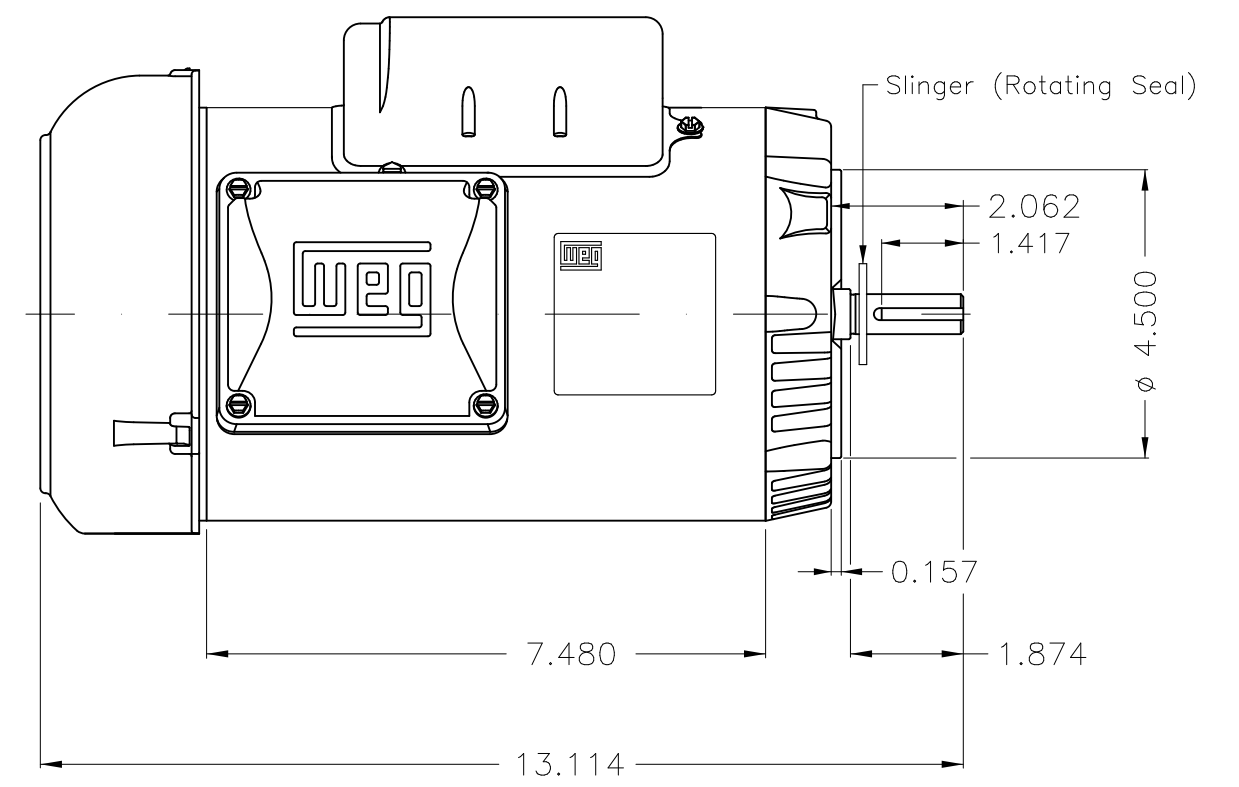
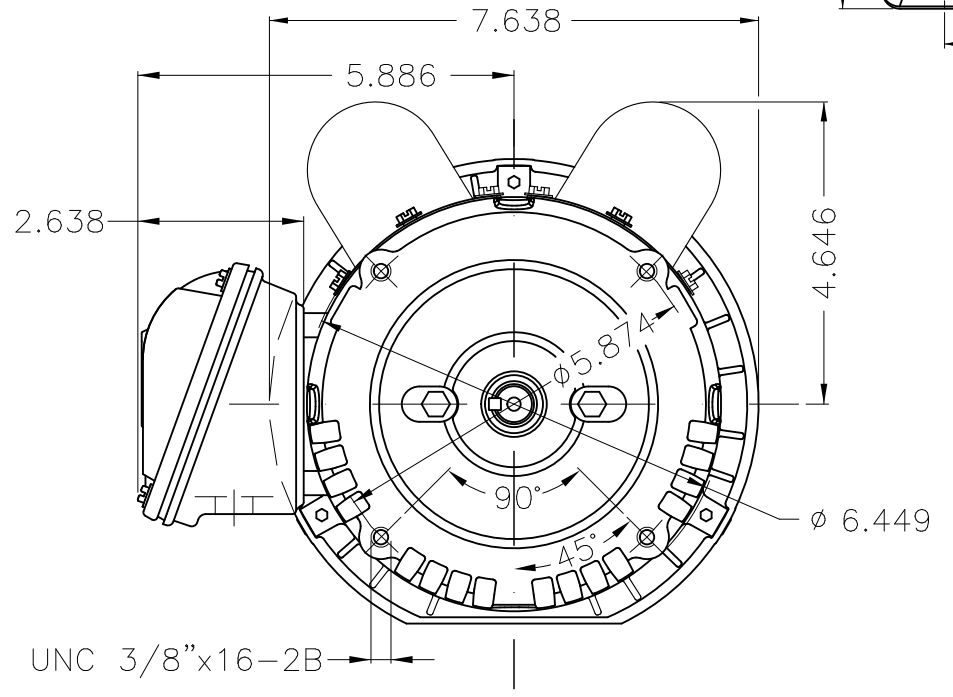
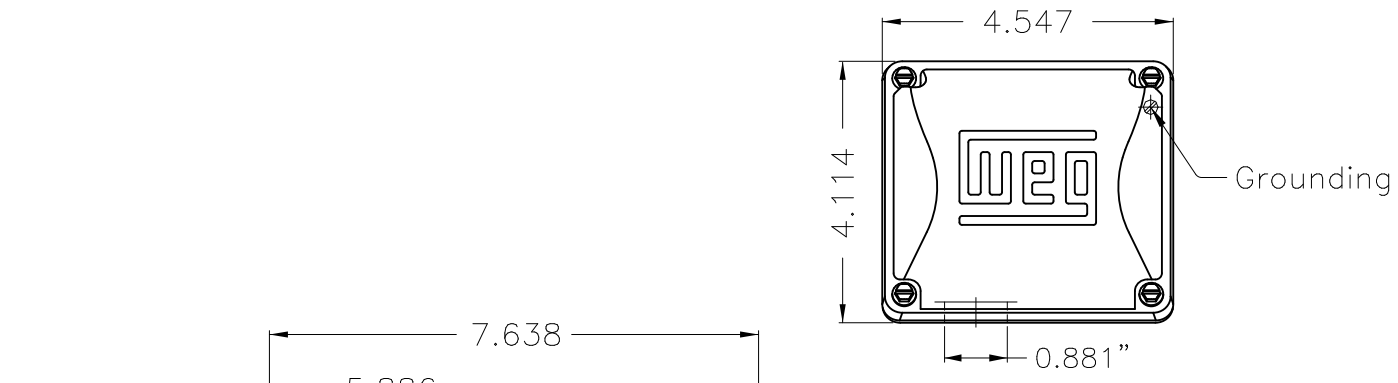
A

B


C

D

E



Dimensions in inches

Color Munsell N 1 matte black									
Painting plan 207N									
Mounting F-1/B14R(D)									
					HYBRISUSER	00			
ECM	LOC	SUMMARY OF MODIFICATIONS			EXECUTED	CHECKED	RELEASED	DATE	VER
EXECUTED	HYBRISUSER	SINGLE PH. MOTOR ROLLED STEEL JET PUMP KEYED				PREVIEW WDD 00 SHEET 1 / 1			
CHECKED		FRAME 56C IP55 TEFC							
RELEASED									
REL. DATE		WMO	Jaragua do Sul	Product Engineering					

1 HP 02 Poles 60 Hz

A