

1 2 3 4 5 6

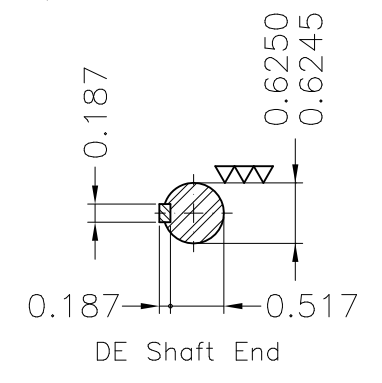
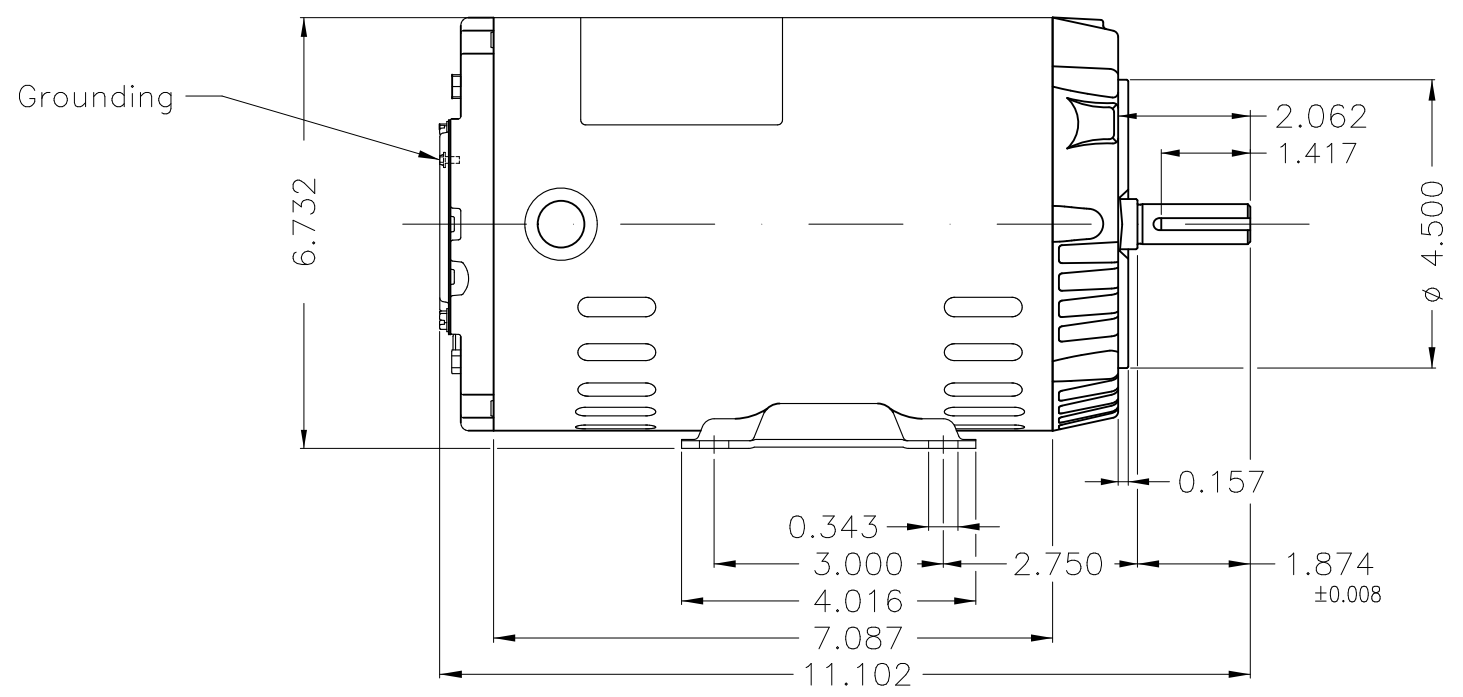
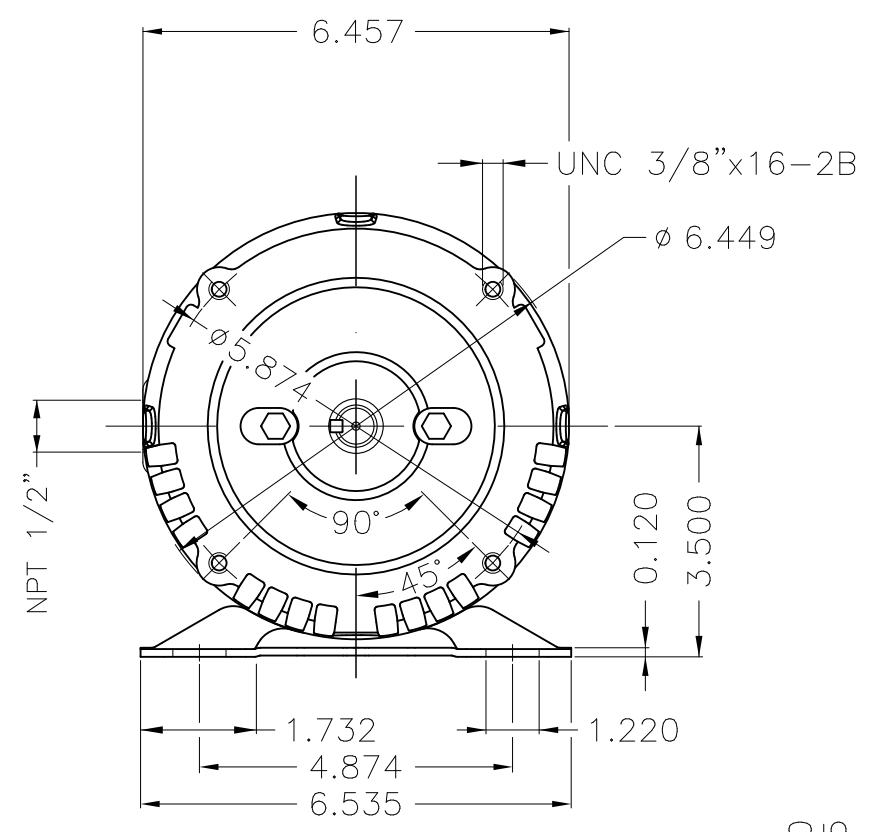
A

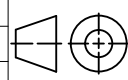

B

C

D

E



Color Munsell N 1 matte black												
Painting plan 207N												
Mounting F-1/B34R(D)												
								HYBRISUSER		00		
ECM		LOC		SUMMARY OF MODIFICATIONS				EXECUTED	CHECKED	RELEASED	DATE	VER
EXECUTED		HYBRISUSER		 THREE PH. MOTOR ROLLED STEEL PREM. EFF. FRAME 56C IP21 ODP				PREVIEW WDD 00				
CHECKED												
RELEASED												
REL. DATE		WMO		Jaragua do Sul		Product Engineering		SHEET		1 / 1		

0.75 HP 04 Poles 60 Hz

A