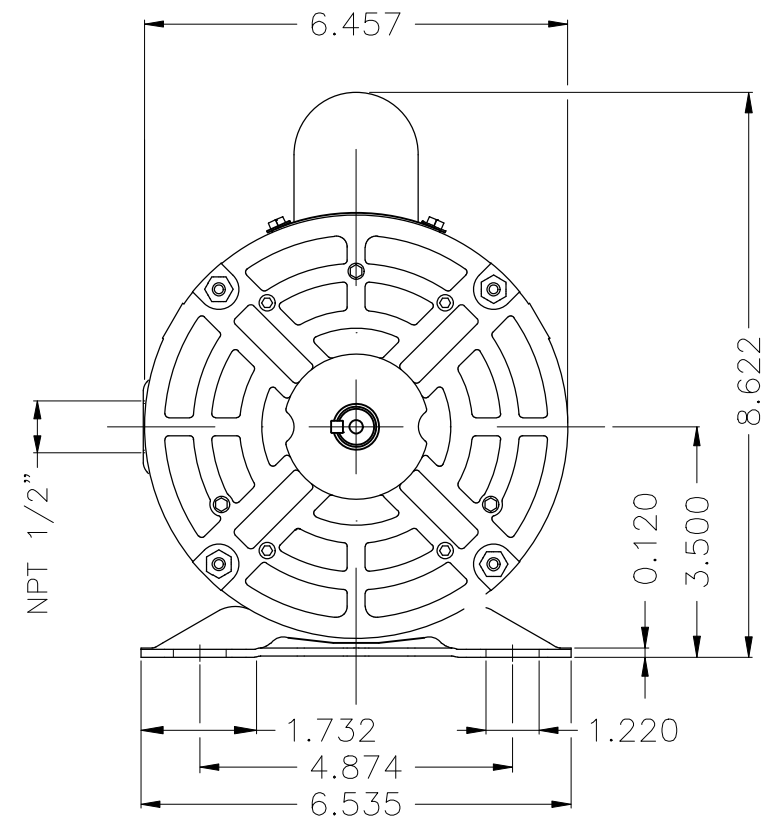
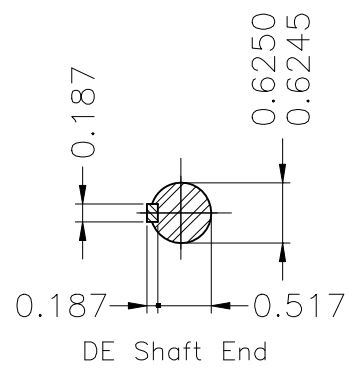
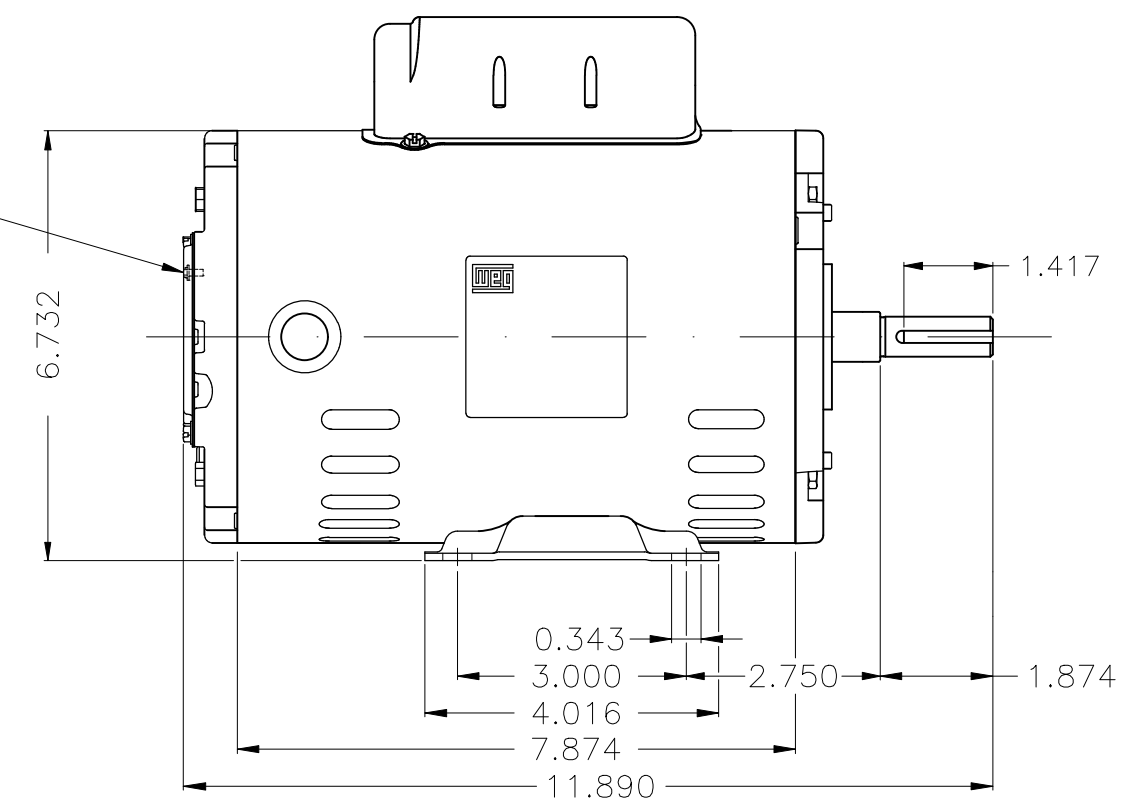


1 2 3 4 5 6

A
B
C
D
E



Grounding



Color Munsell N 1 matte black
Painting plan 207N
Mounting F-1/B3R(D)

												HYBRISUSER						00	
	ECM		LOC	SUMMARY OF MODIFICATIONS						EXECUTED	CHECKED	RELEASED	DATE	VER					
EXECUTED				SINGLE PH. MOTOR ROLLED STEEL											PREVIEW				
CHECKED				FRAME 56 IP21 ODP											WDD 00				
RELEASED															SHEET 1 / 1				
REL. DATE				WMO	Jaragua do Sul			Product Engineering											

1.5 HP 02 Poles 60 Hz

A



Dimensions in inches XME A3