

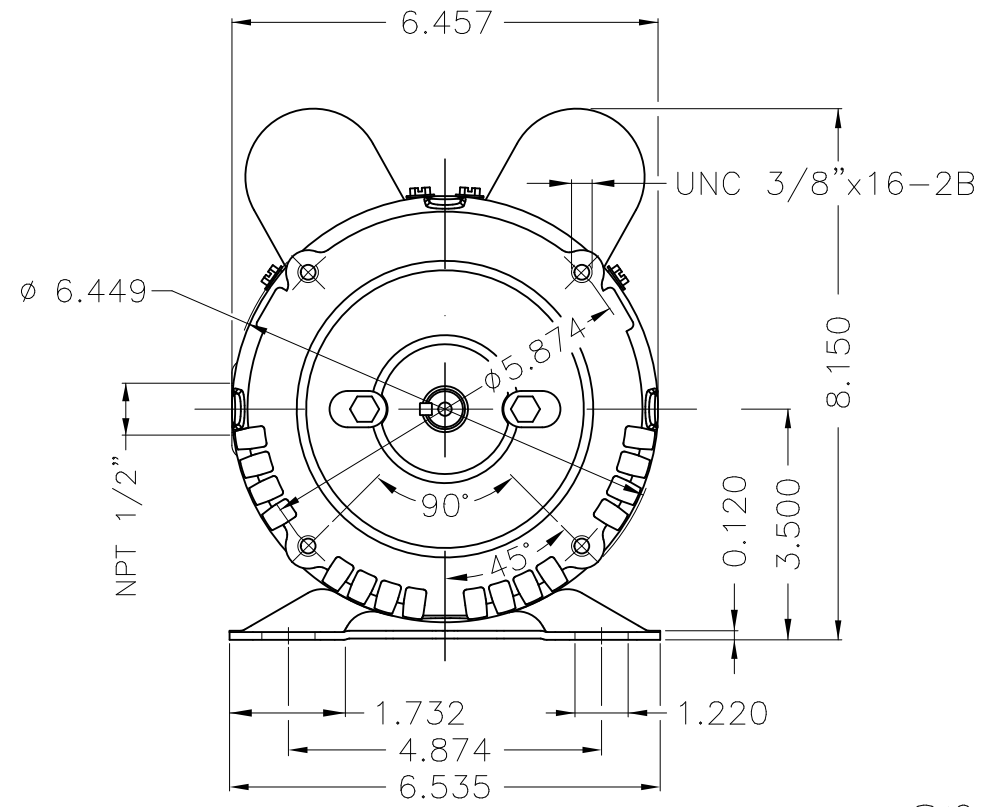
A

B

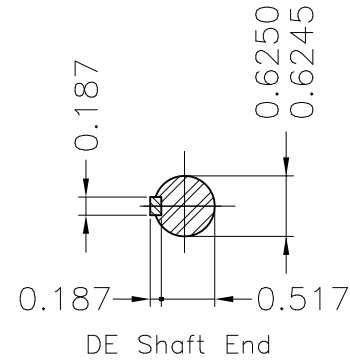
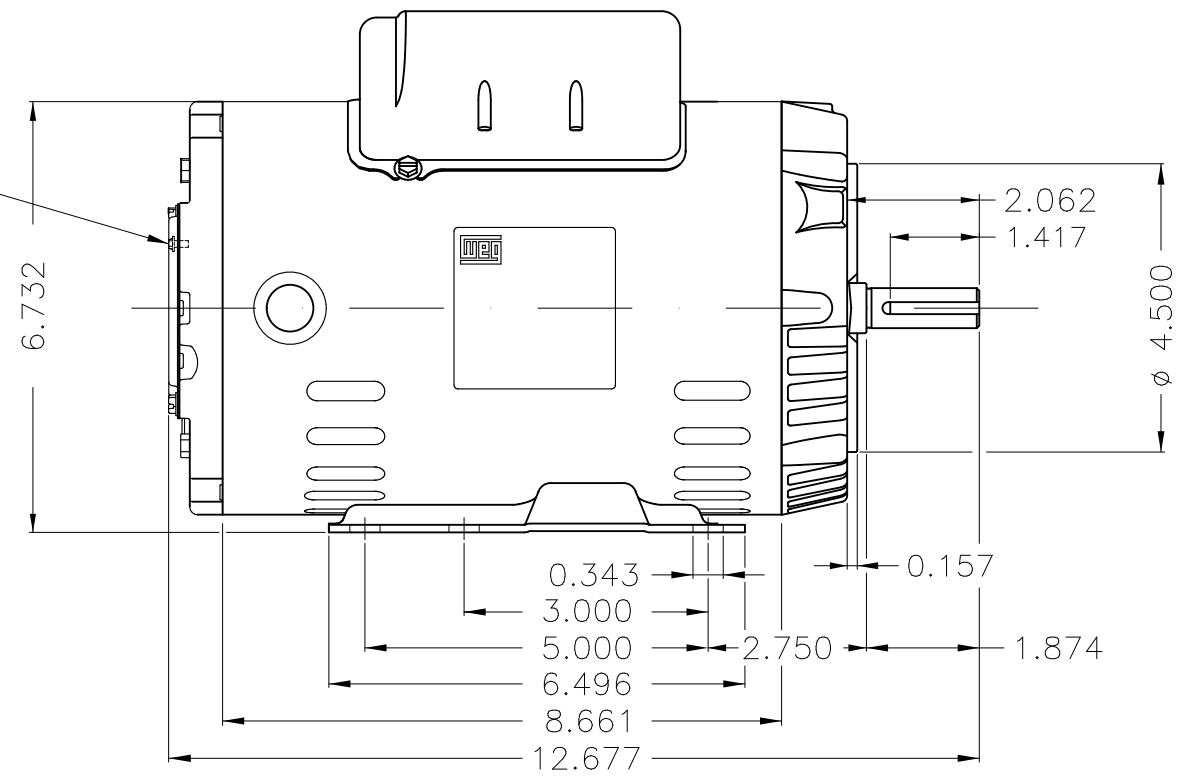
C

D

E



Grounding



Color Munsell N 1 matte black
 Painting plan 207N
 Mounting F-1/B34R(D)

			HYBRISUSER				00	
ECM	LOC	SUMMARY OF MODIFICATIONS		EXECUTED	CHECKED	RELEASED	DATE	VER
EXECUTED	HYBRISUSER	SINGLE PH. MOTOR ROLLED STEEL				PREVIEW		
CHECKED		FRAME 56HC IP21 ODP				WDD	00	
RELEASED						SHEET	1 / 1	
REL. DATE		WMO	Jaragua do Sul	Product Engineering				

2 HP 02 Poles 60 Hz

A