

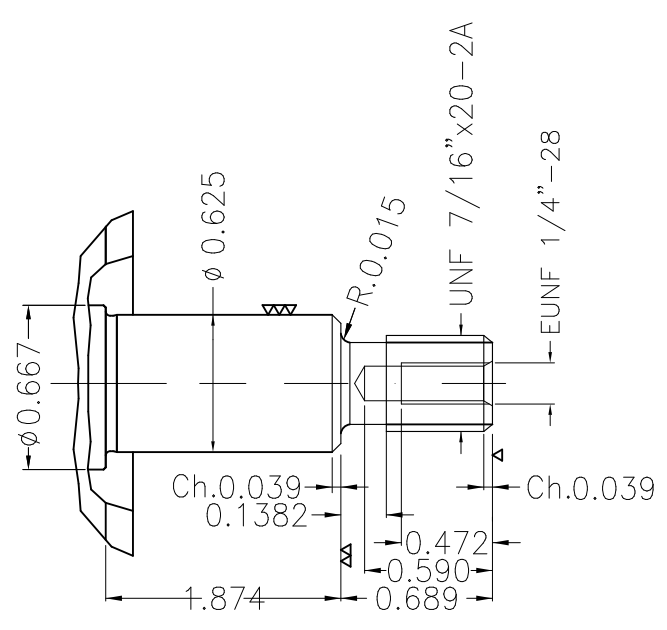
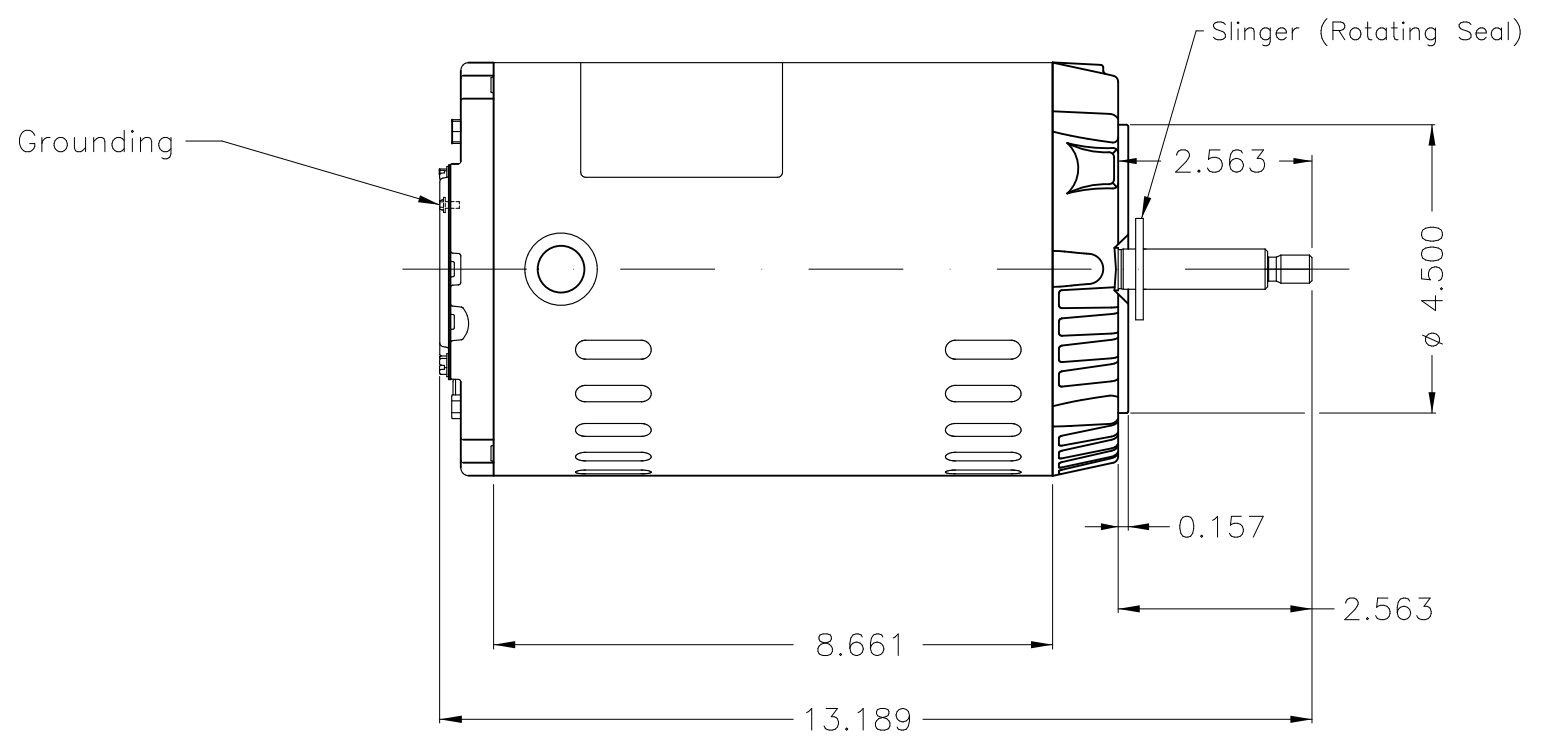
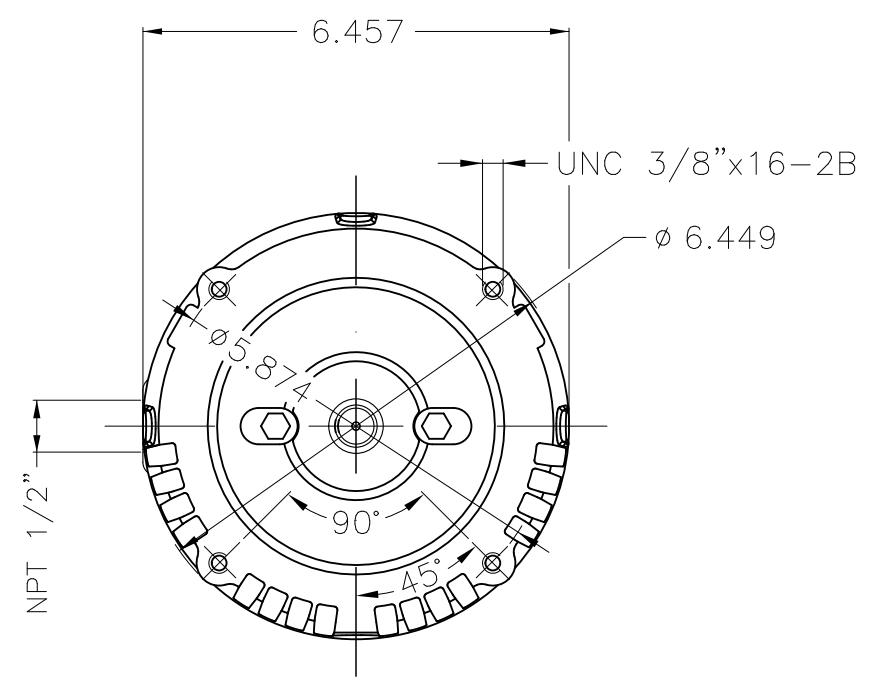
A

B

C

D

E



Color Munsell N 1 matte black
 Painting plan 207N
 Mounting F-1/B14R(D)

							HYBRISUSER				00
ECM	LOC	SUMMARY OF MODIFICATIONS				EXECUTED	CHECKED	RELEASED	DATE	VER	

EXECUTED	HYBRISUSER		THREE PH. MOTOR ROLLED STEEL JET PUMP THREADED PUMP	PREVIEW WDD 00 SHEET 1 / 1	
CHECKED			FRAME 56J IP21 ODP		
RELEASED					
REL. DATE		WMO	Jaragua do Sul	Product Engineering	

2 HP 02 Poles 60 Hz

A