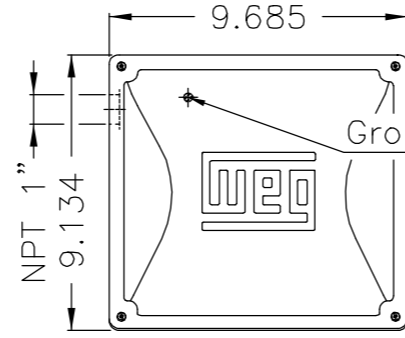


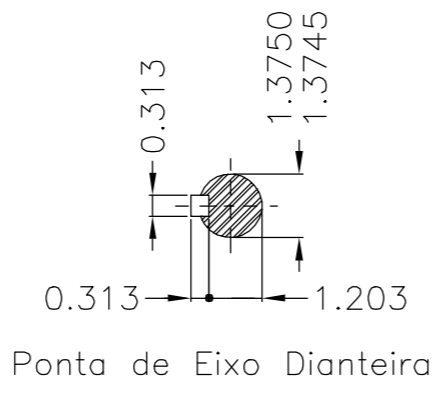
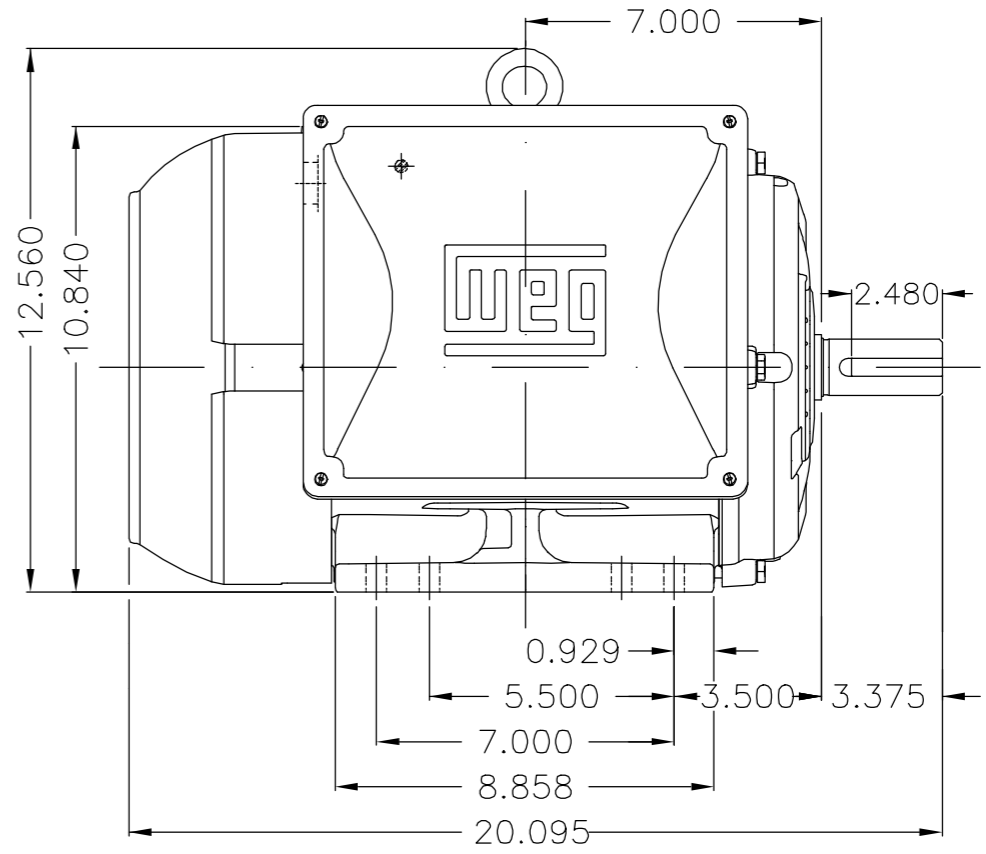
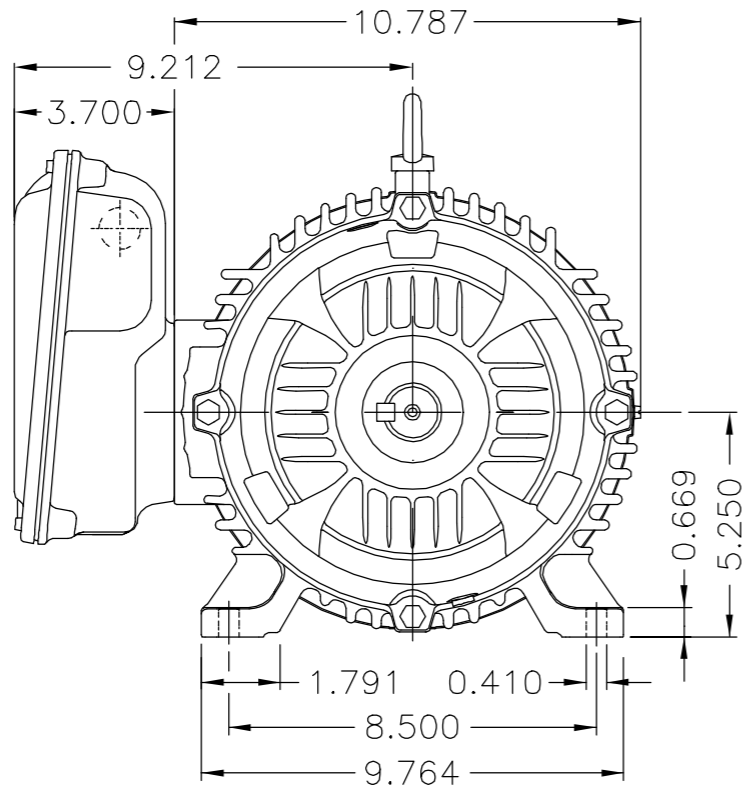
EIXO/SHAFT	
PADRÃO/STANDARD	X
OPCIONAL/OPTIONAL	
ESPECIAL/SPECIAL	

Dimensões em mm

THIS IS AN UPDATED REVISION, THE PREVIOUS ONE MUST BE DISREGARDED.



Main terminal box



Forma construtiva B3D / Mounting B3R(D)						
WEG EQUIP.ELETS.S.A						
500001303463		DOCUMENTO NOVO	AKLOSOWSKI	EMERSONRH	25.04.2017	00
ECM	LOC	RESUMO MODIFICAÇÃO	EXECUTADO	VERIFICADO	LIBERADO	DATA
ECM	LOC	SUMMARY OF MODIFICATIONS	EXECUTED	CHECKED	RELEASED	DATE
EXEC. /EXECUTED	AKLOSOWSKI	SINGLE PHASE MOTOR W22 NEMA FRAME 213/5T IP55 TEFC	10004899110			
VERIF. /CHECKED			000	00		
LIBER. /RELEASED	EMERSONRH					
DATA LB /REL DT	25.04.2017	WMO	Jaragua do Sul	Product Engineering	FOLHA/SHEET	1 / 1

3 HP 06 Poles 60Hz 414643216

UNCONTROLLED COPY RELEASED ZME A3