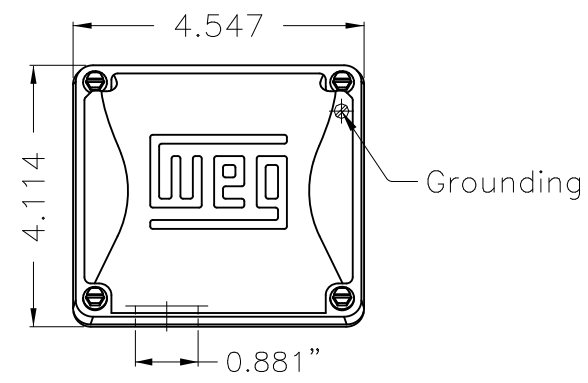
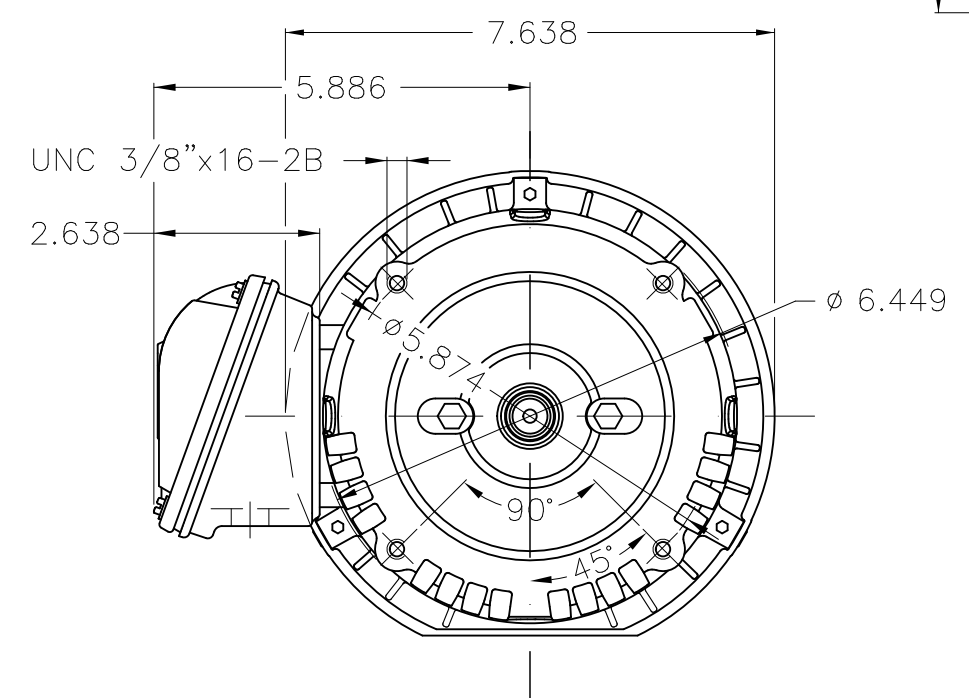


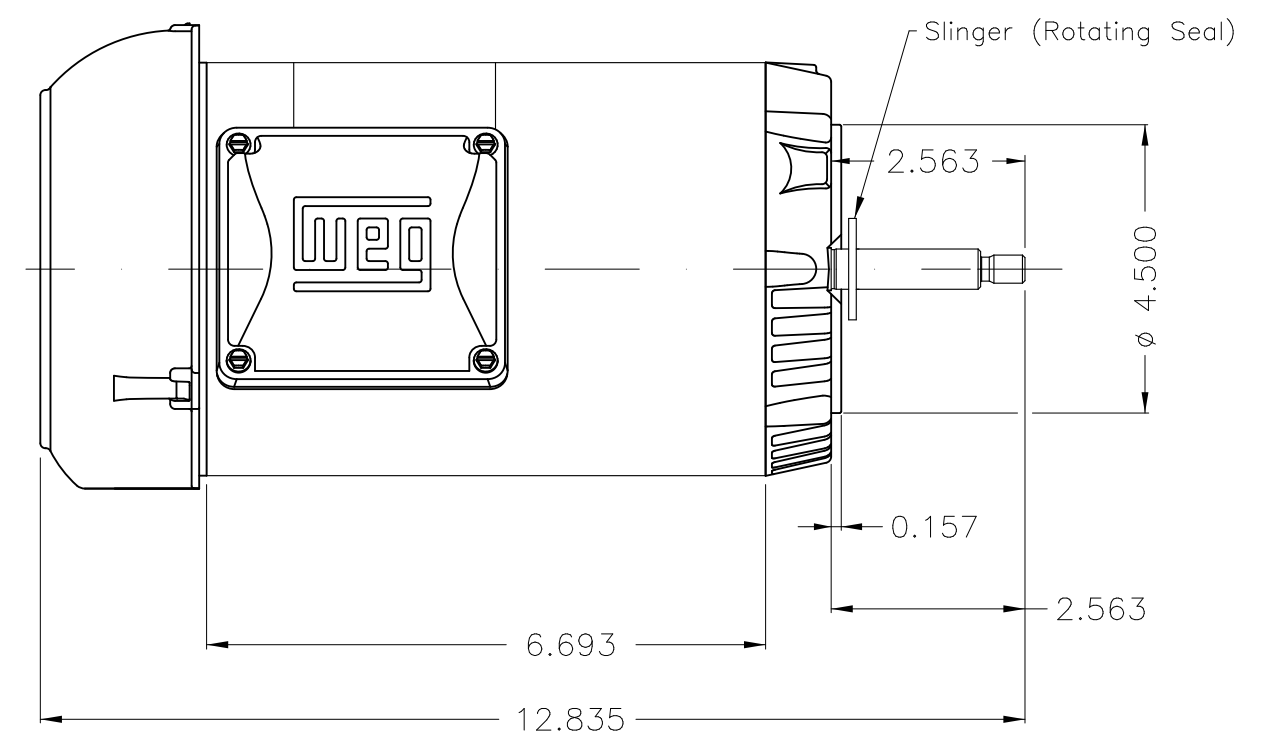
A



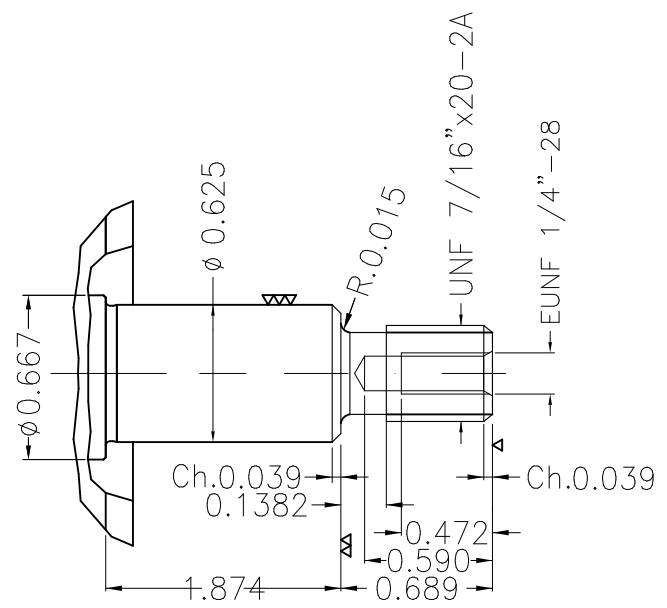
B



C



D



E

Color Munsell N 1 matte black									
Painting plan 207N									
Mounting F-1/B14R(D)									
HYBRISUSER 00									
ECM	LOC	SUMMARY OF MODIFICATIONS			EXECUTED	CHECKED	RELEASED	DATE	VER
EXECUTED	HYBRISUSER	THREE PH. MOTOR ROLLED STEEL JET PUMP THREADED PUMP HEAD FRAME 56J IP55 TEFC							
CHECKED									
RELEASED									
REL. DATE		WMO	Jaragua do Sul	Product Engineering	PREVIEW	WDD	00		
SHEET							1 / 1		

0.75 HP 04 Poles 60 Hz

