

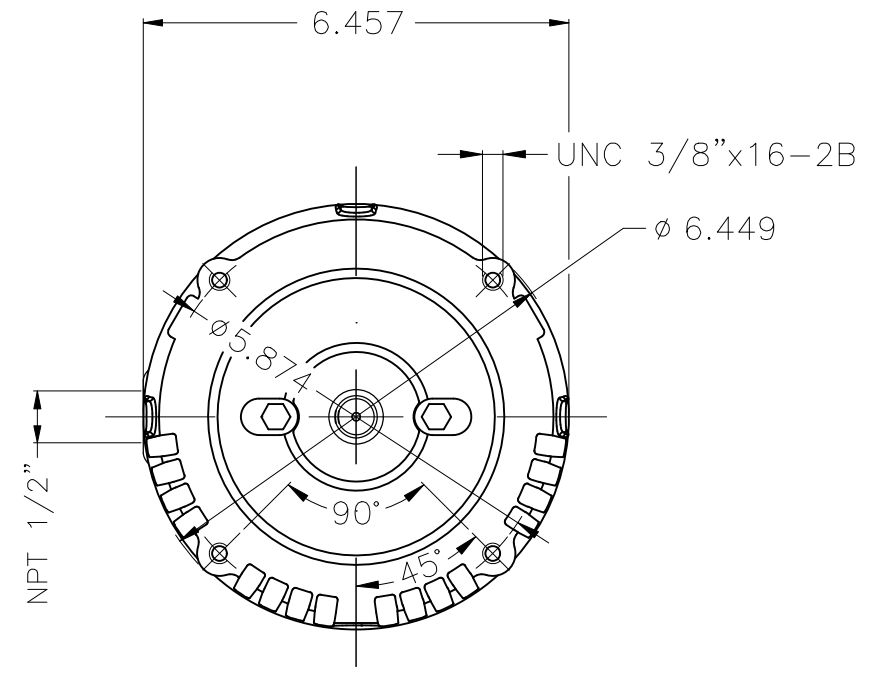
A

B

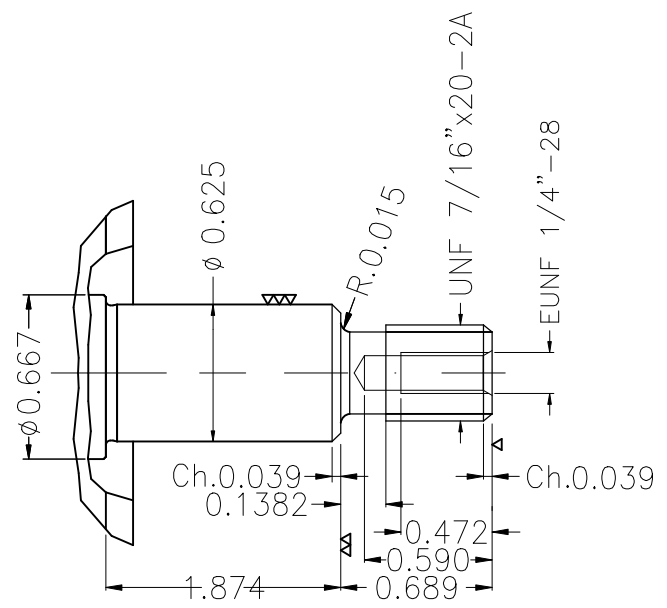
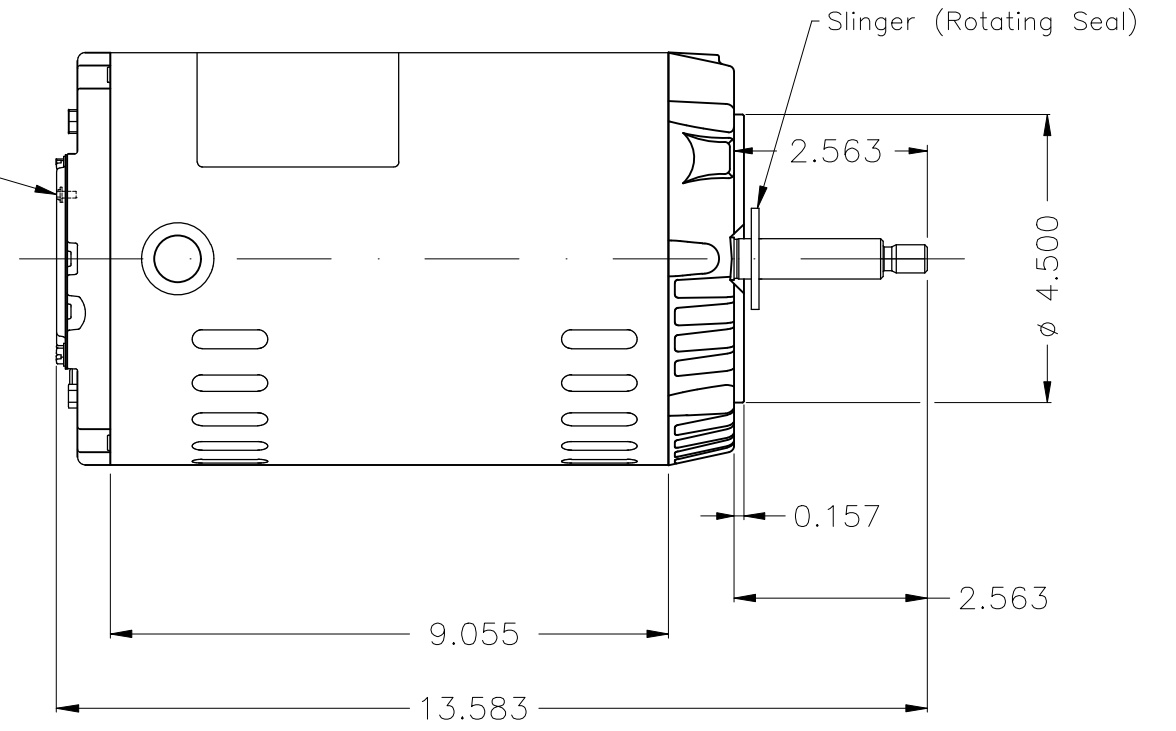
C

D

E



Grounding



Color Munsell N 1 matte black						
Painting plan 207N						
Mounting F-1/B14R(D)						
HYBRISUSER						00
ECM	LOC	SUMMARY OF MODIFICATIONS	EXECUTED	CHECKED	RELEASED	DATE VER
EXECUTED	HYBRISUSER	THREE PH. MOTOR ROLLED STEEL JET PUMP THREADED FRAME 56J IP21 ODP				
CHECKED						
RELEASED						
REL. DATE	WMO	Jaragua do Sul	Product Engineering	PREVIEW	WDD 00	1 / 1
A		SHEET			1 / 1	

3 HP 02 Poles 60 Hz

