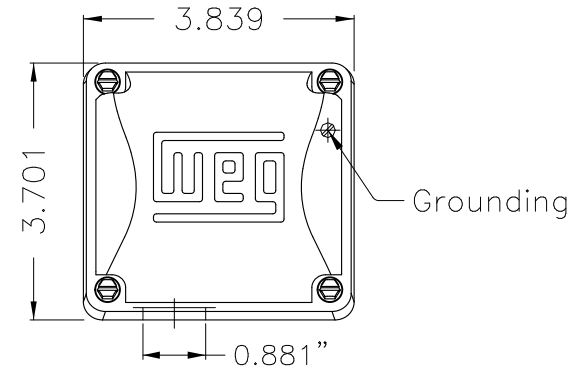
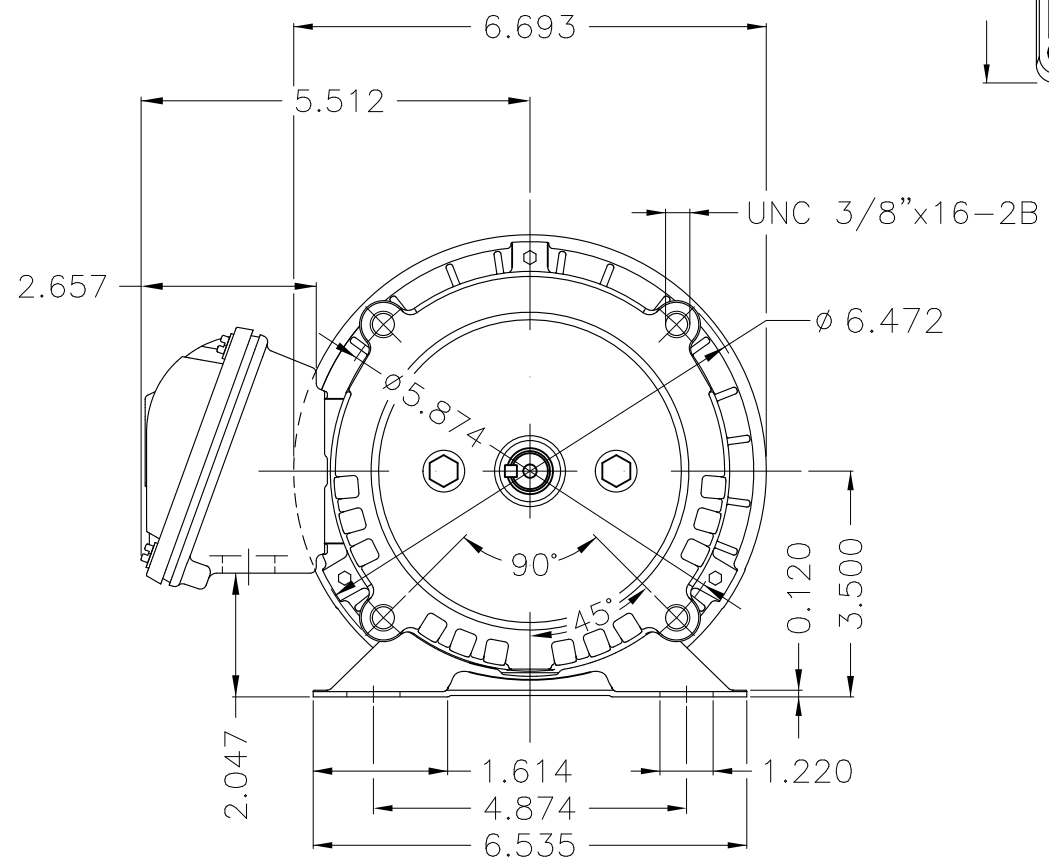


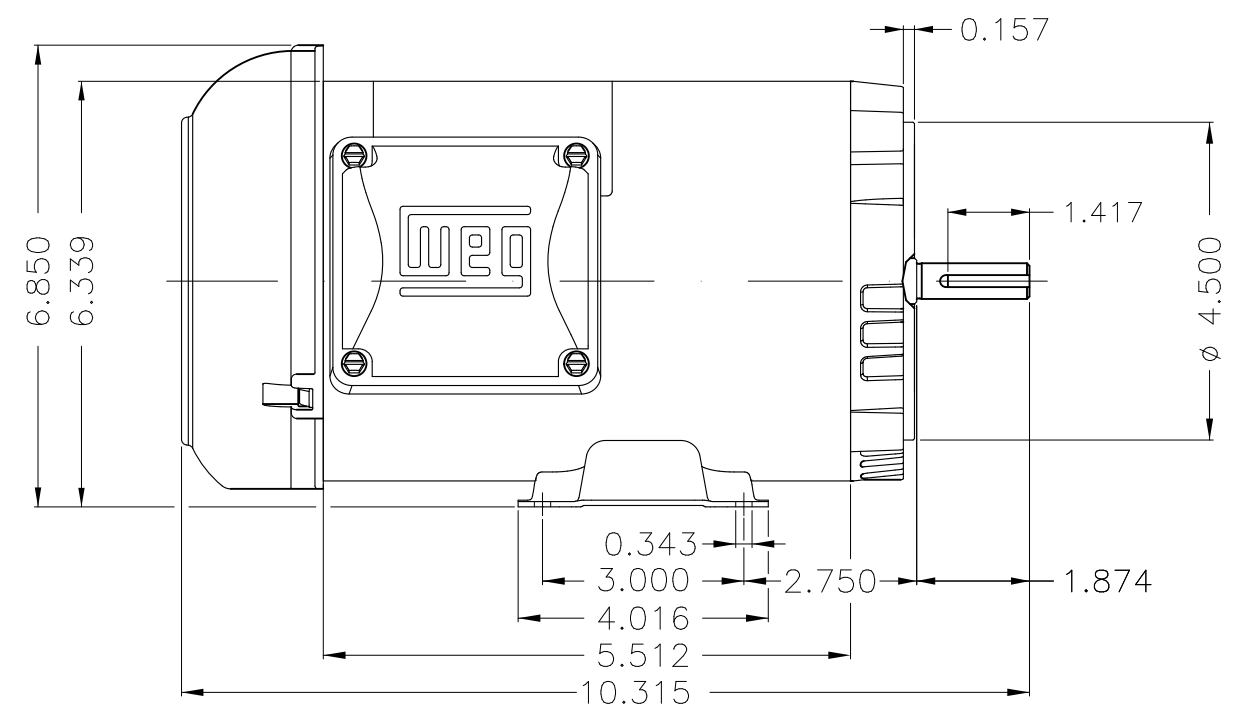
A



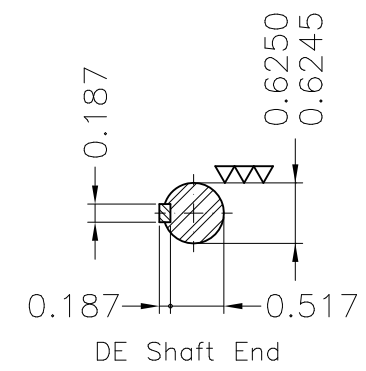
B



C



D



E

Dimensions in inches

0.25 HP 04 Poles 60 Hz

Color Munsell N 1 matte black						
Painting plan 207N						
Mounting F-1/B34R(D)						
					HYBRISUSER	00
ECM	LOC	SUMMARY OF MODIFICATIONS			EXECUTED	CHECKED
EXECUTED	HYBRISUSER	THREE PH. MOTOR ROLLED STEEL FRAME W56C IP55 TEFC			PREVIEW WDD 00	
CHECKED						
RELEASED					1 / 1	
REL. DATE		WMO	Jaragua do Sul	Product Engineering		