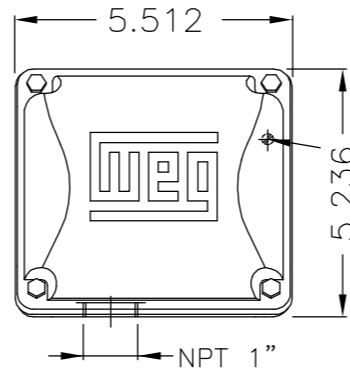


EIXO/SHAFT		Dimensões em polegada Dimensions in inches
PADRÃO/STANDARD		
OPCIONAL/OPTIONAL		
ESPECIAL/SPECIAL	X	

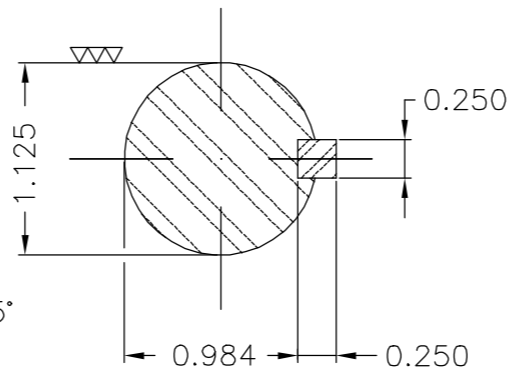
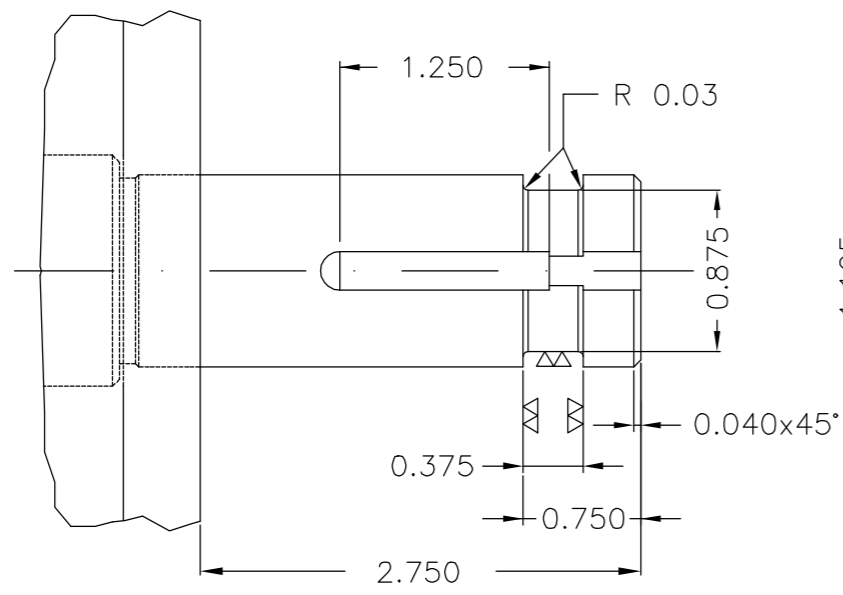
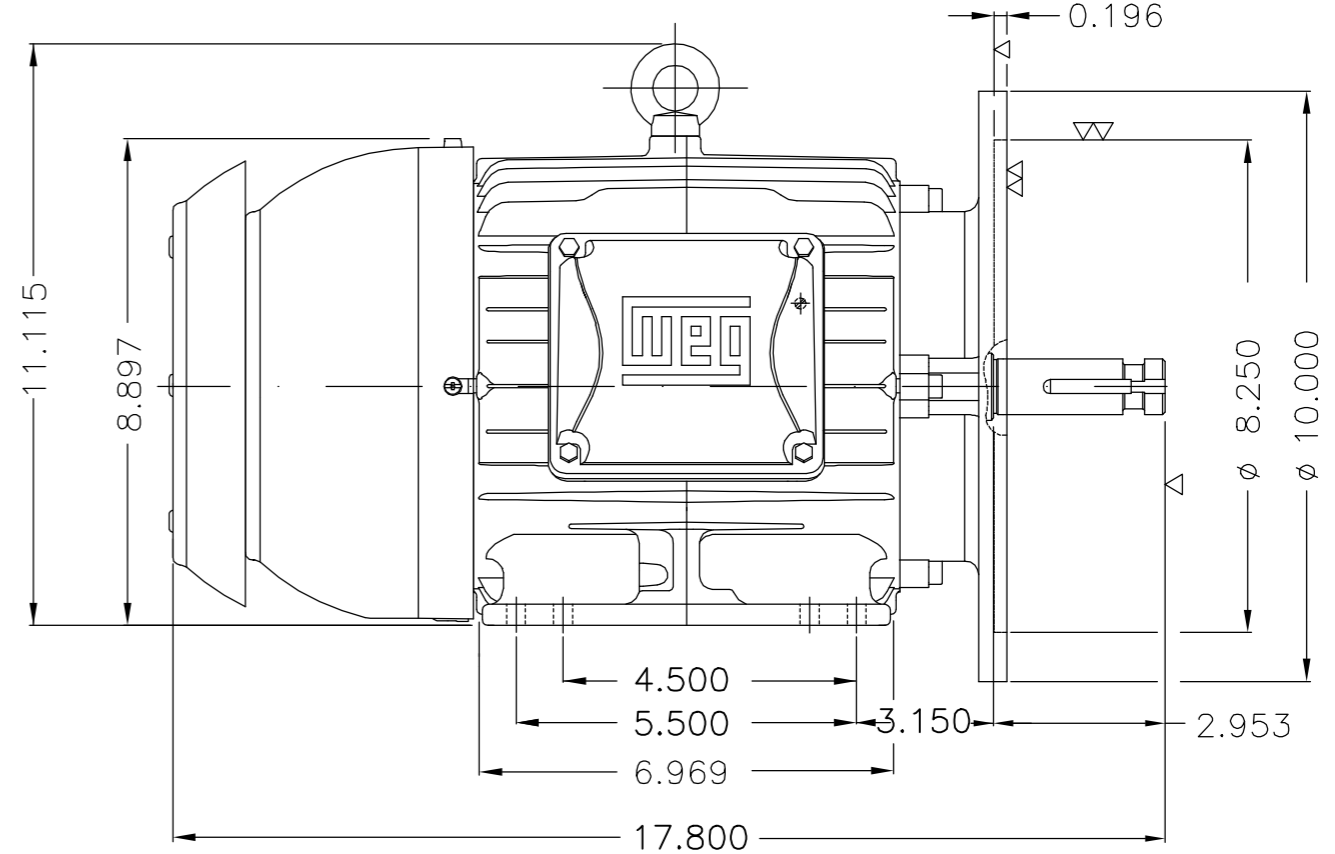
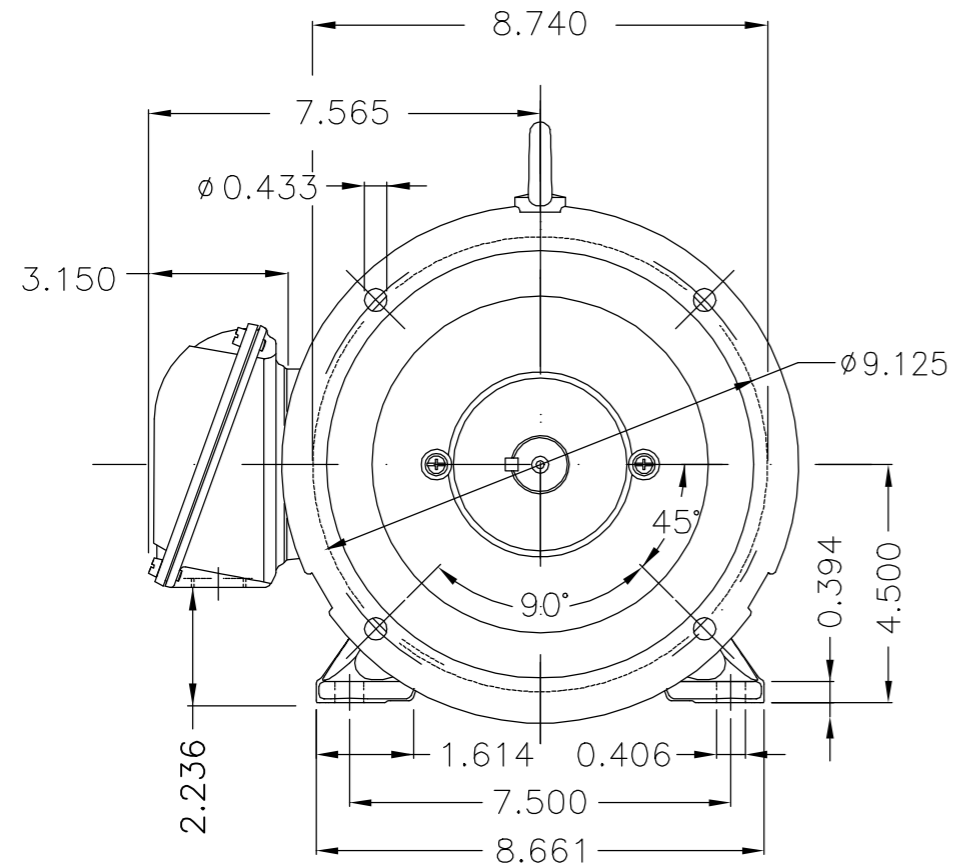
CERTIFIED WEG MOTORES
Certified document.
Not subject to changes.

THIS IS AN UPDATED REVISION, THE PREVIOUS ONE MUST BE DISREGARDED.



Main terminal box

Grounding for leads 2-10 mm² / 14-7 AWG



Cor RAL 5009 / Color RAL 5009
Plano de pintura 207A / Painting plan 207A
Forma construtiva NEMA W-6 / Mounting NEMA W-6
Forma construtiva V15D / Mounting V15R(D)
V.J. PAMENSKY CANADA INC.

500001505180		ALTERADO CONFORME CLAIM 415195664	PKREYSSIG	CLEBERP	CLEBERP	11.10.2018	01
500001302899		DOCUMENTO NOVO	JOAOVICTOR	ADEMILSON	ADEMILSON	26.04.2017	00
ECM	LOC	SUMMARY OF MODIFICATIONS	EXECUTED	CHECKED	RELEASED	DATE	VER
EXECUTED	JOAOVICTOR	THREE PHASE W22 P-BASE MOTOR PREMIUM EFF FRAME 182/4HP IP55 TEFC P. BASE	10004902537				
CHECKED	ADEMILSON		000	01			
RELEASED	ADEMILSON						
REL DT	26.04.2017	WMO	Jaragua do Sul	Product Engineering	SHEET	1 / 1	

5 HP 02 Poles 60Hz 414647698/1 MEC.

UNCONTROLLED COPY

RELEASED

ZME A3