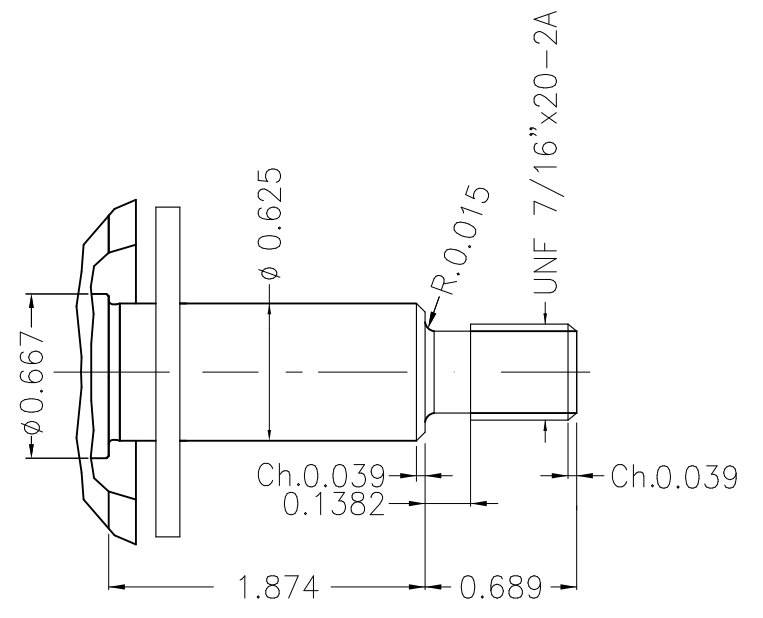
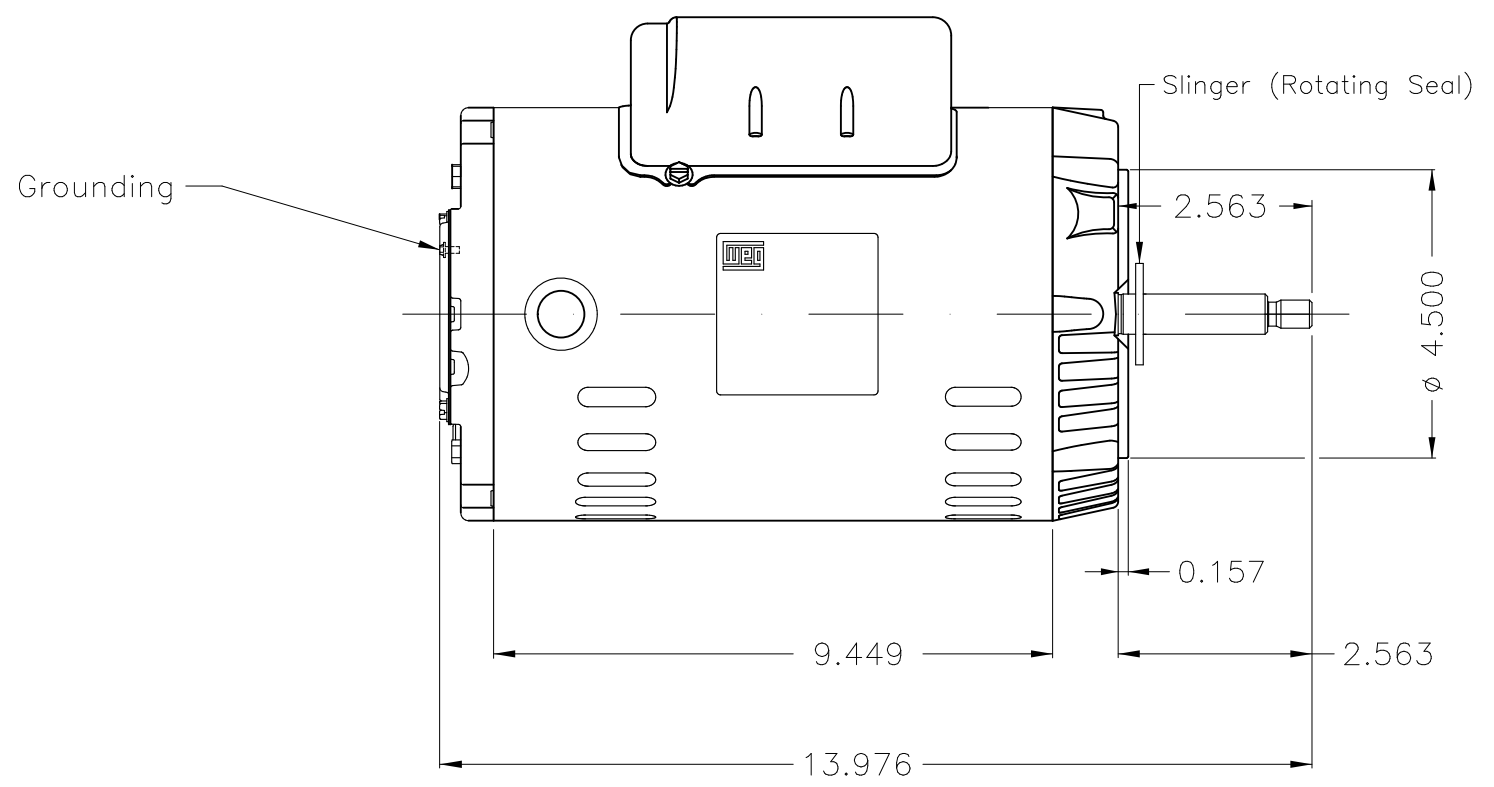
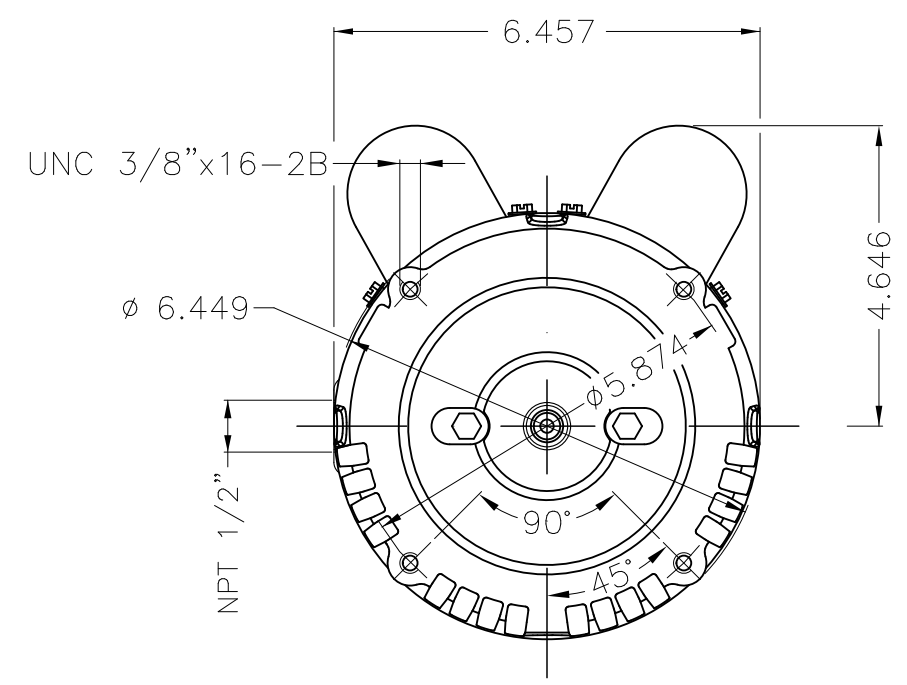


1 2 3 4 5 6

A  
B  
C  
D  
E



Color Munsell N 1 matte black  
 Painting plan 207N  
 Mounting F-1/B14R(D)

						HYBRISUSER				00	
ECM	LOC	SUMMARY OF MODIFICATIONS				EXECUTED	CHECKED	RELEASED	DATE	VER	
EXECUTED	HYBRISUSER	SINGLE PH. MOTOR ROLLED STEEL JET PUMP THREADED									
CHECKED		FRAME 56J IP21 ODP									
RELEASED											
REL. DATE		WMO	Jaragua do Sul	Product Engineering							

3 HP 02 Poles 60 Hz

**A** WDD 00 SHEET 1 / 1

