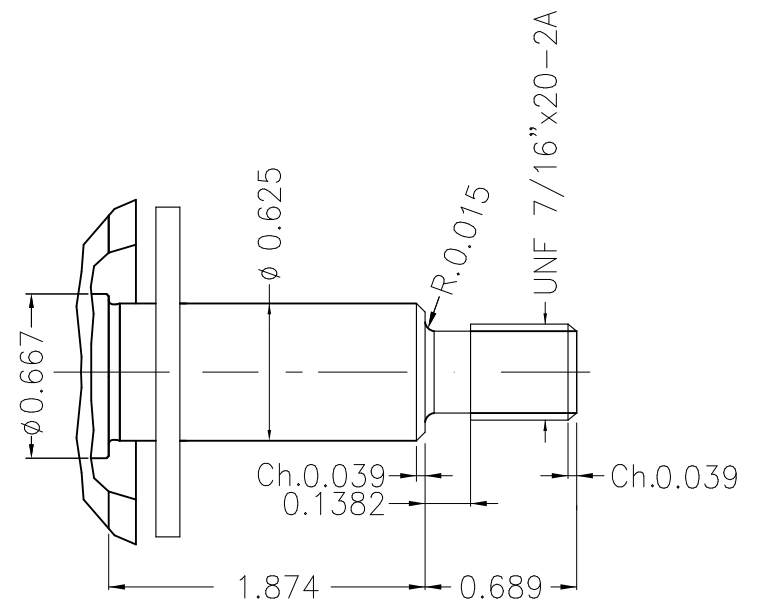
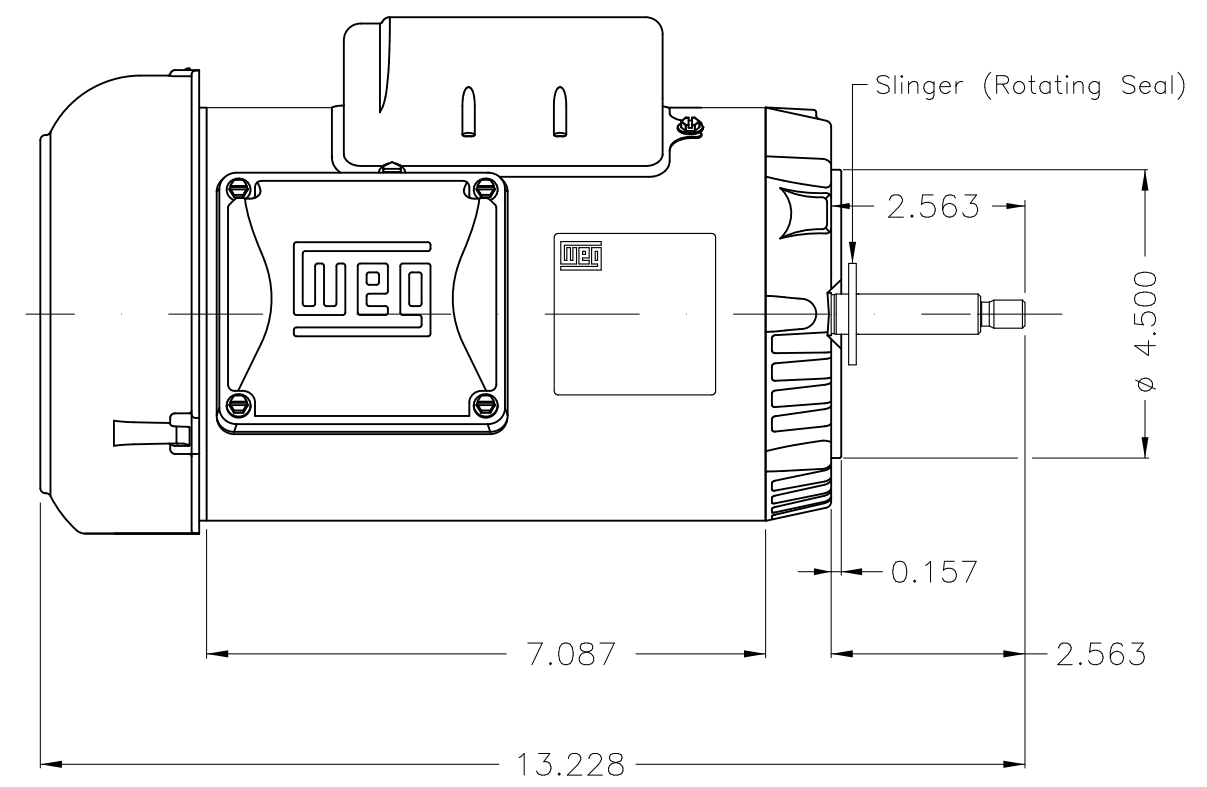
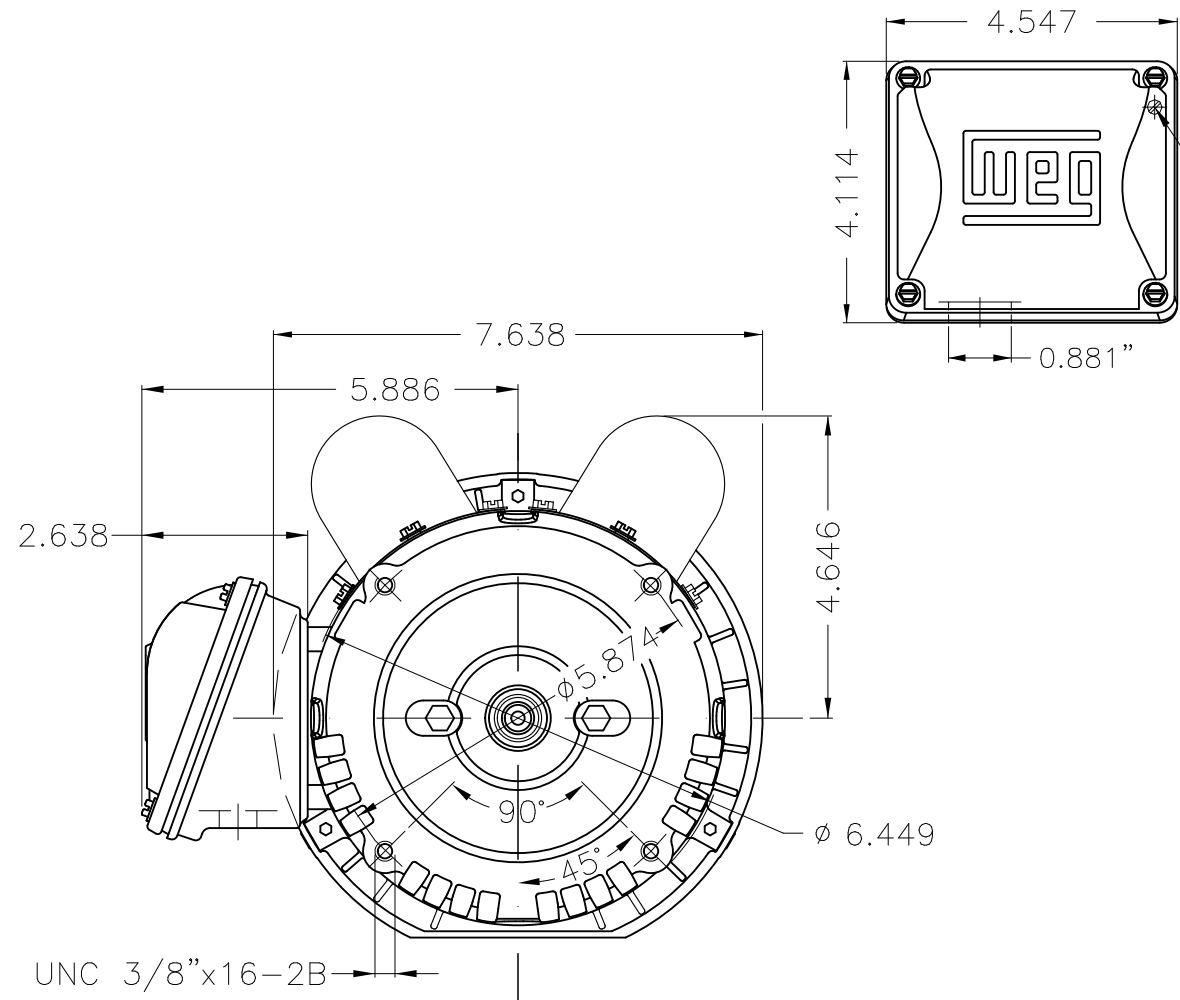


1 2 3 4 5 6

A  
B  
C  
D  
E



Color Munsell N 1 matte black  
 Painting plan 207N  
 Mounting F-1/B14R(D)

						HYBRISUSER				00	
ECM	LOC	SUMMARY OF MODIFICATIONS				EXECUTED	CHECKED	RELEASED	DATE	VER	
EXECUTED	HYBRISUSER	SINGLE PH. MOTOR ROLLED STEEL JET PUMP THREADED				PREVIEW				WDD   00	
CHECKED		FRAME 56J IP55 TEFC								WEG	
RELEASED										SHEET 1 / 1	
REL. DATE		WMO	Jaragua do Sul	Product Engineering							

0.75 HP 02 Poles 60 Hz

A