

1 2 3 4 5 6

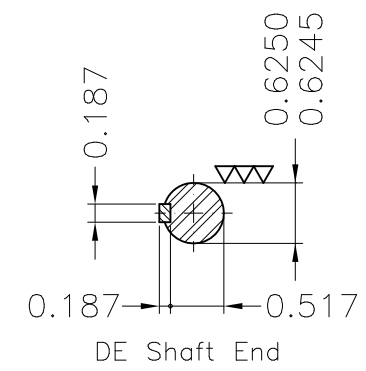
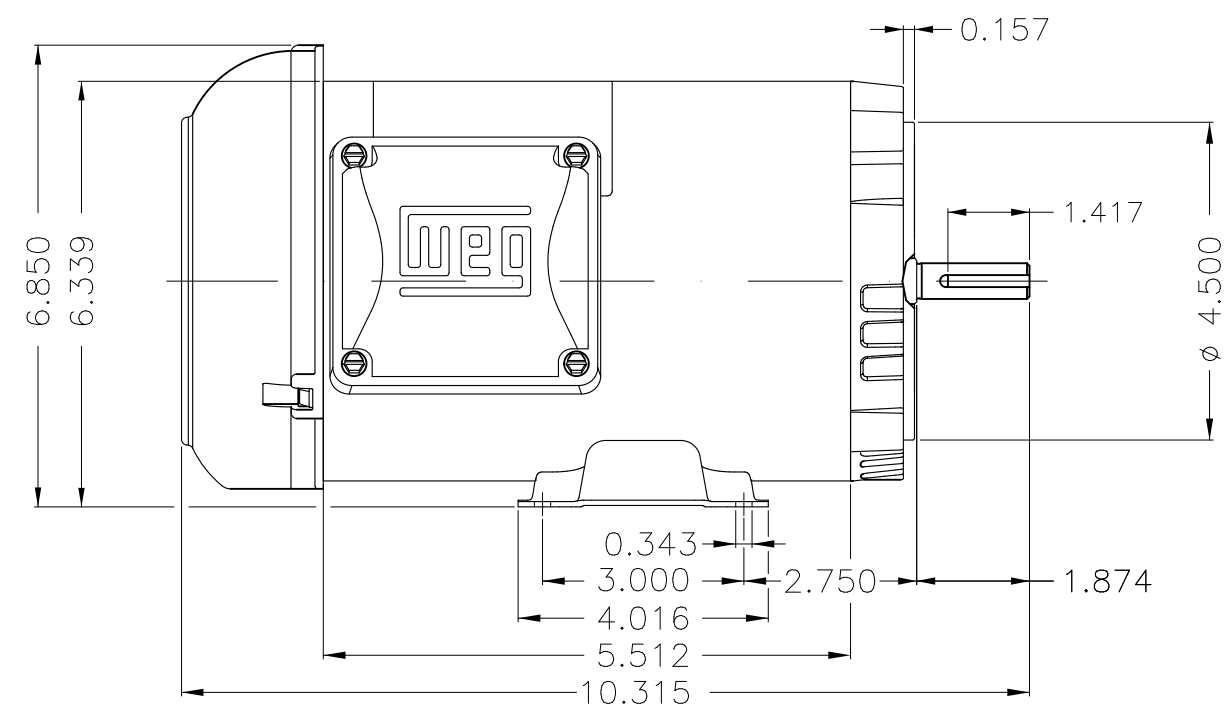
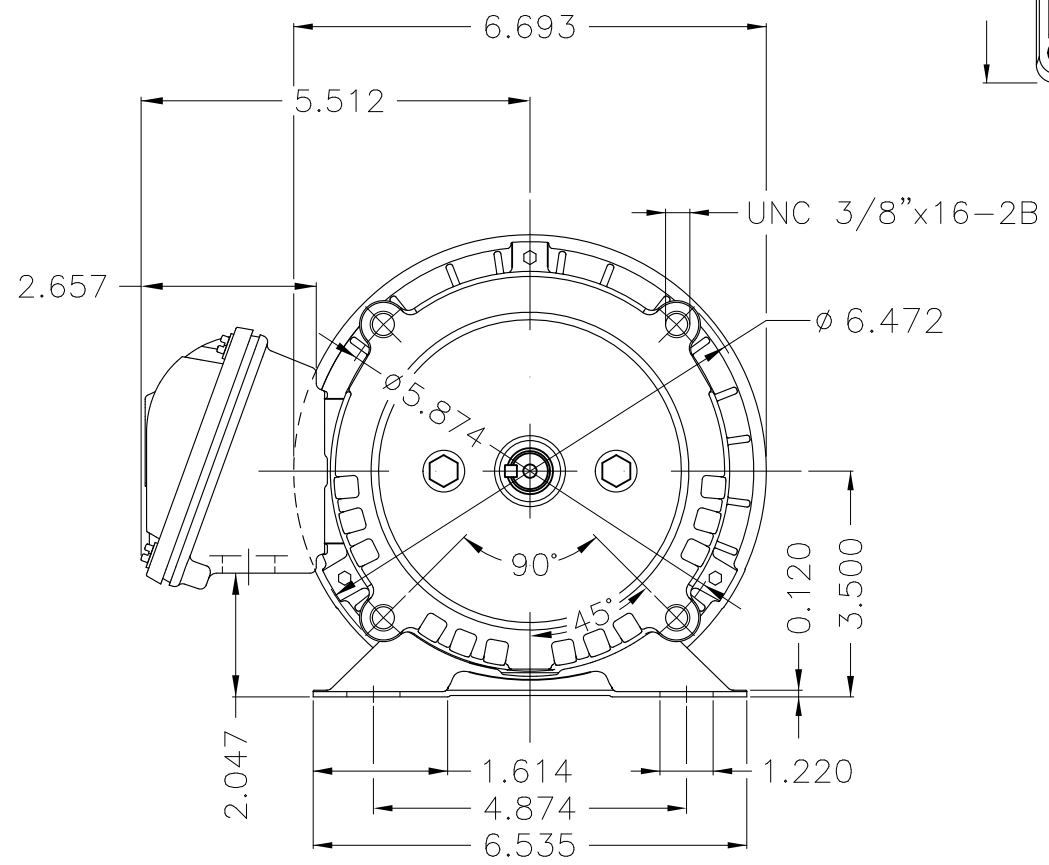
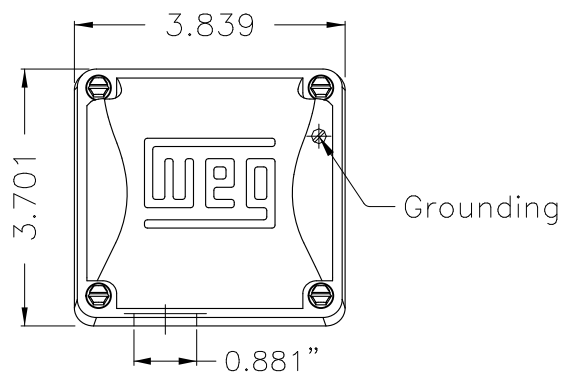
A

B

C

D

E



Color Munsell N 1 matte black
 Painting plan 207N
 Mounting F-1/B34R(D)

| ECM | | LOC | | SUMMARY OF MODIFICATIONS | | | | HYBRISUSER | | | 00 |
|-----------|------------|------------------------------|----------------|--------------------------|---------|----------|------|------------|--|-------|----|
| EXECUTED | CHECKED | RELEASED | DATE | EXECUTED | CHECKED | RELEASED | DATE | VER | | | |
| EXECUTED | HYBRISUSER | THREE PH. MOTOR ROLLED STEEL | | | | PREVIEW | | WDD | | 00 | |
| CHECKED | | FRAME W56C IP55 TEFC | | | | | | SHEET | | 1 / 1 | |
| RELEASED | | | | | | | | | | | |
| REL. DATE | | WMO | Jaragua do Sul | Product Engineering | | | | | | | |

0.33 HP 04 Poles 60 Hz

A REL. DATE WMO Jaragua do Sul Product Engineering SHEET 1 / 1

