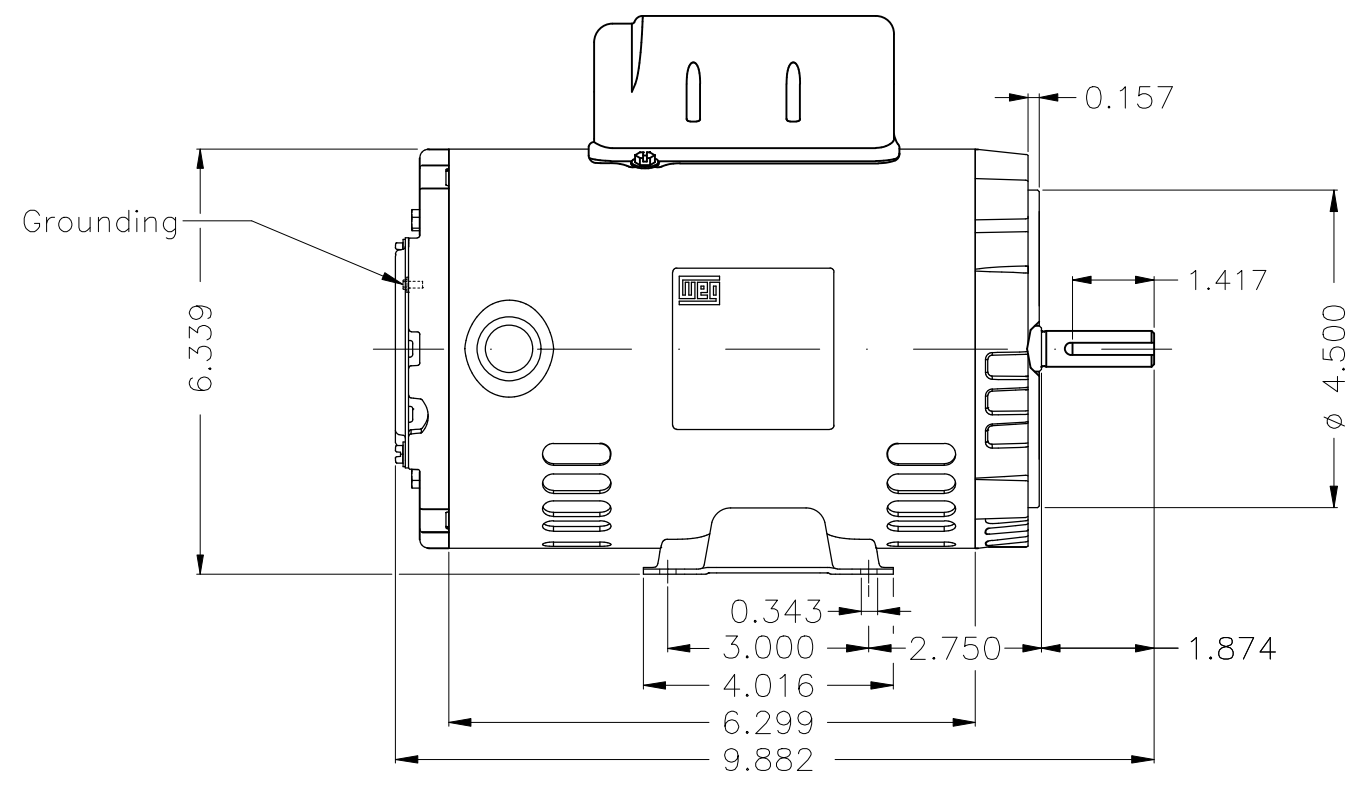
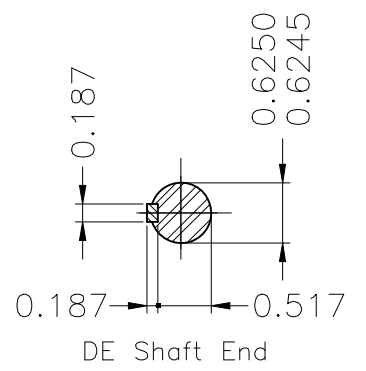
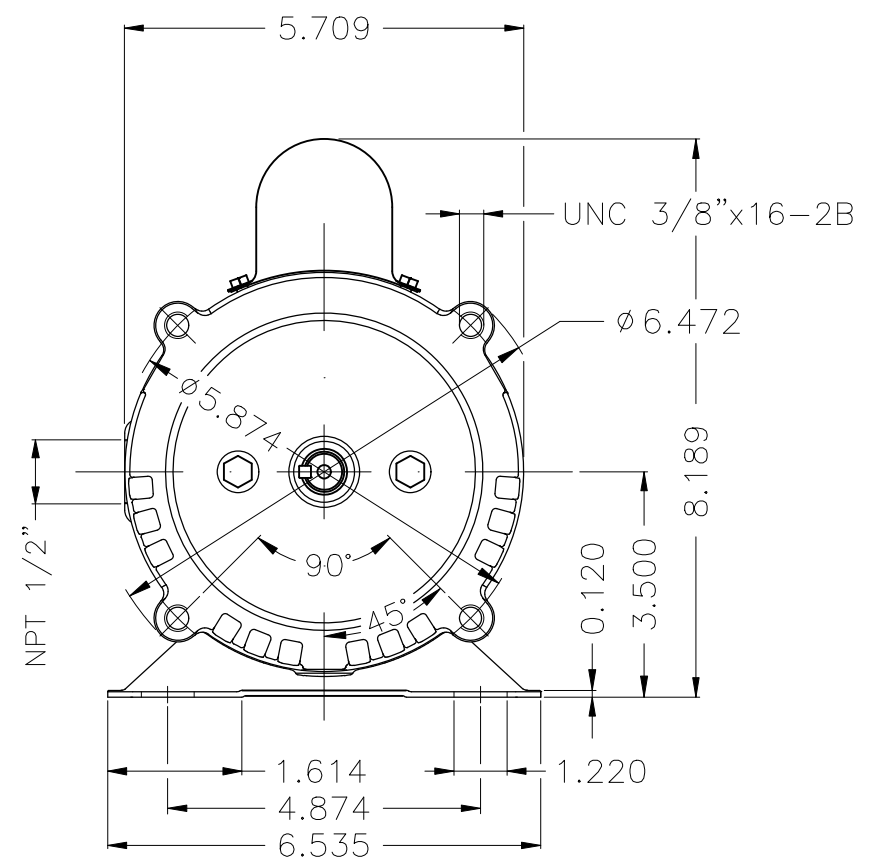


1 2 3 4 5 6

A
B
C
D
E



Color RAL 7022									
Painting plan 207N									
Mounting B34D									
HYBRISUSER 00									
ECM	LOC	SUMMARY OF MODIFICATIONS			EXECUTED	CHECKED	RELEASED	DATE	VER
EXECUTED	HYBRISUSER	SINGLE PH. MOTOR ROLLED STEEL			PREVIEW		WDD 00		
CHECKED		FRAME W56C IP21 ODP			WDD 00		WEG		
RELEASED					SHEET		1 / 1		
REL. DATE	WMO	Jaragua do Sul		Product Engineering					

0.33 HP 02 Poles 60 Hz

A