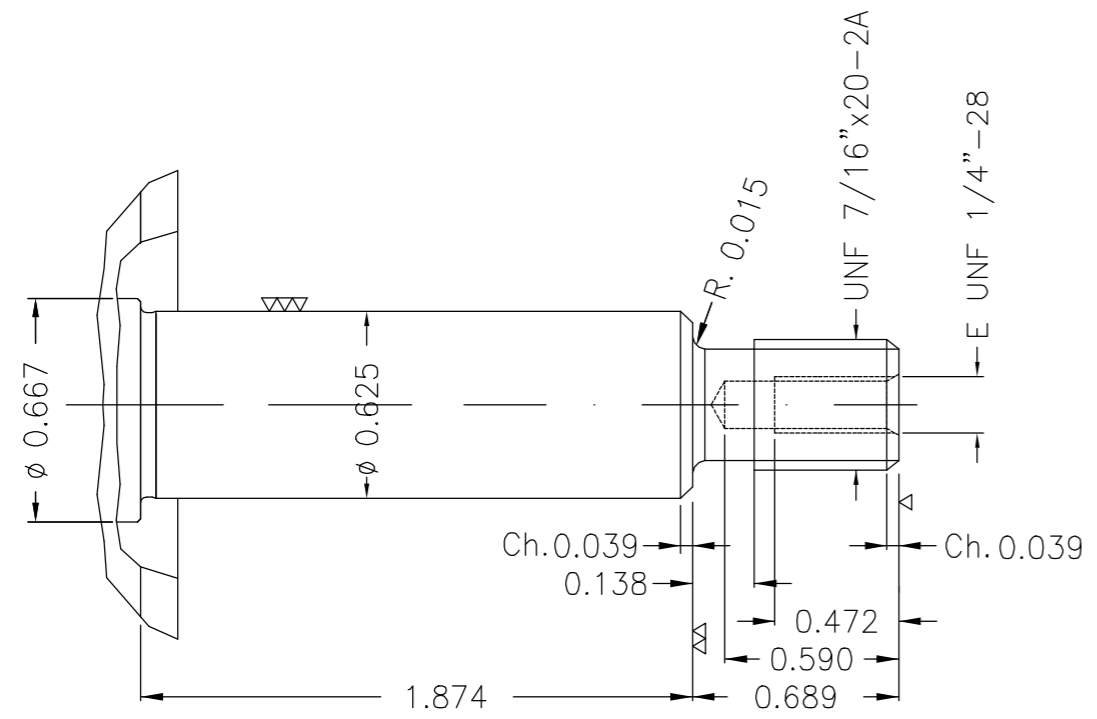
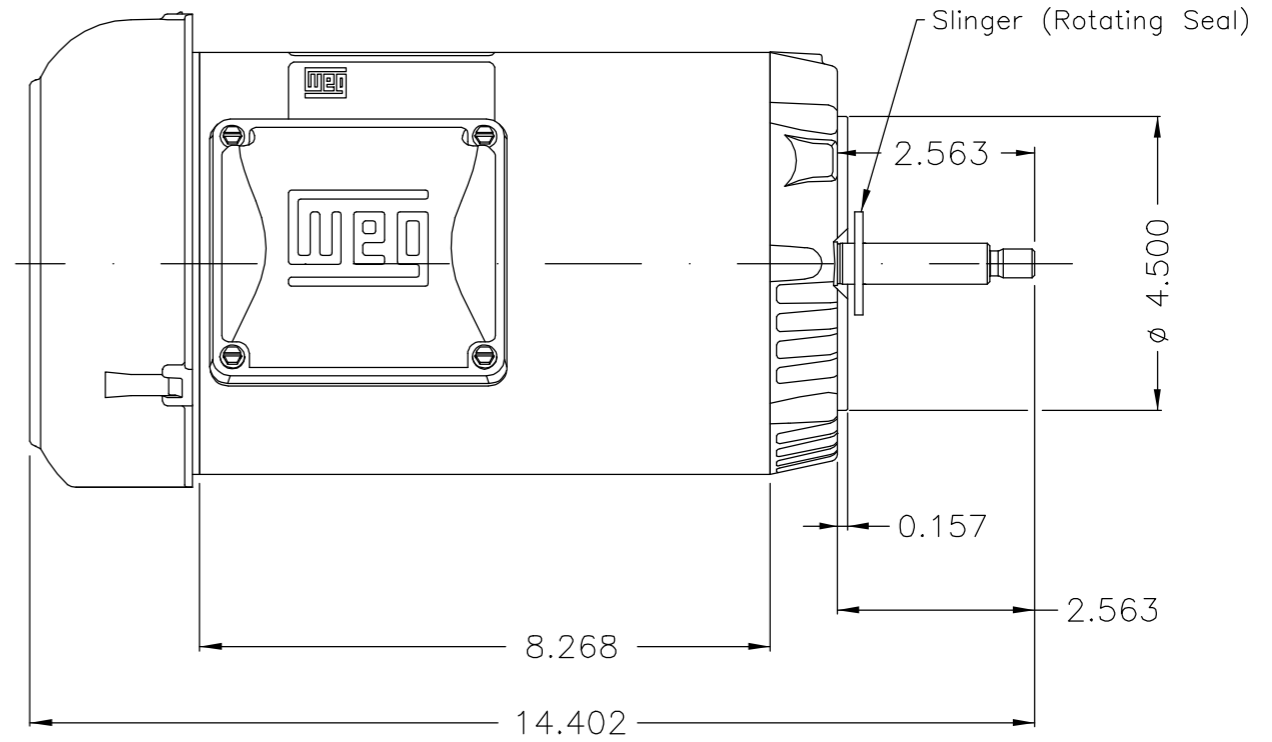
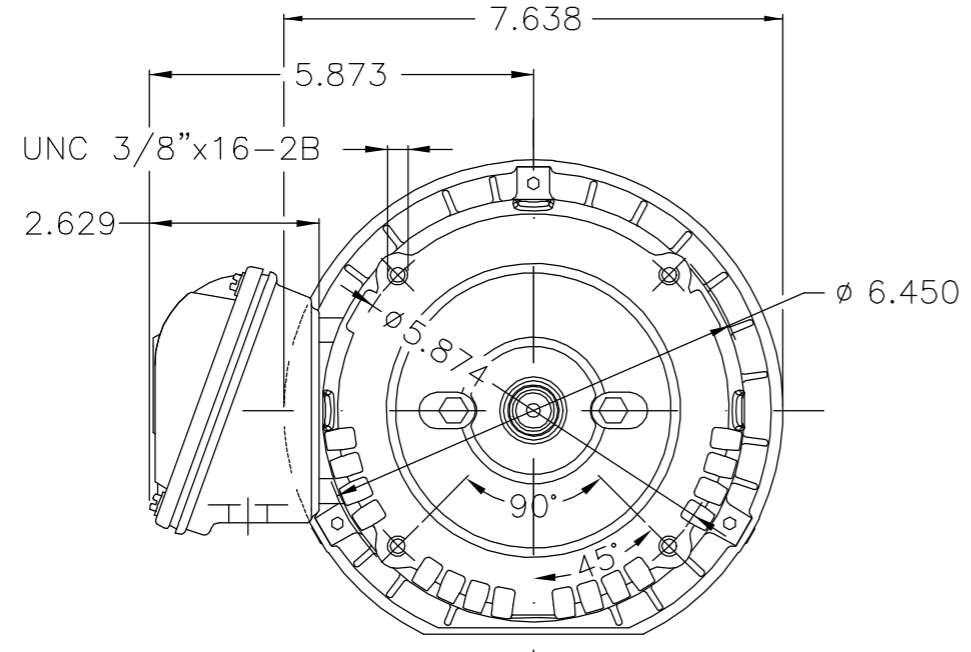
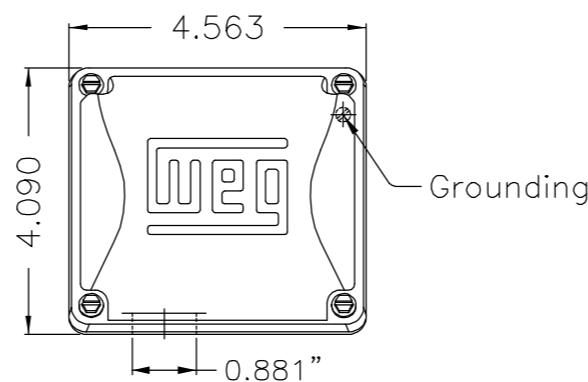


EIXO/SHAFT	
PADRÃO/STANDARD	X
OPCIONAL/OPTIONAL	
ESPECIAL/SPECIAL	

Dimensões em polegada
Dimensions in inches

CERTIFIED WEG MOTORES
Certified document.
Not subject to changes.

THIS IS AN UPDATED REVISION, THE PREVIOUS ONE MUST BE DISREGARDED.



DE Shaft End

Placa de identificação com CSA / Class I, Div 2, Gr A, B, C, D - T3 (Informações conforme documento 10004351127) / Nameplate with CSA marking / Class I, Div 2, Gr A, B, C, D - T3 (Information according document 10004351127)

Forma construtiva B14D / Mounting F-1/B14R(D)
V.J. PAMENSKY CANADA INC.

500001252309		CORRIGIDO NOTA	AKLOSOWSKI	GABRIELID	08.12.2016	01
500001251759		DOCUMENTO NOVO	AKLOSOWSKI	GABRIELID	07.12.2016	00
ECM	LOC	SUMMARY OF MODIFICATIONS	EXECUTED	CHECKED	RELEASED	DATE VER
EXECUTED	AKLOSOWSKI	THREE PHASE MOTOR TEFC ROLLED STEEL			10004648744	
CHECKED		FRAME 56J IP55 TEFC			000 01	
RELEASED	GABRIELID	JET PUMP			000 01	
REL DT	07.12.2016	WMO Jaragua do Sul	Product Engineering	SHEET 01 / 01		

3 HP 02 Poles 60Hz 414501218

A