

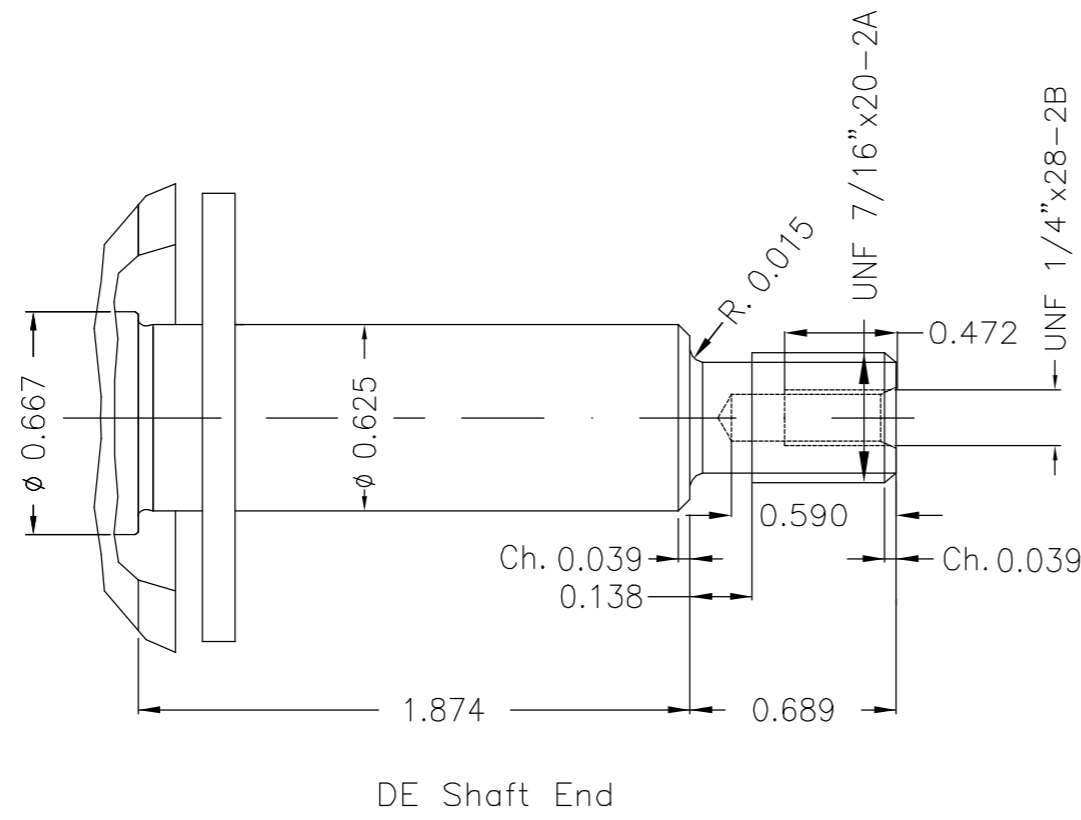
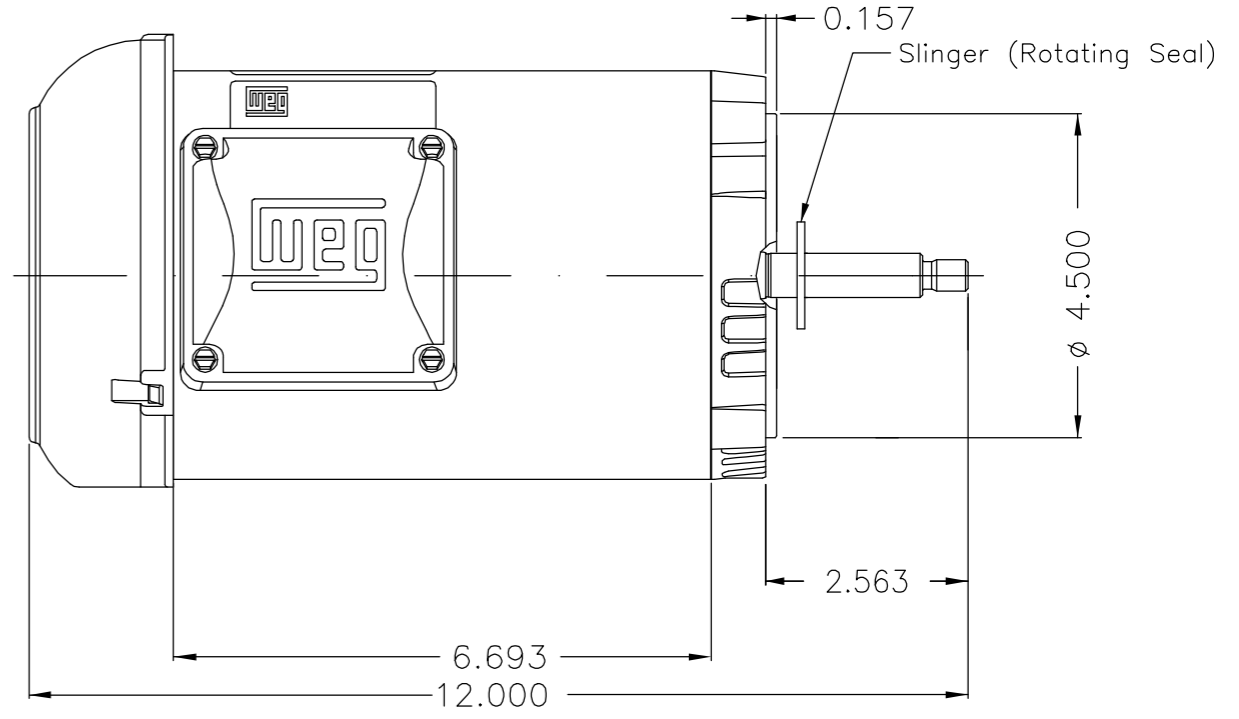
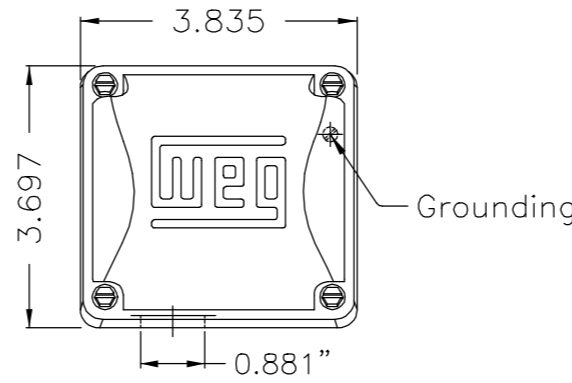
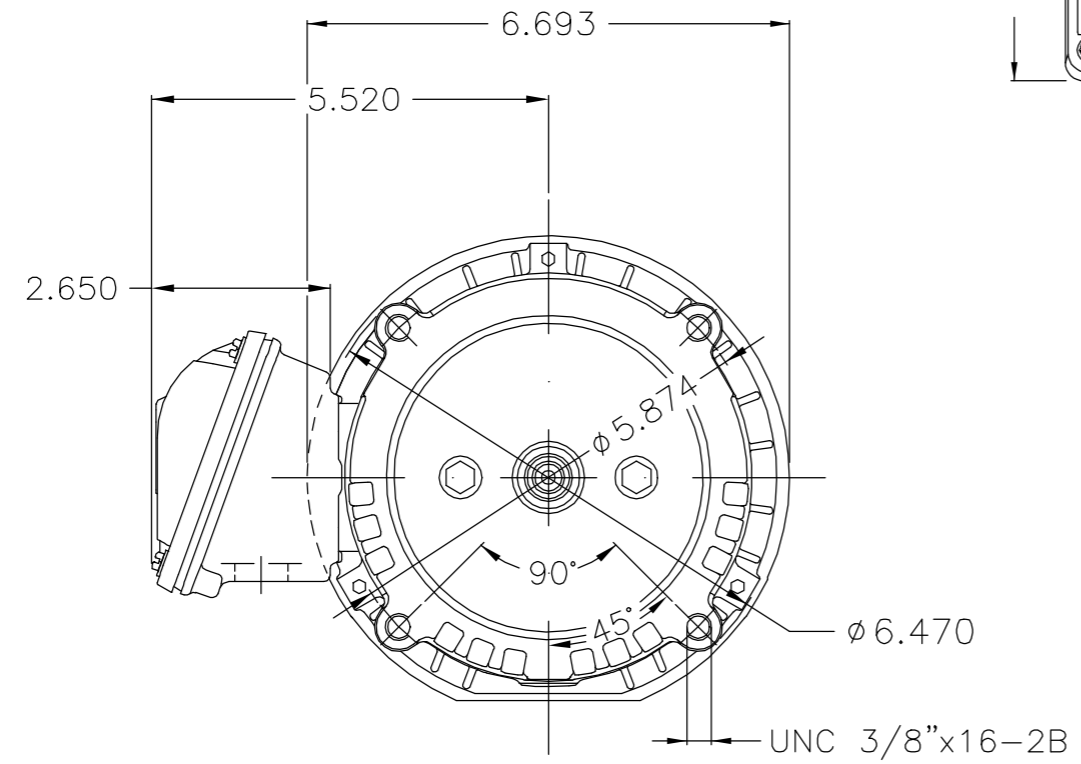
EIXO/SHAFT	
PADRÃO/STANDARD	X
OPCIONAL/OPTIONAL	
ESPECIAL/SPECIAL	

Dimensões em polegada
Dimensions in inches

CERTIFIED WEG MOTORES
Certified document.
Not subject to changes.

THIS IS AN UPDATED REVISION, THE PREVIOUS ONE MUST BE DISREGARDED.

A
B
C
D
E



Placa de identificação com CSA / Class I, Div 2, Gr A, B, C, D - T3 (Informações conforme documento 10004351127) / Nameplate with CSA marking / Class I, Div 2, Gr A, B, C, D - T3 (Information according document 10004351127)

Forma construtiva B14D / Mounting F-1/B14R(D)
V.J. PAMENSKY CANADA INC.

500001255567		ALTERADO CONFORME CLAIM 414509669	AKLOSOWSKI	LGAMA	16.12.2016	02
500001252309		CORRIGIDO NOTA	AKLOSOWSKI	GABRIELID	08.12.2016	01
ECM	LOC	SUMMARY OF MODIFICATIONS	EXECUTED	CHECKED	RELEASED	DATE VER
EXECUTED	AKLOSOWSKI	THREE PHASE MOTOR TEFC ROLLED STEEL FRAME W56J IP55 TEFC JET PUMP	10004648722			
CHECKED			000	02		
RELEASED	GABRIELID		SHEET	01 / 01		
REL DT	07.12.2016	WMO Jaragua do Sul	Product Engineering			

1.5 HP 02 Poles 60Hz 414501155

UNCONTROLLED COPY
RELEASED
ZME A3