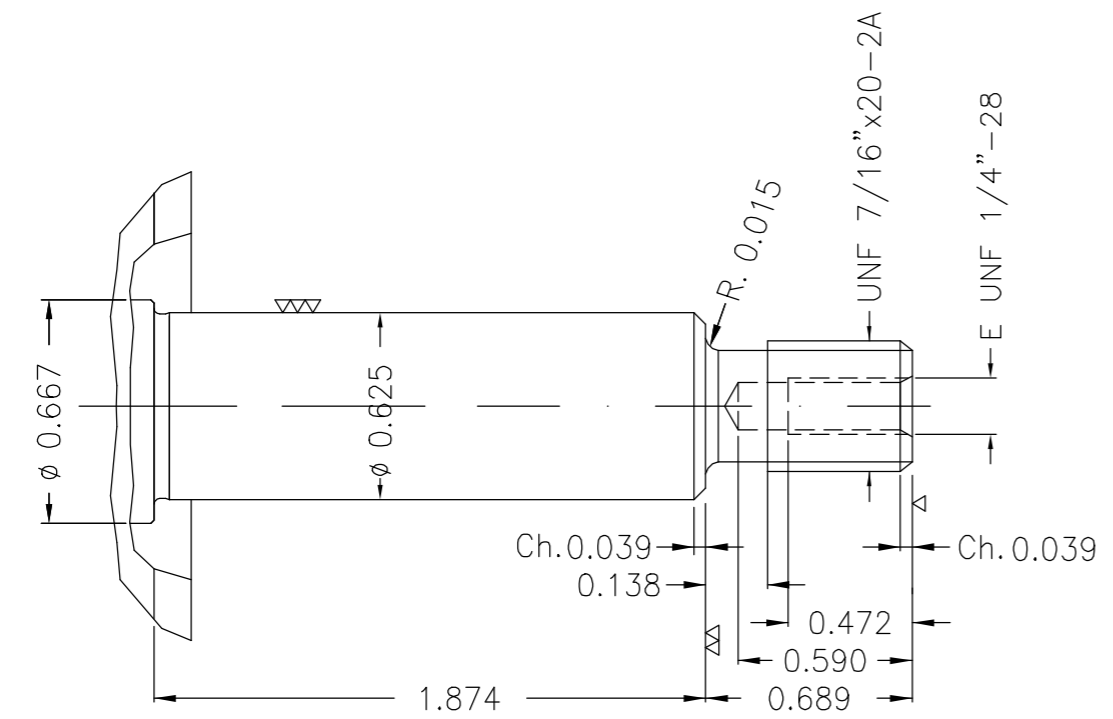
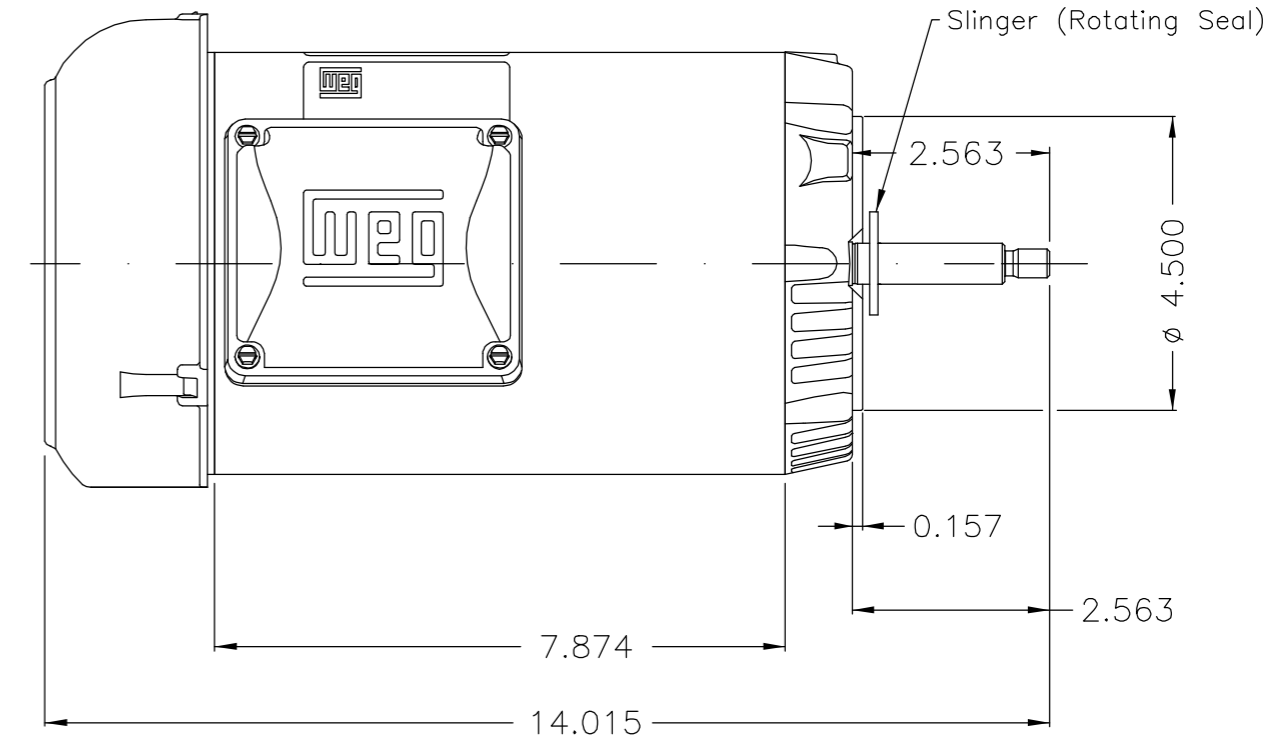
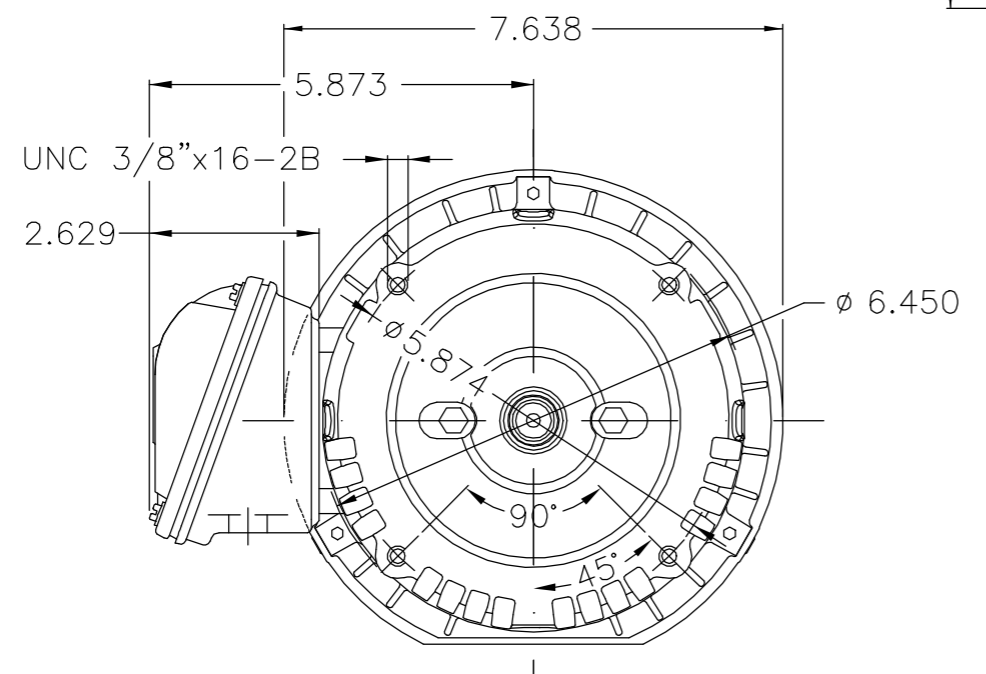
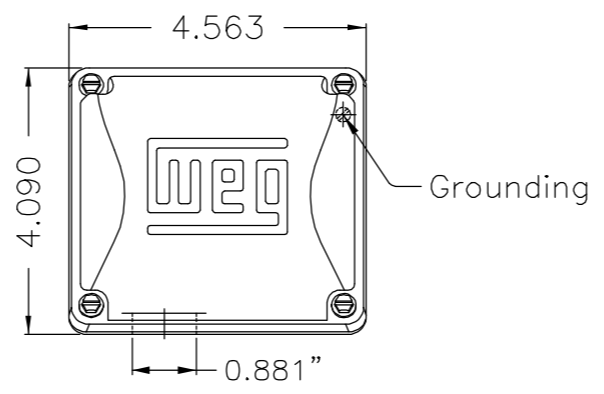


EIXO/SHAFT	
PADRÃO/STANDARD	X
OPCIONAL/OPTIONAL	
ESPECIAL/SPECIAL	

Dimensões em polegada  
Dimensions in inches

THIS IS AN UPDATED REVISION, THE PREVIOUS ONE MUST BE DISREGARDED.



D.E Shaft End

Placa de identificação com CSA / Class I, Div 2, Gr A, B, C, D - T3 (Informações conforme documento 10004351127) / Nameplate with CSA marking / Class I, Div 2, Gr A, B, C, D - T3 (Information according document 10004351127)

Forma construtiva B14D / Mounting F-1/B14R(D)  
**V.J. PAMENSKY CANADA INC.**

500001252309		ALTERADO CONFORME CLAIM 414502648	AKLOSOWSKI	GABRIELID	08.12.2016	01
500001250773		DOCUMENTO NOVO	LUCASSZ	EMERSONRH	05.12.2016	00
ECM	LOC	SUMMARY OF MODIFICATIONS	EXECUTED	CHECKED	RELEASED	DATE VER
EXECUTED	LUCASSZ	THREE PHASE MOTOR TEFC ROLLED STEEL FRAME 56J IP55 TEFC JET PUMP	10004644043			
CHECKED			000	01		
RELEASED	EMERSONRH					
REL DT	05.12.2016	WMO Jaragua do Sul	Product Engineering	SHEET	1 / 1	

2 HP 04 Poles 60Hz 414499082

UNCONTROLLED COPY RELEASED ZME A3