

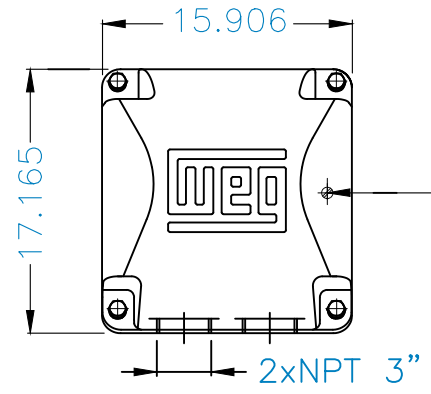
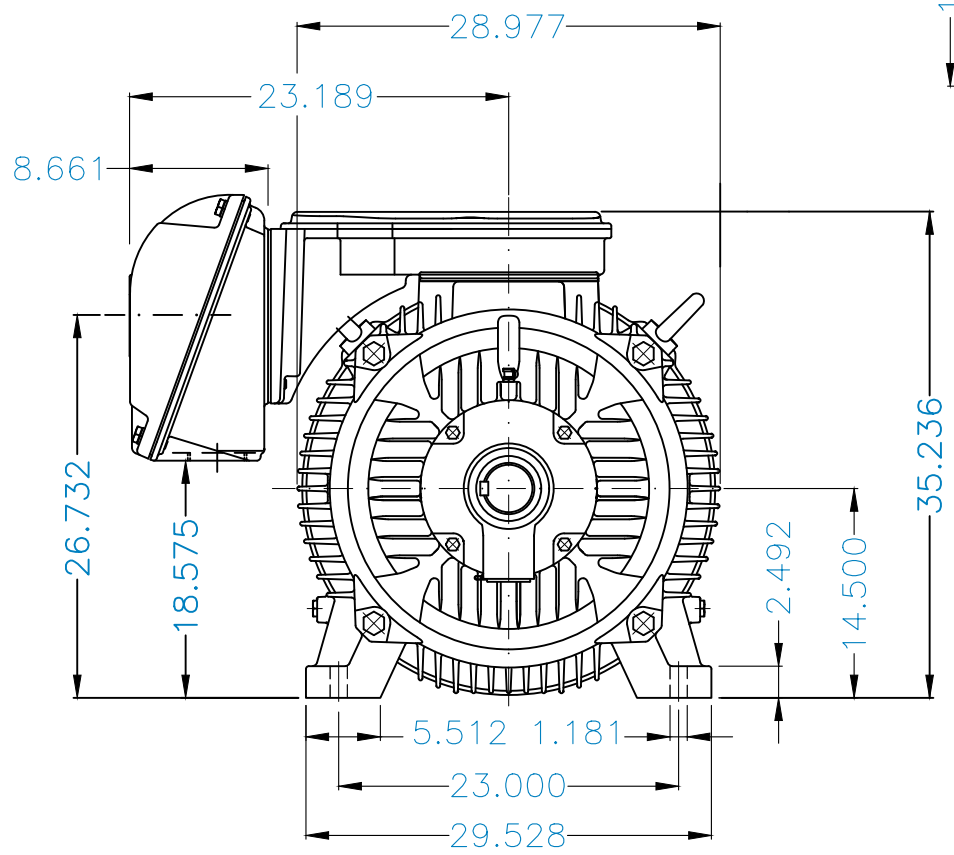
EIXO/SHAFT	
PADRÃO/STANDARD	
OPCIONAL/OPTIONAL	
ESPECIAL/SPECIAL	X

Dimensões em polegada  
Dimensions in inches

**CERTIFIED WEG MOTORES**  
Certified document.  
Not subject to changes.

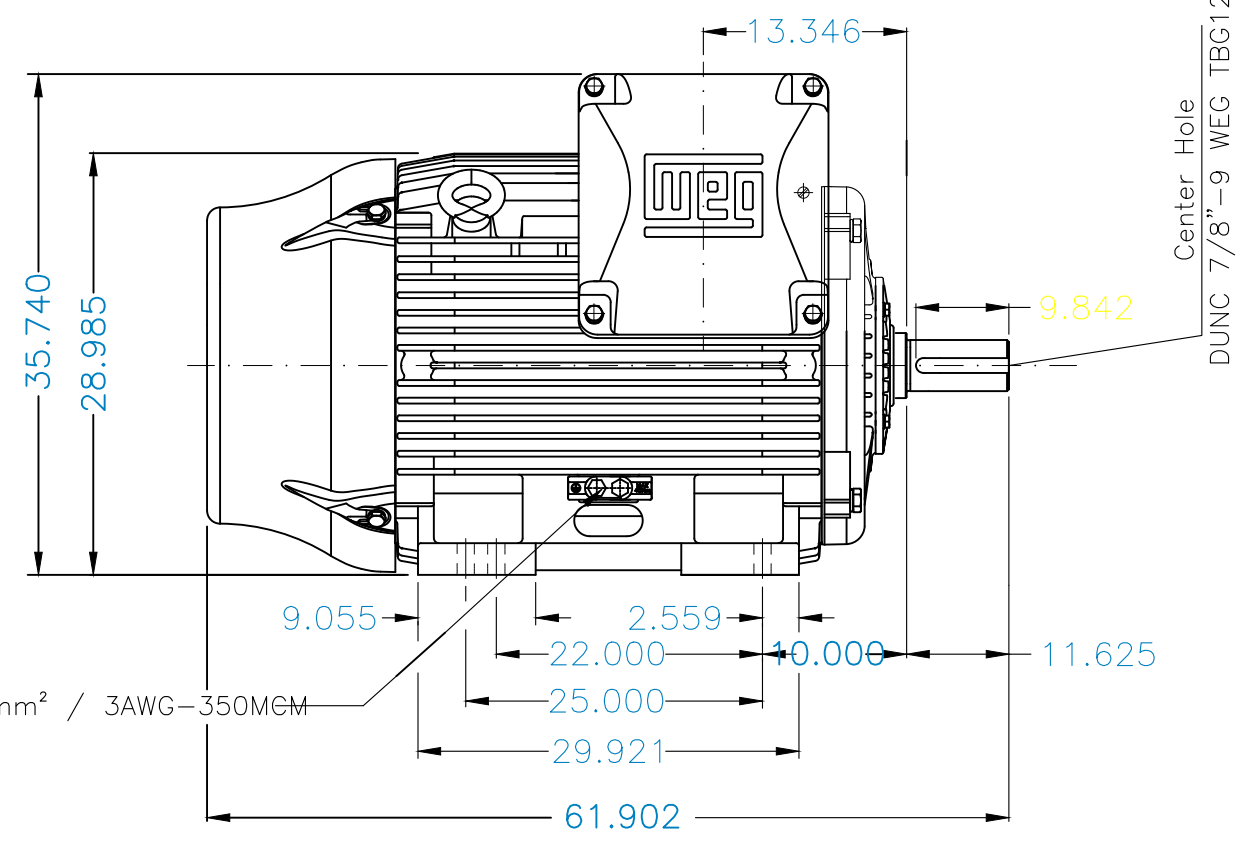
THIS IS AN UPDATED REVISION, THE PREVIOUS ONE MUST BE DISREGARDED.

A  
B  
C  
D  
E

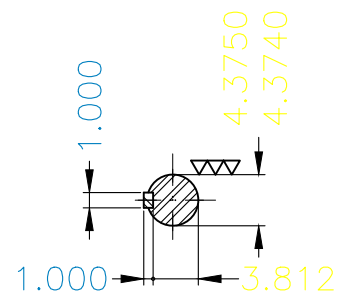


Main terminal box

Grounding for leads 35–120 mm<sup>2</sup> / 1–4/0 AWG

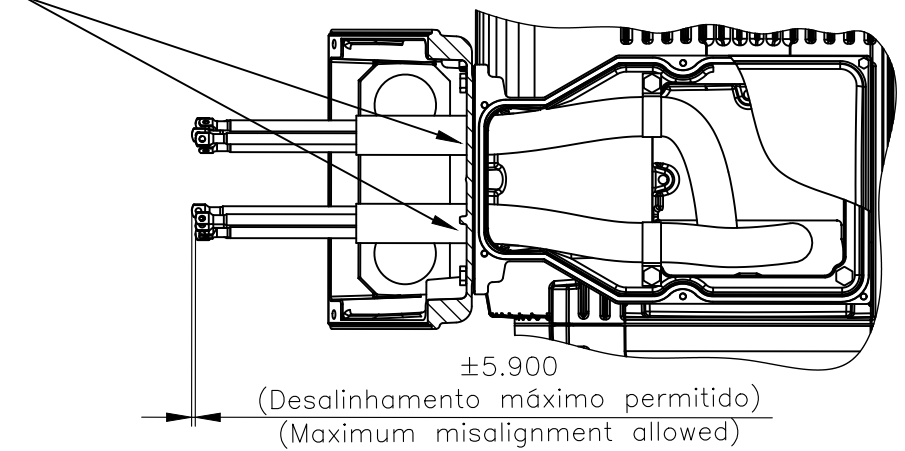


Grounding for leads 25–185 mm<sup>2</sup> / 3AWG–350MCM



DE Shaft End

Fixar o conduíte no suporte com abraçadeiras.  
Fasten the conduit on support with cables ties.



Linha do motor: Crusher Duty / Motor purpose: Crusher Duty
Dispositivo de travamento de eixo / Shaft locking device
Categoria A / Design A
Tampa dianteira especial / Special DE endshield
Preencher com graxa 3/4 do volume interno disponível no anel de fixação interno Fill with grease 3 / 4 of the internal volume available in the internal bearing
Rolamento dianteiro de rolos NU-324 / NU-324 DE roller bearing
Rolamento dianteiro de rolos / DE roller bearing
Tampa traseira com mancal eletricamente isolado NDE endshield with electrically insulated bearing hub
Cor RAL 5009 / Color RAL 5009
Plano de pintura 203A / Painting plan 203A
Forma construtiva NEMA F-1 / Mounting NEMA F-1
Forma construtiva B3D / Mounting B3R(D)

**WEG ELECTRIC CORPORATION - WEG**

500003089492	PCR 100000336465	DOGE	GABRIELID	GABRIELID	19.11.2025	03			
500002620216	ALT CONF CLAIM 422229394	CLAUDEMIRR	SCATOLIN	SCATOLIN	24.04.2024	02			
ECM	LOC	SUMMARY OF MODIFICATIONS			EXECUTED	CHECKED	RELEASED	DATE	VER
EXECUTED	DVEGINI	THREE PHASE W22 MOTOR - NEMA PREMIUM EFF		10004622356					
CHECKED	NSCHMIDT	FRAME 586/7TZ IP55 TEFC		000   03					
RELEASED	NSCHMIDT								
REL DT	23.11.2016	WMO	Jaragua do Sul	Product Engineering	SHEET 1 / 1				

350 HP	04 Poles	60Hz	414481094/0	ELET/MEC	B
300 HP	06 Poles	60Hz	414481009/0	ELET/MEC	A

UNCONTROLLED COPY

RELEASED

ZME A3