

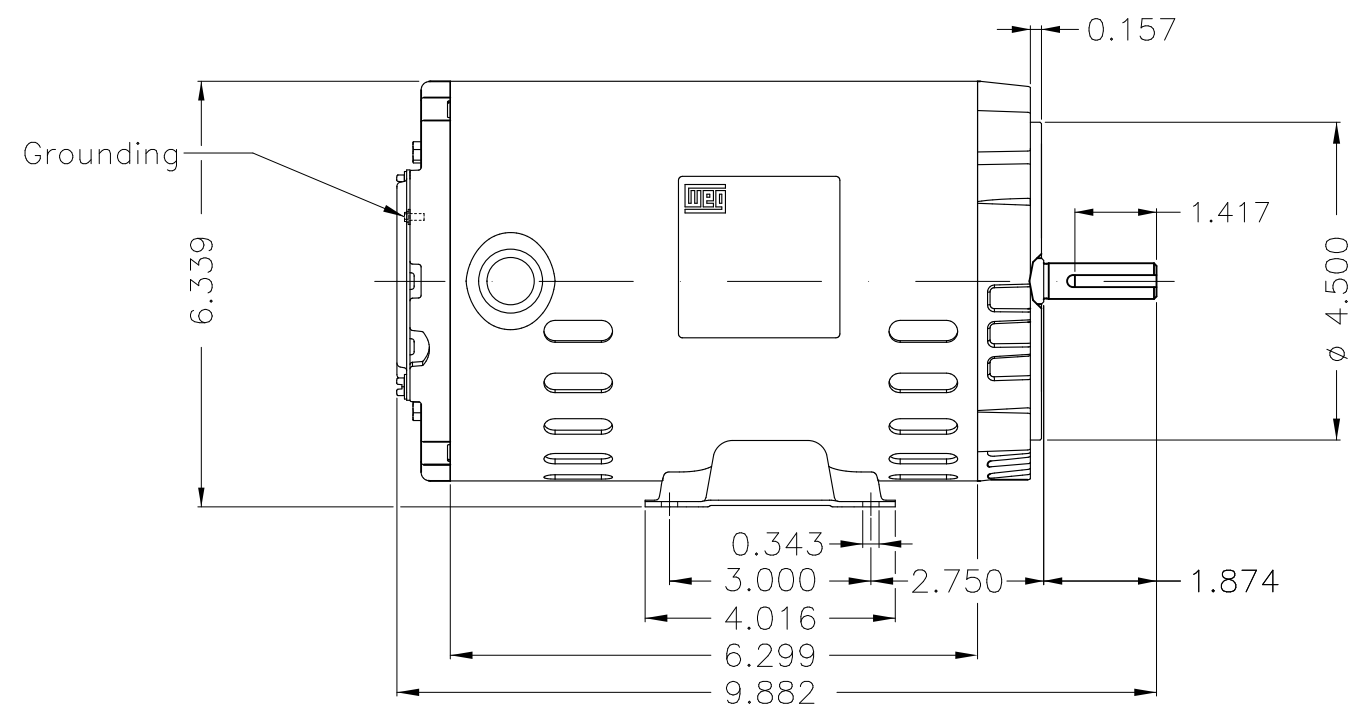
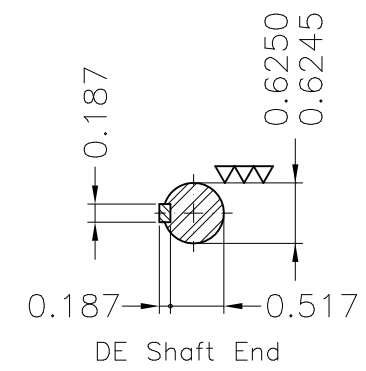
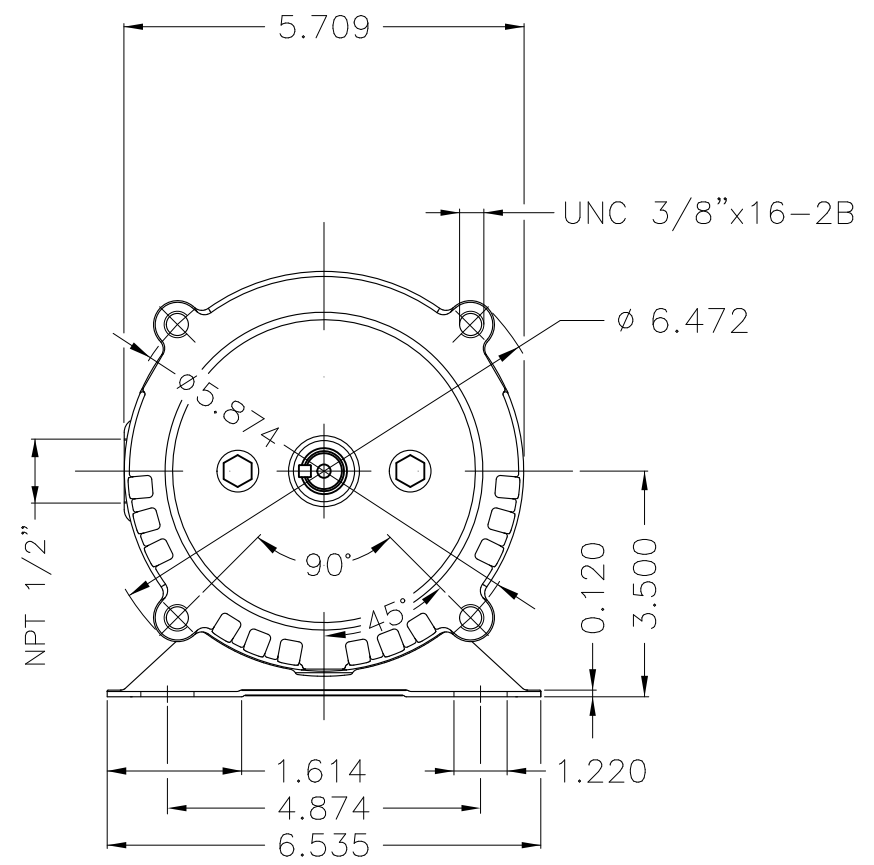
A

B

C

D

E



Color Munsell N 1 matte black
 Painting plan 207N
 Mounting F-1/B34R(D)

ECM	LOC	SUMMARY OF MODIFICATIONS	EXECUTED	CHECKED	RELEASED	DATE	VER
EXECUTED	HYBRISUSER	THREE PH. MOTOR ROLLED STEEL					
CHECKED		FRAME W56C IP21 ODP					
RELEASED							
REL. DATE		WMO Jaragua do Sul					

PREVIEW
 WDD 00
 SHEET 1 / 1



0.5 HP 04 Poles 60 Hz