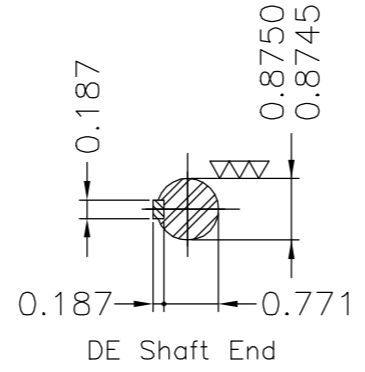
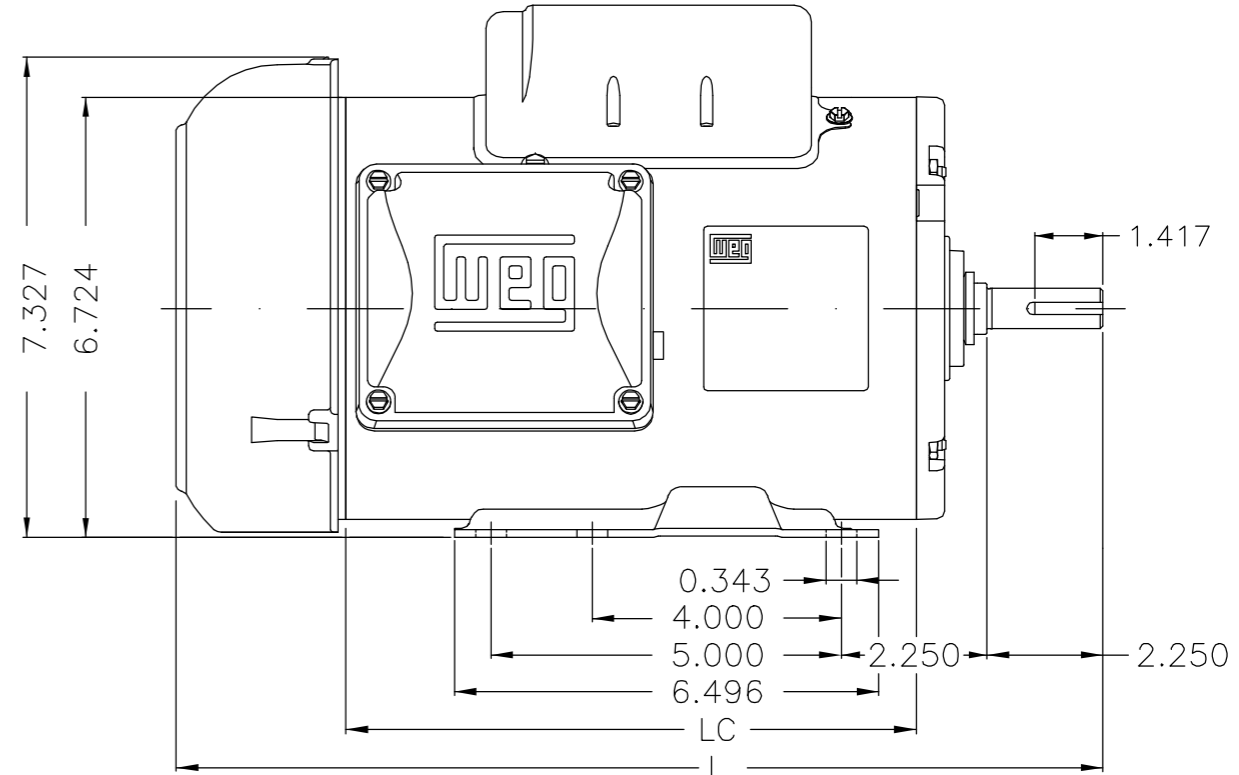
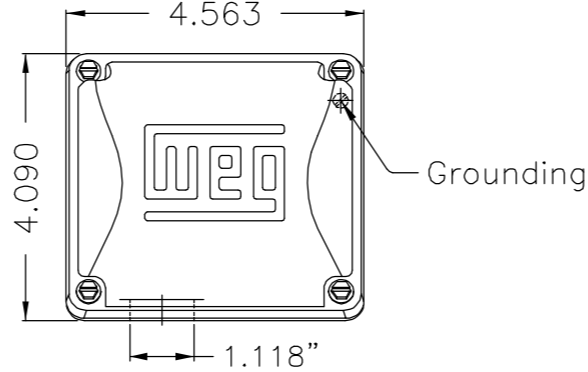
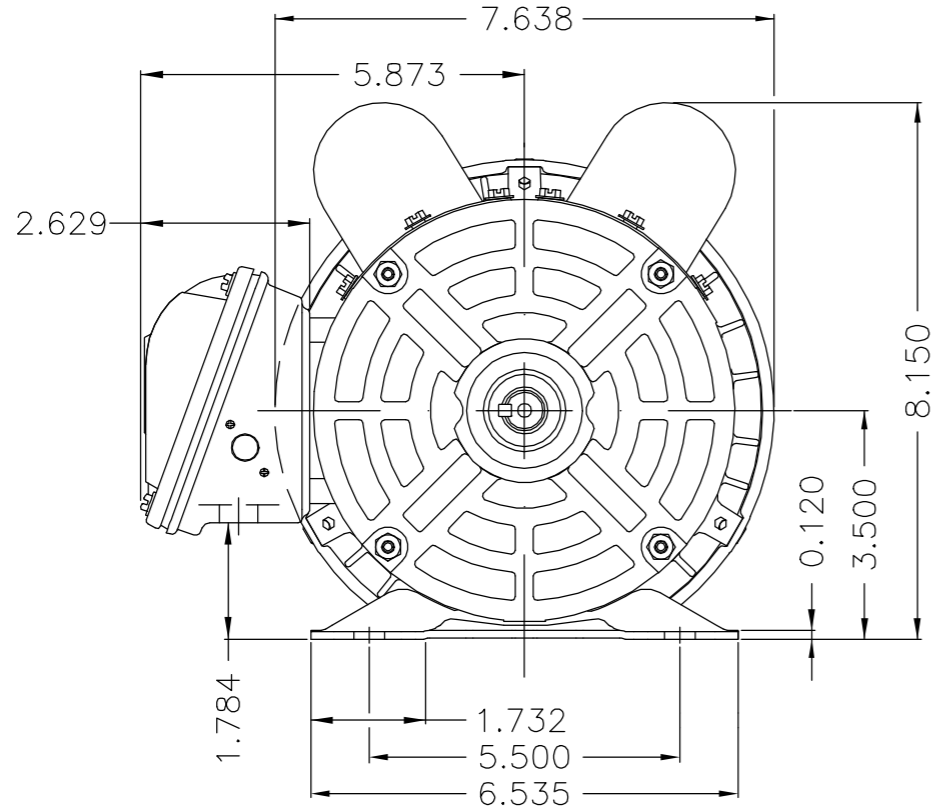


EIXO/SHAFT	
PADRÃO/STANDARD	X
OPCIONAL/OPTIONAL	
ESPECIAL/SPECIAL	

Dimensões em polegadas
Dimensions in inches

THIS IS AN UPDATED REVISION, THE PREVIOUS ONE MUST BE DISREGARDED.

A
B
C
D
E



Rolamentos dianteiro e traseiro de esferas 2RS / 2RS DE and NDE ball bearings
Cor RAL 3003 / Color RAL 3003
Protetor térmico fenólico - manual / Phenolic thermal protector - manual
Forma construtiva B3D / Mounting F-1/B3R(D)

WEG ELECTRIC CORPORATION - WEC

500001884525		Alterado conforme ZM 415176978	SANDRIN	DEYKSON	DEYKSON	08.02.2021	03
500001355979		Alterado conforme ECM	DEYKSON	MENSOR	MENSOR	11.09.2017	02
ECM	LOC	SUMMARY OF MODIFICATIONS	EXECUTED	CHECKED	RELEASED	DATE	VER
EXECUTED	LUCASSZ	SINGLE PHASE MOTOR TEFC ROLLED STEEL FRAME 143/5T IP55 TEFC	10004616171				
CHECKED	EMERSONRH		000	03			
RELEASED	EMERSONRH						
REL DT	21.11.2016	WMO	LINHARES	ENGENHARIA DO PRODUTO	SHEET	1 / 1	

				LC	L	
2.0 HP	04 Poles	60Hz	414471322	10.236	15.945	B
1.5 HP	04 Poles	60Hz	414471255	9.448	15.152	A

UNCONTROLLED COPY
RELEASED
ZME A3